

SPACECRAFT COMPONENTS CORP.

Your Connector Consultant Since 1962

MIL-DTL-22992

- ▶ High Current Capacity
- ▶ Rugged Construction
- ▶ Ease Of Operation



**SPACECRAFT
COMPONENTS CORP.**

CATALOG 900

SPACECRAFT AT A GLANCE

Your Connector
Consultant
Since 1962



Founded in 1962, Spacecraft is a family-owned, leading manufacturer and distributor of cylindrical connectors for the railways/transit, military, aerospace and various harsh environment markets.

As a Manufacturer, Spacecraft's core focus is manufacturing reverse bayonet connectors geared towards railway and transit applications. Our extensive engineering and manufacturing experience with reverse bayonet connectors provides us with the opportunity to offer a broad range of derivative cylindrical products in a short period of time with an assurance of exceptional quality.

As a Distributor, Spacecraft has developed key partnerships with world-class manufacturers whose products encompass MIL-SPEC and harsh environment industrial connectors. We are an authorized MIL-STD-790 value-added assembler for our principal connector manufacturers, such as Souriau, Corsair, Sunbank and Astro Tool Corp. We stock a wide and deep variety of QPL components which enables us to provide a vast assortment of completed QPL connectors within a three-day turnaround.

As an Organization, Spacecraft prides itself on providing consultative service by utilizing our greatest asset: Our people!

Spacecraft invites you to tour our best-in-class facility located in North Las Vegas, Nevada, USA.

Spacecraft's Core Values

- AS9100/ISO 9001 Registered
- MIL-STD-790 Certified
- Technical Solutions Oriented
- A Consultative Sales Team
- Vertically Integrated
- Supporter of the Buy American Act

48 Hour Power

You have our commitment to assemble and deliver stock-to-build products from Souriau and Corsair within 48 Hours.

CIDS (Connector Identification System)

Your Online Source for MIL-SPEC Cylindrical Connectors



- Access to MIL-SPEC Data Sheets in an Instant
- Identify Crimp Tools for Your Contacts
- Identify the Mating Connector
- Identify the Accessories for Your Connector



Exceeding Your Quality Expectations

Spacecraft Components Corp. warrants to the original purchaser that it will correct by replacement any defect in workmanship or in-operation of any component purchased from Spacecraft Components Corp. for the life of the equipment in which the component is originally and properly installed. This agreement and warranty supersedes all other warranties expressed or implied.

Mission Statement

To provide a work environment where our employees can meet their potential and thrive in an atmosphere of excellence by utilizing their strengths and attributes towards supporting our customers, thereby providing superior products and exceptional service which helps our customers gain a competitive advantage in their markets.

Locations

Nevada Headquarters 702.851.7600
Florida Office 954.748.4540
South Carolina Office 954.748.4540
Italy Office +39 (335) 719.4512



MULTI-PIN CYLINDRICAL POWER CONNECTORS MIL-DTL-22992

© 2019 Spacecraft Components Corp., North Las Vegas, Nevada 89032

Catalog 900 Table of Contents

MIL-DTL-22992 Series Connectors	1L-1
Insert Arrangements by Shell Size	2L-1
Insert Arrangements by Number of Contacts	3L-1
MIL-DTL-22992 Technical Data and Contacts	4L-1
MIL-DTL-22992 Solder Contacts	4L-2
MIL-DTL-22992 Crimp F80 Contacts	4L-4
Coaxial Contacts	4L-5
MIL-DTL-22992 Crimp Contact Tooling for F80 Contacts	4L-8
Thermocouple Contacts	4L-10
MIL-DTL-22992 Connector Accessory Quick Reference	5L-1
Cross Reference/Index	7L-1



Helping you Keep Costs Down

SPACECRAFT COMPONENTS CORP
Serving Connector Users Since 1962

Multi-Pin Cylindrical Connectors with Integrated Backshells for Banding, Over Molding or Shrink Boot Applications

The benefits of using an integrated backshell connector:

- ▶ Elimination of a component
- ▶ Weight reduction
- ▶ Reduced cost
- ▶ Shorter overall length of the connector

Secure Tension
Locking System

Easy to
Terminate



MIL-DTL-38999
SC3924SV



MIL-DTL-5015
SC50SV



VG95234 Type
SCPB00SV



MIL-DTL-26482
SC76SV

 **SPACECRAFT**
COMPONENTS CORP.

CATALOG 601

Spacecraft has a wide range of specialized products aimed at providing our customers with solutions to a wide range of issues, whether it be harsh environments, quick connect/disconnect needs, vibration resistance, and so much more.

Contact Spacecraft to discover what solutions we can offer you, or visit our website to view our line of specialized products.

 **SPACECRAFT**
COMPONENTS CORP.

702-851-7600

www.spacecraft.com

SECTION 1L

MIL-DTL-22992

CONNECTORS

- HIGH CURRENT CAPACITY for power distribution network and inputs into large equipment.
- RUGGED CONSTRUCTION consists of high strength machined aluminum shells with a choice of either a conductive or non-conductive finish. Shock resistant resilient inserts. Gaskets and/or "O" rings at appropriate surfaces for perfect weathertight connections.
- EASE OF OPERATION with fast coupling, double stub threads, left hand accessory threads and five keyway mating.
- INSERT AVAILABILITY - Both MS and custom insert patterns available to accommodate a wide variety of multiconductor cables.
- Equivalent to the Amphenol/Bendix QWLD as well as the ITT Cannon CWLD Series.

OPERATING CHARACTERISTICS

CONDITION	CONFIGURATION	DESCRIPTION	REFERENCE
DURABILITY	MATED	500 complete mating/unmating cycles	MIL-DTL-22992
FLUID IMMERSION	UNMATED	20 hours immersion in hydraulic fluid and lubricating oil	MIL-DTL-22992
HIGH IMPACT	MATED	Nine hammer blows from 1, 3 and 5 feet, three each in three axes on mounting panel	MIL-STD-202 method 207
MOISTURE RESISTANCE (Cable mounted connectors)	MATED	Ten complete 24 hour cycles of +25°C to +65°C temperature at 90% to 98% humidity	MIL-STD-202 method 106
SALT SPRAY (CORROSION)	UNMATED	48 hour exposure to atomized 5% saline solution at +35°C	MIL-STD-1344 method 1001
THERMAL SHOCK	UNMATED	Five complete one hour temperature cycles of -55°C to +125°C	MIL-STD-1344 method 1003 test condition
VIBRATION	MATED	10 TO 55 Hz, 06 inch total excursion in 1 minute cycles for 6 hours 55 to 2000 Hz, 10G peak amplitude sweep	MIL-STD-1344 method 2005
WATER IMMERSION	MATED	4 hours immersion at 1 atmosphere pressure differential	MIL-DTL-22992



SWLD SERIES

ORDERING INFORMATION

MIL-DTL-22992 CLASS C, J OR R

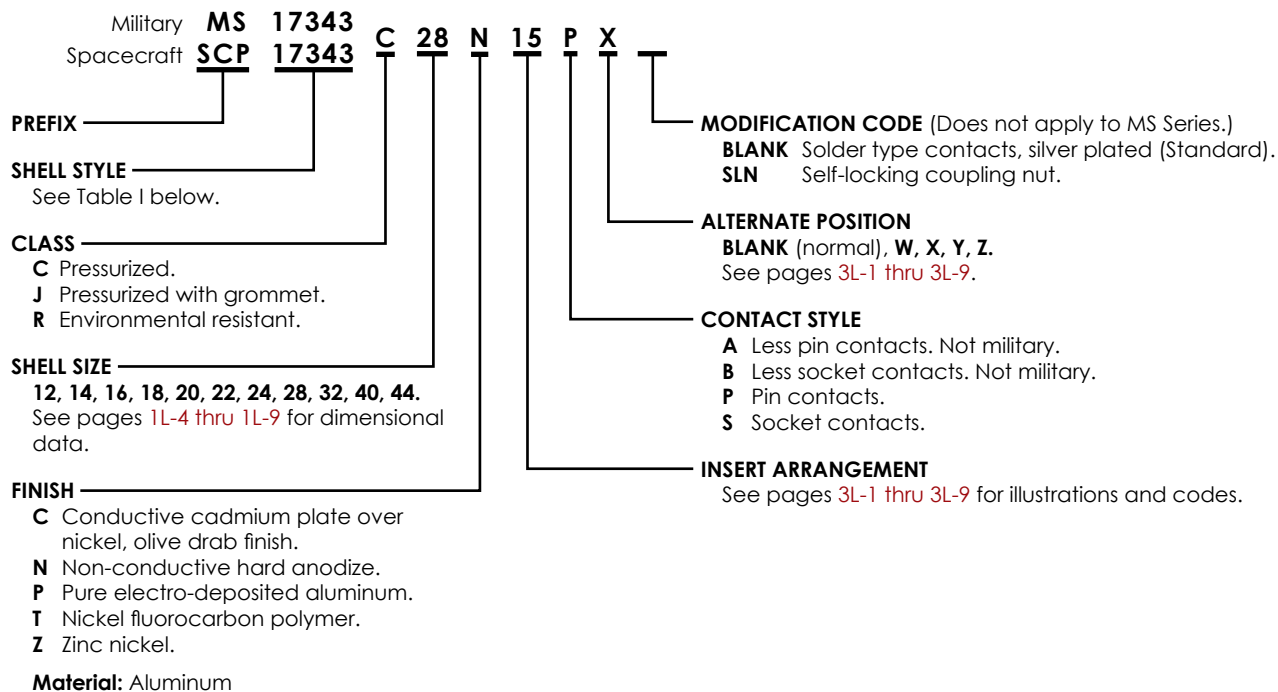


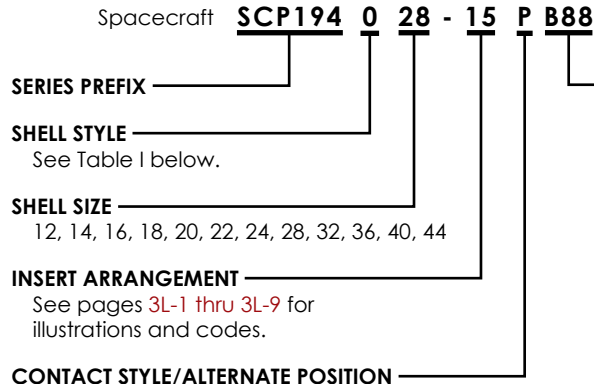
TABLE I. SHELL STYLE

SHELL STYLE		DESCRIPTION	SEE PAGE
MILITARY	SPACECRAFT		
MS17343	SCP17343	Wall mount receptacle	1L-4
MS17344	SCP17344	Plug	1L-5
MS17345	SCP17345	In-line receptacle	1L-6
MS17346	SCP17346	Box mount receptacle	1L-7
MS17347	SCP17347	Jam nut receptacle, wall mount	1L-8
MS17348	SCP17348	Jam nut receptacle, box mount	1L-9



SWLD SERIES

ORDERING INFORMATION



This Series utilizes a single letter code for both Contact Style and Alternate Position. Select the code from the Table below. See pages 3L-1 thru 3L-9 for Alternate Positions available for each Insert Configuration.

CODE		ALTERNATE POSITION
PIN	SOCKET	
P	S	NORMAL
G	H	W
I	J	X
K	L	Y
M	N	Z

MODIFICATION CODE

- BLANK** Solder type contacts, silver plated (Standard).
- B68** Solder type contacts, plated .00005 gold over silver. Size 8, 4 and 1/0 contacts have filled solder pots.
- B75** Crimp type contacts, silver plated.
- B80** Less contacts.
- B81** Crimp type contacts, plated .0001 gold over silver.
- B82** Crimp type contacts for MIL-C-13777 cable, silver plated.
- B83** Crimp type contacts for MIL-C-13777 cable, plated .0001 gold over silver.
- B85** Crimp type contacts plated .00005 gold over silver.

The above modifications utilize connector shells with a non-conductive hard anodize finish Alumilite 225® over aluminum.

- B88** Solder contact, olive drab plating over nickel conductive finish.

TABLE I. SHELL STYLE

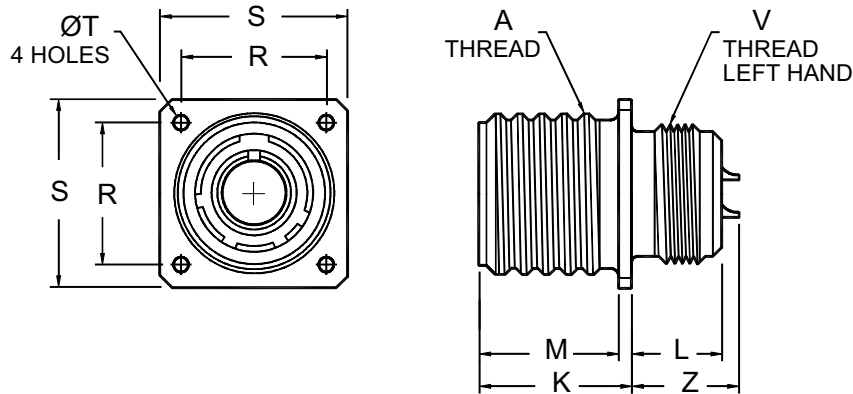
SHELL STYLE	DESCRIPTION	SEE PAGE
SCP1940	Wall mount receptacle	1L-4
SCP1941	In-line receptacle	1L-6
SCP1942	Box mount receptacle	1L-7
SCP1943	Jam nut receptacle, wall mount	1L-8
SCP1946	Plug	1L-5
SCP1949	Jam nut receptacle, box mount	1L-9

WALL MOUNT RECEPTACLE

MS17343

SCP1940

SCP17343



Military Spacecraft
SCP1940* **Environmental**
MS17343* **SCP17343*** **Environmental**

SHELL SIZE	A THREAD CLASS 2A	K +.021 -.020 [+0.53] [-0.51]	L ±.020 [±0.51]	M +.010 -.000 [+0.25] [-0.00]	R (TP)	S +.021 -.020 [+0.53] [-0.51]	T ±.005 [±0.13]	V THREAD CLASS 2A-LH	Z	
									MAX.	MIN.
									②	(SIZE 0 ONLY)
12	.875-0.1P-0.2L-DS	.938 [23.83]	.640 [16.26]	.797 [20.24]	.906 [23.01]	1.188 [30.18]	.150 [3.81]	.7500-20 UNEF	.726 [18.44]	NA
14	1.0000-0.1P-0.2L-DS	.938 [23.83]	.640 [16.26]	.797 [20.24]	.969 [24.61]	1.281 [32.54]	.150 [3.81]	.8750-20 UNEF	.726 [18.44]	
16	1.1250-0.1P-0.2L-DS	.938 [23.83]	.640 [16.26]	.797 [20.24]	1.062 [26.97]	1.375 [34.92]	.150 [3.81]	1.0000-20 UNEF	.726 [18.44]	
18	1.2500-0.1P-0.2L-DS	.953 [24.21]	.625 [15.87]	.797 [20.24]	1.156 [29.36]	1.500 [38.10]	.177 [4.50]	1.1250-18 UNEF	.711 [18.06]	
20	1.3750-0.1P-0.2L-DS	.953 [24.21]	.625 [15.87]	.797 [20.24]	1.250 [31.75]	1.625 [41.27]	.177 [4.50]	1.2500-18 UNEF	.711 [18.06]	.780 [19.81]
22	1.5000-0.1P-0.2L-DS	.953 [24.21]	.625 [15.87]	.797 [20.24]	1.375 [34.92]	1.750 [44.45]	.177 [4.50]	1.3750-18 UNEF	.711 [18.06]	
24	1.7500-0.1P-0.2L-DS	1.047 [26.59]	.594 [15.09]	.859 [21.82]	1.562 [39.67]	2.000 [50.80]	.177 [4.50]	1.6250-18 UNEF	.617 [15.67]	.686 [17.42]
28	2.0000-0.1P-0.2L-DS	1.047 [26.59]	.594 [15.09]	.859 [21.82]	1.750 [44.45]	2.250 [57.15]	.177 [4.50]	1.8750-16 UN	.617 [15.67]	
32	2.2500-0.1P-0.2L-DS	1.111 [28.22]	.530 [13.46]	.922 [23.42]	1.938 [49.23]	2.500 [63.50]	.209 [5.31]	2.0625-16 UN	.553 [14.05]	.622 [15.80]
36	2.5000-0.1P-0.2L-DS	1.111 [28.22]	.530 [13.46]	.922 [23.42]	2.188 [55.58]	2.750 [69.85]	.209 [5.31]	2.3125-16 UN	.553 [14.05]	.622 [15.80]
40	2.7500-0.1P-0.2L-DS	1.111 [28.22]	.703 [17.86]	.922 [23.42]	2.375 [60.32]	3.000 [76.20]	.209 [5.31]	2.6250-16 UN	.553 [14.05]	.622 [15.80]
44	3.0000-0.1P-0.2L-DS	1.109 [28.17]	.703 [17.86]	.922 [23.42]	2.625 [66.67]	3.250 [82.55]	.209 [5.31]	2.8750-16 UN	.797 [20.24]	.622 [15.80]

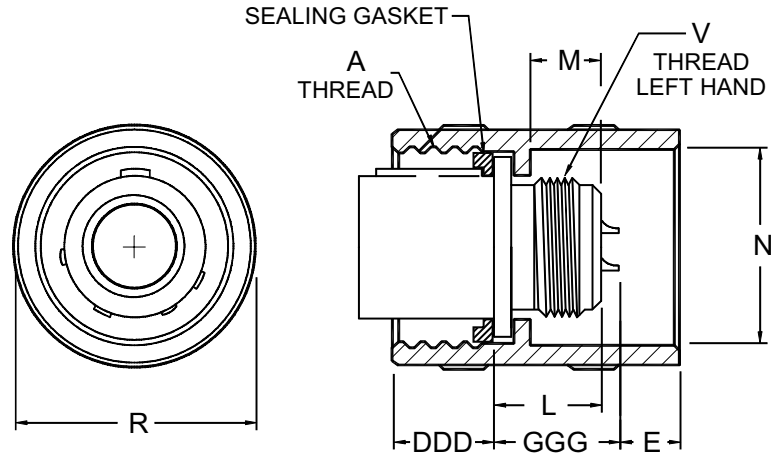
Dimensions in brackets [] are in millimeters.

② For size 0 contacts only, increase Z dimension by .312 [7.92] for shell sizes 12 thru 40, and by .062 [1.57] for shell size 44.



MS17344 SCP1946 SCP17344

1L



Military Spacecraft
SCP1946* Environmental
MS17344* **SCP17344*** Environmental

SHELL SIZE	A THREAD CLASS 2B	E MAX.	L +.011 -.010 [+0.28] [-0.25]	M ±.031 [±0.79]	ØN +.010 -.001 [+0.25] [-0.03]	ØR MAX.	V THREAD CLASS 2A-LH	DDD	GGG MAX.
12	.875-0.1P-0.2L-DS	.100 [2.54]	.738 [18.75]	.529 [13.44]	.985 [25.02]	1.156 [29.36]	.7500-20 UNEF	.655/.593 [16.64/15.06]	.898 [22.81]
14	1.0000-0.1P-0.2L-DS	.100 [2.54]	.738 [18.75]	.529 [13.44]	1.109 [28.17]	1.281 [32.54]	.8750-20 UNEF	.655/.593 [16.64/15.06]	.898 [22.81]
16	1.1250-0.1P-0.2L-DS	.150 [3.81]	.738 [18.75]	.529 [13.44]	1.235 [31.37]	1.469 [37.31]	1.0000-20 UNEF	.655/.593 [16.64/15.06]	.898 [22.81]
18	1.2500-0.1P-0.2L-DS	.275 [6.98]	.738 [18.75]	.529 [13.44]	1.359 [34.52]	1.563 [39.70]	1.1250-18 UNEF	.655/.593 [16.64/15.06]	.898 [22.81]
20	1.3750-0.1P-0.2L-DS	.275 [6.98]	.738 [18.75]	.529 [13.44]	1.485 [37.72]	1.688 [42.88]	1.2500-18 UNEF	.655/.593 [16.64/15.06]	.898 [22.81]
22	1.5000-0.1P-0.2L-DS	.275 [6.98]	.738 [18.75]	.529 [13.44]	1.609 [40.87]	1.844 [46.84]	1.3750-18 UNEF	.655/.593 [16.64/15.06]	.898 [22.81]
24	1.7500-0.1P-0.2L-DS	.275 [6.98]	.800 [20.32]	.529 [13.44]	1.859 [47.22]	2.094 [53.19]	1.6250-18 UNEF	.655/.593 [16.64/15.06]	.898 [22.81]
28	2.0000-0.1P-0.2L-DS	.275 [6.98]	.800 [20.32]	.529 [13.44]	2.109 [53.57]	2.344 [59.54]	1.8750-16 UN	.655/.593 [16.64/15.06]	.898 [22.81]
32	2.2500-0.1P-0.2L-DS	.275 [6.98]	.875 [22.22]	.529 [13.44]	2.359 [59.92]	2.594 [65.89]	2.0625-16 UN	.677/.610 [17.20/15.49]	.898 [22.81]
36	2.5000-0.1P-0.2L-DS	.300 [7.62]	.875 [22.22]	.529 [13.44]	2.609 [66.27]	2.844 [72.24]	2.3125-16 UN	.701/.634 [17.80/16.10]	.898 [22.81]
40	2.7500-0.1P-0.2L-DS	.100 [2.54]	1.041 [26.44]	.717 [18.21]	2.922 [74.22]	3.156 [80.16]	2.6250-16 UN	.679/.618 [17.25/15.70]	.898 [22.81]
44	3.0000-0.1P-0.2L-DS	.109 [2.77]	1.041 [26.44]	.717 [18.21]	3.172 [80.57]	3.406 [86.51]	2.8750-16 UN	.679/.618 [17.25/15.70]	1.062 [26.97]

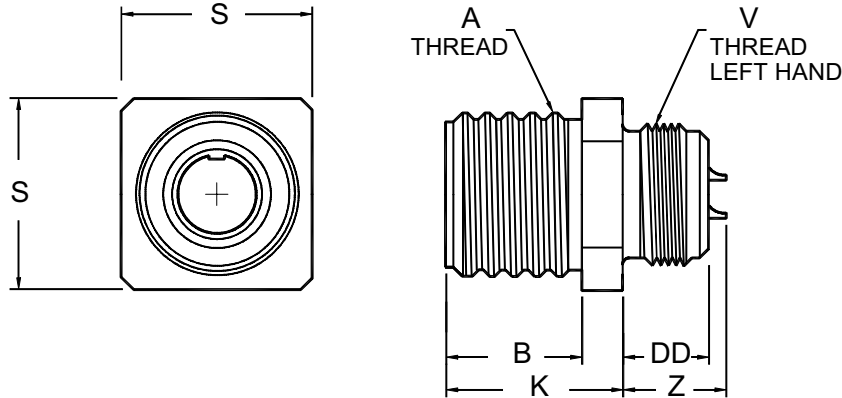
Dimensions in brackets [] are in millimeters.
 Front and rear washers supplied for sizes 32 and 36 only.
 Rear washers only for sizes 40 and 44.

IN-LINE RECEPTACLE

MS17345

SCP1941

SCP17345



Military Spacecraft
MS17345* **SCP1941*** **Environmental**
SCP17345* **Environmental**

SHELL SIZE	A THREAD CLASS 2A	B +.016 -.000 [+0.41] [-0.00]	K +.021 -.020 [+0.53] [-0.51]	S +.021 -.020 [+0.53] [-0.51]	V THREAD CLASS 2A-LH	DD ±.010 [±0.25]	Z	
							MAX.	MIN.
							②	(SIZE 0 ONLY)
12	.875-0.1P-0.2L-DS	.688 [17.48]	.938 [23.83]	1.000 [25.40]	.7500-20 UNEF	.641 [16.28]	.726 [18.44]	NA
14	1.0000-0.1P-0.2L-DS	.688 [17.48]	.938 [23.83]	1.094 [27.79]	.8750-20 UNEF	.641 [16.28]	.726 [18.44]	
16	1.1250-0.1P-0.2L-DS	.688 [17.48]	.938 [23.83]	1.281 [32.54]	1.0000-20 UNEF	.641 [16.28]	.726 [18.44]	
18	1.2500-0.1P-0.2L-DS	.703 [17.86]	.953 [24.21]	1.375 [34.92]	1.1250-18 UNEF	.625 [15.87]	.711 [18.06]	
20	1.3750-0.1P-0.2L-DS	.703 [17.86]	.953 [24.21]	1.500 [38.10]	1.2500-18 UNEF	.625 [15.87]	.711 [18.06]	.780 [19.81]
22	1.5000-0.1P-0.2L-DS	.703 [17.86]	.953 [24.21]	1.625 [41.27]	1.3750-18 UNEF	.625 [15.87]	.711 [18.06]	.717 [18.21]
24	1.7500-0.1P-0.2L-DS	.766 [19.46]	1.016 [25.81]	1.875 [47.62]	1.6250-18 UNEF	.625 [15.87]	.648 [16.46]	
28	2.0000-0.1P-0.2L-DS	.766 [19.46]	1.016 [25.81]	2.125 [53.97]	1.8750-16 UN	.625 [15.87]	.648 [16.46]	
32	2.2500-0.1P-0.2L-DS	.703 [17.86]	1.078 [27.38]	2.375 [60.32]	2.0625-16 UN	.563 [14.30]	.576 [14.63]	.655 [16.64]
36	2.5000-0.1P-0.2L-DS	.703 [17.86]	1.078 [27.38]	2.625 [66.67]	2.3125-16 UN	.563 [14.30]	.576 [14.63]	.655 [16.64]
40	2.7500-0.1P-0.2L-DS	.703 [17.86]	1.078 [27.38]	3.000 [76.20]	2.6250-16 UN	.703 [17.86]	.576 [14.63]	.655 [16.64]
44	3.0000-0.1P-0.2L-DS	.703 [17.86]	1.078 [27.38]	3.250 [82.55]	2.8750-16 UN	.703 [17.86]	.797 [20.24]	.655 [16.64]

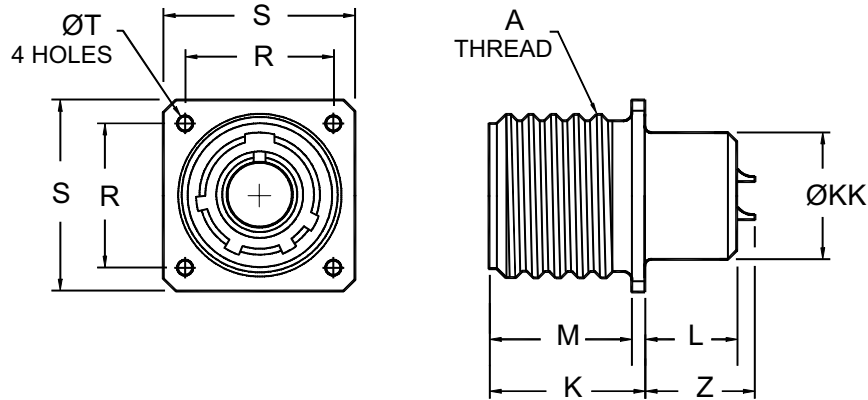
Dimensions in brackets [] are in millimeters.

② For size 0 contacts only, increase Z dimension by .312 [7.92] for shell sizes 12 thru 40, and by .062 [1.57] for shell size 44.



BOX MOUNT RECEPTACLE

MS17346
SCP1942
SCP17346



Military Spacecraft
MS17346* **SCP1942*** **SCP17346*** **Environmental**
Environmental

SHELL SIZE	A THREAD CLASS 2A	K +.021 -.010 [+0.53] [-0.25]	L +.020 -.030 [+0.51] [-0.76]	M +.010 -.000 [+0.25] [-0.00]	R (TP)	S +.021 -.020 [+0.53] [-0.51]	T ±.005 [±0.13]	ØKK +.011 -.010 [+0.30] [-0.25]	Z	
									MAX.	MIN.
									②	(SIZE 0 ONLY)
12	.875-0.1P-0.2L-DS	.938 [23.83]	.640 [16.26]	.797 [20.24]	.906 [23.01]	1.188 [30.18]	.150 [3.81]	.640 [16.26]	.738 [18.75]	NA
14	1.0000-0.1P-0.2L-DS	.938 [23.83]	.640 [16.26]	.797 [20.24]	.969 [24.61]	1.281 [32.54]	.150 [3.81]	.765 [19.43]	.738 [18.75]	
16	1.1250-0.1P-0.2L-DS	.938 [23.83]	.640 [16.26]	.797 [20.24]	1.062 [26.97]	1.375 [34.92]	.150 [3.81]	.890 [22.61]	.738 [18.75]	
18	1.2500-0.1P-0.2L-DS	.953 [24.21]	.625 [15.87]	.797 [20.24]	1.156 [29.36]	1.500 [38.10]	.177 [4.50]	1.015 [25.78]	.723 [18.36]	
20	1.3750-0.1P-0.2L-DS	.953 [24.21]	.625 [15.87]	.797 [20.24]	1.250 [31.75]	1.625 [41.27]	.177 [4.50]	1.171 [29.74]	.723 [18.36]	
22	1.5000-0.1P-0.2L-DS	.953 [24.21]	.625 [15.87]	.797 [20.24]	1.375 [34.92]	1.750 [44.45]	.177 [4.50]	1.296 [32.92]	.723 [18.36]	.780 [19.81]
24	1.7500-0.1P-0.2L-DS	1.047 [26.59]	.594 [15.09]	.859 [21.82]	1.562 [39.67]	2.000 [50.80]	.177 [4.50]	1.421 [36.09]	.660 [16.76]	.686 [17.42]
28	2.0000-0.1P-0.2L-DS	1.047 [26.59]	.594 [15.09]	.859 [21.82]	1.750 [44.45]	2.250 [57.15]	.177 [4.50]	1.625 [41.27]	.660 [16.76]	
32	2.2500-0.1P-0.2L-DS	1.110 [28.19]	.531 [13.49]	.922 [23.42]	1.938 [49.23]	2.500 [63.50]	.209 [5.31]	1.891 [48.03]	.540 [13.72]	
36	2.5000-0.1P-0.2L-DS	1.110 [28.19]	.531 [13.49]	.922 [23.42]	2.188 [55.58]	2.750 [69.85]	.209 [5.31]	2.078 [52.78]	.540 [13.72]	.622 [15.80]
40	2.7500-0.1P-0.2L-DS	1.110 [28.19]	.531 [13.49]	.922 [23.42]	2.375 [60.32]	3.000 [76.20]	.209 [5.31]	2.312 [58.72]	.540 [13.72]	.622 [15.80]
44	3.0000-0.1P-0.2L-DS	1.110 [28.19]	.531 [13.49]	.922 [23.42]	2.625 [66.67]	3.250 [82.55]	.209 [5.31]	2.562 [65.07]	.540 [13.72]	.622 [15.80]

Dimensions in brackets [] are in millimeters.

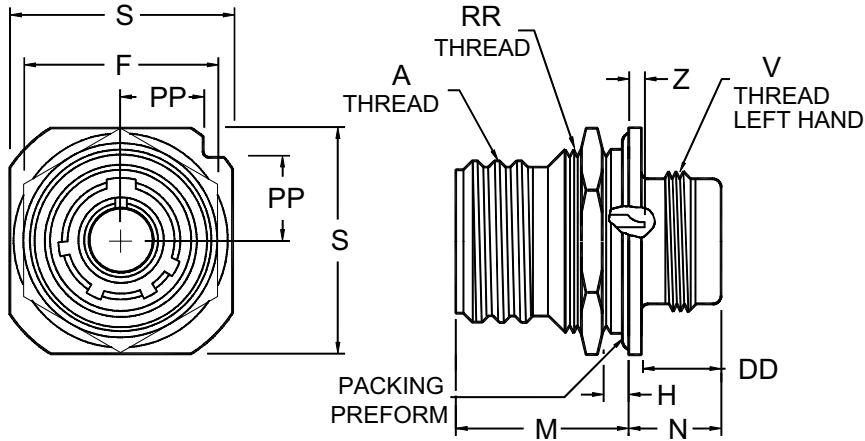
② For size 0 contacts only, increase Z dimension by .312 [7.92] for shell sizes 12 thru 40, and by .062 [1.57] for shell size 44.

JAM NUT RECEPTACLE

MS17347

SCP1943

SCP17347



Military Spacecraft
MS17347* **SCP1943*** **Environmental**
SCP17347* **Environmental**

SHELL SIZE	A THREAD CLASS 2A-DS	F HEX +.017 -.016 [+0.43] [-0.41]	H PANEL THICKNESS		M ±.010 [±0.25]	N +.021 -.020 [+0.53] [-0.51]	S	V THREAD CLASS 2A-LH	Z		DD	PP +.011 -.010 [+0.28] [-0.25]	RR THREAD CLASS 2A-RH	PACKING PREFORMED MS29513-
			MIN.	MAX.					MAX.	MIN. (SIZE 0 ONLY)				
12	.875-0.1P-0.2L	1.250 [31.75]	.094 [2.39]	.188 [4.78]	1.141 [28.98]	.641 [16.28]	1.375 [34.92]	.750-20 UNEF	.523 [13.28]	NA	.516 [13.11]	.486 [12.34]	1.000-20 UNEF	24
14	1.000-0.1P-0.2L	1.312 [33.32]	.094 [2.39]	.188 [4.78]	1.141 [28.98]	.641 [16.28]	1.500 [38.10]	.875-20 UNEF	.523 [13.28]		.516 [13.11]	.530 [13.46]	1.125-18 NEF	26
16	1.125-0.1P-0.2L	1.500 [38.10]	.094 [2.39]	.188 [4.78]	1.141 [28.98]	.703 [17.86]	1.750 [44.45]	1.000-20 UNEF	.523 [13.28]		.516 [13.11]	.623 [15.82]	1.250-18 NEF	127
18	1.250-0.1P-0.2L	1.562 [39.67]	.094 [2.39]	.203 [5.16]	1.156 [29.36]	.703 [17.86]	1.875 [47.62]	1.125-18 UNEF	.508 [12.90]		.516 [13.11]	.663 [16.84]	1.375-18 NEF	129
20	1.375-0.1P-0.2L	1.750 [44.45]	.094 [2.39]	.203 [5.16]	1.156 [29.36]	.703 [17.86]	2.000 [50.80]	1.250-18 UNEF	.508 [12.90]	.582 [14.78]	.516 [13.11]	.707 [17.96]	1.500-18 NEF	131
22	1.500-0.1P-0.2L	1.875 [47.62]	.094 [2.39]	.203 [5.16]	1.156 [29.36]	.703 [17.86]	2.125 [53.97]	1.375-18 UNEF	.508 [12.90]		.516 [13.11]	.751 [19.08]	1.625-18 NEF	133
24	1.750-0.1P-0.2L	2.125 [53.97]	.094 [2.39]	.265 [6.73]	1.219 [30.96]	.703 [17.86]	2.375 [60.32]	1.625-18 UNEF	.455 [11.56]	.507 [12.88]	.516 [13.11]	.840 [21.34]	1.875-16 UN	137
28	2.000-0.1P-0.2L	2.375 [60.32]	.094 [2.39]	.277 [7.04]	1.231 [31.27]	.785 [19.94]	2.625 [66.67]	1.875-16 UN	.433 [11.00]		.516 [13.11]	.928 [23.57]	2.125-16 UN	141
32	2.250-0.1P-0.2L	2.625 [66.67]	.094 [2.39]	.215 [5.46]	1.231 [31.27]	.785 [19.94]	2.875 [73.02]	2.0625-16 UN	.433 [11.00]	.516 [13.11]	1.017 [25.83]	2.375-16 UN	145	
36	2.500-0.1P-0.2L	2.875 [73.02]	.094 [2.39]	.215 [5.46]	1.231 [31.27]	.785 [19.94]	3.125 [79.37]	2.3125-16 UN	.433 [11.00]	.507 [12.88]	.516 [13.11]	1.104 [28.04]	2.625-16 UN	149
40	2.750-0.1P-0.2L	3.125 [79.37]	.094 [2.39]	.215 [5.46]	1.231 [31.27]	.972 [24.69]	3.406 [86.51]	2.625-16 UN	.433 [11.00]		.703 [17.86]	1.213 [30.81]	2.875-16 UN	234
44	3.000-0.1P-0.2L	3.375 [85.72]	.094 [2.39]	.215 [5.46]	1.231 [31.27]	.972 [24.69]	3.656 [92.86]	2.875-16 UN	.656 [16.66]		.703 [17.86]	1.299 [32.99]	3.125-16 UN	236

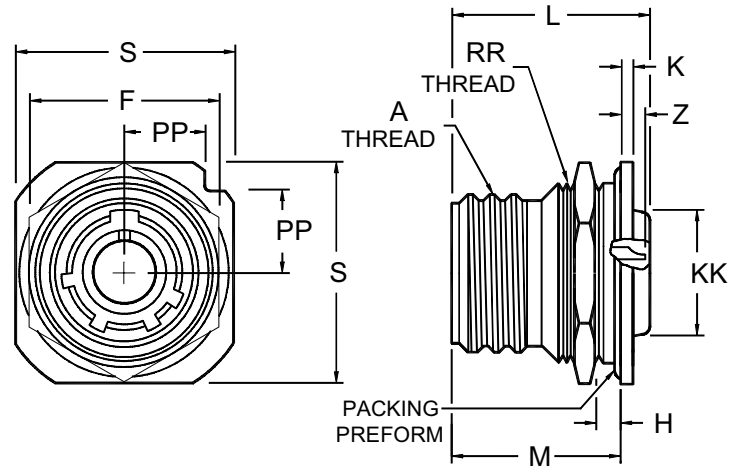
Dimensions in brackets [] are in millimeters.

② For size 0 contacts only, increase Z dimension by .312 [7.92] for shell sizes 12 thru 40, and by .062 [1.57] for shell size 44.



BOX MOUNT JAM NUT RECEPTACLE

MS17348
SCP1949
SCP17348



Military Spacecraft
MS17348* **SCP1949*** **Environmental**
SCP17348* **Environmental**

SHELL SIZE	A THREAD CLASS 2A-DS	F HEX +.017 -.016 [+0.43] [-0.41]	H PANEL THICKNESS		K +.006 -.005 [+0.15] [-0.13]	L +.011 -.010 [+0.28] [-0.25]	M	S MAX.	Z		ØKK +.011 -.010 [+0.28] [-0.25]	PP +.011 -.010 [+0.28] [-0.25]	RR THREAD CLASS 2A-RH	PACKING PREFORMED MS29513-
			MIN.	MAX.					MAX.	MIN.				
									⊙ (SIZE 0 ONLY)					
12	.875-0.1P-0.2L	1.250 [31.75]	.094 [2.39]	.297 [7.54]	.125 [3.17]	1.578 [40.08]	1.235 [31.37]	1.375 [34.92]	.429 [10.90]	NA	.640 [16.26]	.486 [12.34]	1.000-20 UNEF	24
14	1.000-0.1P-0.2L	1.312 [33.32]	.094 [2.39]	.297 [7.54]	.125 [3.17]	1.578 [40.08]	1.235 [31.37]	1.500 [38.10]	.429 [10.90]		.765 [19.43]	.530 [13.46]	1.125-18 NEF	26
16	1.125-0.1P-0.2L	1.500 [38.10]	.094 [2.39]	.297 [7.54]	.188 [4.78]	1.578 [40.08]	1.235 [31.37]	1.750 [44.45]	.461 [11.71]		.890 [22.61]	.623 [15.82]	1.250-18 NEF	127
18	1.250-0.1P-0.2L	1.562 [39.67]	.094 [2.39]	.266 [6.76]	.188 [4.78]	1.578 [40.08]	1.203 [30.56]	1.875 [47.62]	.461 [11.71]		1.015 [25.78]	.663 [16.84]	1.375-18 NEF	129
20	1.375-0.1P-0.2L	1.750 [44.45]	.094 [2.39]	.266 [6.76]	.188 [4.78]	1.578 [40.08]	1.203 [30.56]	2.000 [50.80]	.461 [11.71]	.535 [13.59]	1.171 [29.74]	.707 [17.96]	1.500-18 NEF	131
22	1.500-0.1P-0.2L	1.875 [47.62]	.094 [2.39]	.266 [6.76]	.188 [4.78]	1.578 [40.08]	1.203 [30.56]	2.125 [53.97]	.461 [11.71]		1.296 [32.92]	.751 [19.08]	1.625-18 NEF	133
24	1.750-0.1P-0.2L	2.125 [53.97]	.094 [2.39]	.328 [8.33]	.188 [4.78]	1.641 [41.68]	1.266 [32.16]	2.375 [60.32]	.398 [10.11]	.472 [11.99]	1.421 [36.09]	.840 [21.34]	1.875-16 UN	137
28	2.000-0.1P-0.2L	2.375 [60.32]	.094 [2.39]	.328 [8.33]	.219 [5.56]	1.641 [41.68]	1.329 [33.76]	2.625 [66.67]	.335 [8.51]	.409 [10.39]	1.625 [41.27]	.928 [23.57]	2.125-16 UN	141
32	2.250-0.1P-0.2L	2.625 [66.67]	.094 [2.39]	.328 [8.33]	.219 [5.56]	1.641 [41.68]	1.329 [33.76]	2.875 [73.02]	.335 [8.51]		1.891 [48.03]	1.017 [25.83]	2.375-16 UN	145
36	2.500-0.1P-0.2L	2.875 [73.02]	.094 [2.39]	.328 [8.33]	.219 [5.56]	1.641 [41.68]	1.329 [33.76]	3.125 [79.37]	.335 [8.51]	.409 [10.39]	2.078 [52.78]	1.104 [28.04]	2.625-16 UN	149
40	2.750-0.1P-0.2L	3.125 [79.37]	.094 [2.39]	.328 [8.33]	.219 [5.56]	1.641 [41.68]	1.329 [33.76]	3.406 [86.51]	.335 [8.51]		2.312 [58.72]	1.213 [30.81]	2.875-16 UN	234
44	3.000-0.1P-0.2L	3.375 [85.72]	.094 [2.39]	.328 [8.33]	.219 [5.56]	1.641 [41.68]	1.329 [33.76]	3.656 [92.86]	.562 [14.27]		2.562 [65.07]	1.299 [32.99]	3.125-16 UN	236

Dimensions in brackets [] are in millimeters.

⊙ For size 0 contacts only, increase Z dimension by .312 [7.92] for shell sizes 12 thru 40, and by .062 [1.57] for shell size 44.

Need a Special Component for a Special Project?

SPACECRAFT COMPONENTS CORP.
Your Connector Consultant Since 1962

PowerBand

HIGH CURRENT CONTACTS



High Current
Low Insertion Force
Up to 10,000 Mating Cycles

 SPACECRAFT
COMPONENTS CORP.

Spacecraft has a wide range of specialized products aimed at providing our customers with solutions to a wide range of issues, whether it be harsh environments, quick connect/disconnect needs, vibration resistance, and so much more.

Contact Spacecraft to discover what solutions we can offer you, or visit our website to view our line of specialized products.

 **SPACECRAFT**
COMPONENTS CORP.

702-851-7600

www.spacecraft.com

SECTION 2L

INSERT ARRANGEMENTS BY SHELL SIZE

2L

MIL-DTL-22992 INSERT ARRANGEMENTS BY SHELL SIZE

SOLDER OR CRIMP F80 CONTACTS

INSERT NUMBER	CODE	CONTACTS								ALTERNATE POSITIONS (Degrees)				REMARKS
		TOTAL	SIZE							W	X	Y	Z	
			#20	#18	#16	#12	#8	#4	#0					
12-5	A	1				1				-	-	-	-	
14-3	A	1					1			-	-	-	-	
16-2	A	1				1				-	-	-	-	
16-7	A	3			2		1			80	110	250	280	
16-9	A	4			2	2				35	110	250	325	
16-10	A	3				3				90	180	270	-	
16-11	A	2				2				35	110	250	325	
16-12	A	1						1		-	-	-	-	
16-13	A	2				2				35	110	250	325	
18-1	A	10			10					70	145	215	290	
18-3	I	2				2				35	110	250	325	
18-4	I	4			4					35	110	250	325	
18-5	I	3			1	2				80	110	250	280	
18-06	S	6			2	4				-	180	-	-	Use 18A6
18-6	A	1						1		-	-	-	-	
18A6	S	6			2	4				-	180	-	-	
18-7	A	1					1			-	-	-	-	
18-8	I	8			7	1				70	-	-	290	
18-9	A	7			5	2				80	110	270	280	
18-10	I	4				4				-	120	240	-	
18-11	I	5				5				-	170	265	-	
18-12	I	6			6					80	-	-	280	
18-13	I	4				3	1			80	110	250	280	
18-14	I	2			1			1		80	110	250	280	
18-15	I	4				4				-	120	240	-	
18-16	I	1				1				-	-	-	-	High voltage
18-17	C	7			5	2				-	-	-	-	100 Deg Rotation To Right of 18-9
18-18	C	7			5	2				-	-	-	-	250 Deg Rotation To Right of 18-9
18-19	C	10			10					-	120	240	-	
18-20	I	5			5					90	180	270	-	
18-21	D	3				3				70	145	215	290	
18-22	I	3			3					70	145	215	290	
18-23	C	10			10					-	-	-	-	Position #12 of 18-1
18-24	C	10			10					-	-	-	-	Position #13 of 18-1
18-25	C	2				2				-	-	-	-	Position #12 of 18-3
18-26	C	2				2				-	-	-	-	Position #13 of 18-3
18-27	C	3			1	2				-	-	-	-	Position #12 of 18-5
18-28	C	3			1	2				90	180	270	-	Position #13 of 18-5
18-29	I	5			5					90	180	270	-	
18-30	C	5			5					-	-	-	-	Position #3 of 18-20
18-31	C	5			5					-	-	-	-	Position #2 of 18-20
18A31	S	10			10					-	-	-	-	Position #5 of 18-1
18-2005-31	S	10			10					-	-	-	-	Position #5 of 18-1
20-1	D	14			14					-	-	-	-	Same as 20-27
20-2	AI	1						1		-	-	-	-	
20-3	IM	3				3				70	145	215	290	

A = Active insert arrangement per MIL-STD-1651.

C = Cancelled after Nov. 6, 2015. See MIL-STD-1651 for replacement.

D = Cancelled in 1945 or 1949.

I = Inactive for new design.

M = Not applicable to MIL-DTL-22992.

S = Spacecraft.



MIL-DTL-22992 INSERT ARRANGEMENTS BY SHELL SIZE SOLDER OR CRIMP F80 CONTACTS

continued from previous page

INSERT NUMBER	CODE	CONTACTS							ALTERNATE POSITIONS (Degrees)				REMARKS	
		TOTAL	SIZE							W	X	Y		Z
			#20	#18	#16	#12	#8	#4	#0					
20-4	A	4				4				45	110	250	-	
20-5	IM	2			2					35	110	250	325	
20-6	I	3			3					70	145	215	290	
20-7	A	8			8					80	110	250	280	
20-8	A	6			4		2			80	110	250	280	
20B8	S	8			4	4				80	110	250	280	
20-9	A	8			7	1				80	110	250	280	
20A9	S	9				9				-	110	250	-	
20-10	C	4			4					-	-	-	-	
20-11	IM	13			13					-	-	-	-	
20-12	IM	2			1			1		80	110	250	280	
20-13	C	4			4					-	-	-	-	
20-14	A	5				3	2			80	110	250	280	
20-15	A	7				7				80	-	-	280	
20-16	A	9			7	2				80	110	250	280	
20A16	S	13			13					-	-	-	-	Same as 20-11
20-17	A	6			1	5				90	180	270	-	
20-18	A	9			6	3				35	110	250	325	
20-19	IM	3					3			90	180	270	-	
20-20	IM	4				3		1		80	110	250	280	
20-21	A	9			8	1				35	110	250	325	
20-22	A	6			3		3			80	110	250	280	
20-23	IM	2					2			35	110	250	325	
20-24	I	4			2		2			35	110	250	325	
20-25	C	13			13					-	-	-	-	Position #12 of 20-11
20-26	C	3				3				-	-	-	-	
20-27	A	14			14					35	110	250	325	
20-29	A	17			17					80	-	-	280	
20-30	C	13			13					-	-	-	-	Position #13 of 20-11
20-31	A	11			11					-	-	-	-	
20-32	C	8			8					-	-	-	-	Position #2 of 20-7
20-33	A	11			11					-	-	-	-	
20A48	S	19			19					-	80	280	-	
20-58	S	10			5	5				-	-	-	-	
20-629	S	4			4					-	-	-	-	Same as 20-10
20-854	S	2				2				-	-	-	-	
20-2006-37	S	4				4				-	-	-	-	Position #8 of 20-4
22-1	IM	2					2			35	110	250	325	
22-2	A	3					3			70	145	215	290	
22-3	IM	2			1			1		80	110	250	280	
22-4	IM	4				2	2			35	110	250	325	
22-5	A	6			4	2				35	110	250	325	
22-6	IM	3			1		2			80	110	250	280	
22-7	A	1						1		-	-	-	-	
22-8	IM	2				2				35	110	250	325	

A = Active insert arrangement per MIL-STD-1651.

C = Cancelled after Nov. 6, 2015. See MIL-STD-1651 for replacement.

D = Cancelled in 1945 or 1949.

I = Inactive for new design.

M = Not applicable to MIL-DTL-22992.

S = Spacecraft.

continued on next page

MIL-DTL-22992 INSERT ARRANGEMENTS BY SHELL SIZE

SOLDER OR CRIMP F80 CONTACTS

continued from previous page

INSERT NUMBER	CODE	CONTACTS								ALTERNATE POSITIONS (Degrees)				REMARKS
		TOTAL	SIZE							W	X	Y	Z	
			#20	#18	#16	#12	#8	#4	#0					
22-9	A	3				3				70	145	215	290	
22-10	A	4			4					35	110	250	325	
22A10	S	10			10					-	120	240	-	
22-11	A	2			2					35	110	250	325	
22-12	A	5			3		2			80	110	250	280	
22-13	IM	5			1	4				35	110	250	325	
22-14	A	19			19					80	110	250	280	
22-15	A	6			1	5				80	110	250	280	
22-16	IM	9			6	3				80	110	250	280	
22-17	A	9			8	1				80	110	250	280	
22-18	A	8			8					80	110	250	280	
22-19	A	14			14					80	110	250	280	
22-20	IM	9			9					35	110	250	325	
22-21	A	3			2				1	80	110	250	280	
22-22	A	4					4			-	110	250	-	
22B22	S	4					4			-	110	250	-	
22-23	A	8				8				35	-	250	-	
22-24	IM	6			4	2				80	110	250	280	
22-25	IM	3			2				1	80	110	250	280	
22-26	D	7			5	2				-	-	-	-	
22-27	A	9			8		1			80	-	250	280	
22-28	IM	7				7				80	-	-	280	
22-29	IM	7			6			1		80	110	250	280	
22-30	C	19			19					-	-	-	-	Position #12 of 22-14
22-31	D	2			2					-	-	-	-	Position #12 of 22-11
22-32	C	6			4	2				-	-	-	-	Position #2 of 22-5
22-33	IM	7			7					80	110	250	280	
22-34	IM	5			2	3				80	110	250	280	
22-35	C	3					3			-	-	-	-	
22-36	A	8				8				90	-	270	-	
22A37	S	37		37						80	112	250	280	
22-63	S	12			8	4				-	-	-	-	
22-70	S	13			5	8				-	-	-	-	
22-82	S	10			8		2			80	110	250	280	
24-1	IM	2			1				1	80	110	250	280	
24A1	S	1							1	-	-	-	-	
24-2	A	7				7				80	-	-	280	
24-3	IM	7			5	2				80	110	250	280	
24-4	AM	4			3				1	80	110	250	280	
24-5	AM	16			16					80	110	250	280	
24G5	S	5					5			70	110	240	270	
24-06	S	6			2		4			40	-	-	-	Use 24A6
24-6	A	8				8				80	110	250	280	
24A6	S	6				4	2			40	-	-	-	
24-07	S	7				7				80	-	-	280	Use 24A7
24-7	A	16			14	2				80	110	250	280	
24A7	S	7				7				80	-	-	280	

A = Active insert arrangement per MIL-STD-1651.

C = Cancelled after Nov. 6, 2015. See MIL-STD-1651 for replacement.

D = Cancelled in 1945 or 1949.

I = Inactive for new design.

M = Not applicable to MIL-DTL-22992.

S = Spacecraft.

continued on next page



MIL-DTL-22992 INSERT ARRANGEMENTS BY SHELL SIZE SOLDER OR CRIMP F80 CONTACTS

continued from previous page

INSERT NUMBER	CODE	CONTACTS							ALTERNATE POSITIONS (Degrees)				REMARKS	
		TOTAL	SIZE							W	X	Y		Z
			#20	#18	#16	#12	#8	#4	#0					
24-9	IM	2						2		35	110	250	325	
24-10	A	7					7			80	-	-	280	
24-11	A	9				6	3			35	110	250	325	
24-12	A	5				3		2		80	110	250	280	
24S12	S	12			10			2						
24-013	S	13			7	6				-	-	-	-	Use 24A13
24A13	S	13			7	6				-	-	-	-	
24-14	IM	3				2			1	80	110	250	280	
24S14	S	14			12			2		-	-	-	-	
24-15	C	16			16					-	-	-	-	Position #12 of 24-5
24-16	A	7			3	3	1			80	110	250	280	
24-17	IM	5			3	2				80	110	250	280	
24-18	C	4			4					-	-	-	-	Shorting type
24-19	D	12			12					-	-	-	-	
24-20	A	11			9	2				80	110	250	280	
24-21	A	10			9		1			80	110	250	280	
24-22	A	4					4			45	110	250	-	
24-23	IM	5			2		3			80	110	250	280	
24-24	C	16			16					-	-	-	-	Position #13 of 24-5
24-25	C	8				8				-	-	-	-	Position #12 of 24-6
24A25	S	25			25					80	110	250	280	
24-26	C	8				8				-	-	-	-	Position #13 of 24-6
24-27	A	7			7					80	-	-	280	
24-28	A	24			24					80	110	250	280	
24A28	S	28			28					65	146	235	-	
24A35	S	16				14	2			-	-	-	-	Position #12 of 24-7
24A40	S	16			14	2				-	-	-	-	
24-58	S	13			7	3	3			-	-	-	-	
24-59	S	14			7	7				-	-	-	-	
24-65	S	15			4	11				-	-	-	-	
24-66	S	7				7				-	-	-	-	
24-67	S	19				19				80	-	-	335	
24-79	S	5					5			-	-	-	-	
24-80	I	23			23					35	145	240	300	
24-2008-35	S	16			14	2				-	-	-	-	Position #12 of 24-7 Same as 24A35
28-1	A	9				6	3			80	110	250	280	
28B1	S	1							1	-	-	-	-	
28-2	A	14			12	2				35	110	250	325	
28-3	A	3					3			70	145	215	290	
28-4	A	9			7	2				80	110	250	280	
28-5	A	5			2	1		2		35	110	250	325	
28-6	IM	3						3		70	145	215	290	
28-7	C	2						2		35	110	250	325	
28-8	A	12			10	2				80	110	250	280	
28-09	S	9			5			4		110	250	260	280	Use 28A9
28-9	A	12			6	6				80	110	250	280	

A = Active insert arrangement per MIL-STD-1651.

C = Cancelled after Nov. 6, 2015. See MIL-STD-1651 for replacement.

D = Cancelled in 1945 or 1949.

I = Inactive for new design.

M = Not applicable to MIL-DTL-22992.

S = Spacecraft.

continued on next page

MIL-DTL-22992 INSERT ARRANGEMENTS BY SHELL SIZE

SOLDER OR CRIMP F80 CONTACTS

continued from previous page

INSERT NUMBER	CODE	CONTACTS								ALTERNATE POSITIONS (Degrees)				REMARKS
		TOTAL	SIZE							W	X	Y	Z	
			#20	#18	#16	#12	#8	#4	#0					
28A9	S	9			5			4		110	250	260	280	
28-10	A	7				3	2	2		80	110	250	280	
28-11	A	22			18	4				80	110	250	280	
28-12	A	26			26					90	180	270	-	
28-13	C	26			26					-	-	-	-	Position #12 of 28-12
28-14	IM	11			11					80	110	250	280	
28-15	I	35			35					80	110	250	280	
28-16	IM	20			20					80	110	250	280	
28-17	A	15			15					80	110	250	280	
28-18	A	12			12					70	145	215	290	
28-19	A	10			6	4				80	110	250	280	
28-20	A	14			4	10				80	110	250	280	
28-21	A	37			37					80	110	250	280	
28-22	A	6			3			3		70	145	215	290	
28A29	S	29			27			2		80	110	250	280	
28A31	S	31		25				6		-	-	-	-	
28A35	S	35			35					80	110	250	280	
28-51	S	12				12				80	135	195	-	
28A55	S	29			29					-	-	-	-	
28-59	S	17			10	7				-	-	-	-	
28A63	S	28			19	9				-	100	260	-	
28-72	S	72	72							72	144	216	288	
28-79	S	16			9			7		80	110	250	280	
28-84	S	9						9		-	-	-	-	
28-124	S	16			12			4		80	110	250	280	
32-1	A	5				3			2	80	110	250	280	
32A1	S	1								-	-	-	-	1 Size 4/0 Contact
32-2	A	5			2			3		70	145	215	290	
32-3	A	9			4	2		2	1	80	110	250	280	
32A3	S	3						3		22	44	75	-	
32-4	IM	14			12	2				80	110	250	280	
32-5	IM	2							2	35	110	250	325	
32-6	A	23			16	2	3	2		80	110	250	280	
32-7	A	35			28	7				80	125	235	280	
32-8	IM	30			24	6				80	125	235	280	
32-9	A	14			12			2		80	110	250	280	
32-10	IM	7			3		2	2		80	110	250	280	
32-12	IM	15			10	5				80	110	250	280	
32-013	S	13				13				65	130	230	295	Use 32A13
32-13	A	23			18	5				80	110	250	280	
32A13	S	13				13				65	130	230	295	
32-14	IM	7				5		2		35	110	250	325	
32-15	A	8				6			2	35	110	250	280	
32-16	C	23			16	2	3	2		-	-	-	-	Position #12 of 32-6
32-17	A	4						4		45	110	250	-	

A = Active insert arrangement per MIL-STD-1651.

C = Cancelled after Nov. 6, 2015. See MIL-STD-1651 for replacement.

D = Cancelled in 1945 or 1949.

I = Inactive for new design.

M = Not applicable to MIL-DTL-22992.

S = Spacecraft.

continued on next page



MIL-DTL-22992 INSERT ARRANGEMENTS BY SHELL SIZE SOLDER OR CRIMP F80 CONTACTS

continued from previous page

INSERT NUMBER	CODE	CONTACTS							ALTERNATE POSITIONS (Degrees)				REMARKS	
		TOTAL	SIZE							W	X	Y		Z
			#20	#18	#16	#12	#8	#4	#0					
32-18	C	14			12	2				-	-	-	-	Position #12 of 32-4
32-19	C	5				3			2	-	-	-	-	Position #2 of 32-1
32S19	S	19				19				-	-	-	-	
32-20	C	23			16	2	3	2		-	-	-	-	Position #2 of 32-6
32-22	AM	54			54					80	110	250	280	
32A22	S	22			20				2	55	135	230	295	
32B22	S	22			20			2		35	110	250	325	
32A25	S	25				25				60	120	-	-	
32A27	S	27			17	10				30	115	285	335	
32A29	S	23			16	2	3	2		-	-	-	-	Rotation of 32-6
32A30	S	30			20	10				-	-	-	-	
32-31	S	31			31					-	-	-	-	
32A40	S	40			40					35	130	-	-	
32A48	S	48			48					80	-	-	-	
32-52	S	8				6			2	-	-	-	-	90 Deg Rotation of 32-15
32A55	S	55			55					80	110	250	280	
32-59	S	42			40		2			36	108	252	324	
32-63	AM	5						5		-	-	-	-	
32-64	S	54			54					-	-	-	-	
32-68	S	16			12			4		65	135	225	275	
32A69	S	61	41		20					-	110	250	-	
32-73	A	46			46					36	-	-	-	
32-76	S	19				19				80	110	250	280	
32-79	S	5					1	4		-	-	-	315	
32-88	S	54			54					-	-	-	-	
32A401	S	40			40					-	-	-	-	
32-689	S	9			6			3		-	-	-	-	
32-2010-29	S	23			16	2	3	2		-	-	-	-	Position #13 of 32-6
32-2010-30	S	5				3			2	-	-	-	-	Position #12 of 32-1
36-01	S	1								-	-	-	-	1 Size 4/0 Contact
36A1	S	1								-	-	-	-	1 Size 4/0 Contact
36-1	IM	22			18	4				80	110	250	280	
36-2	C	5				2			3	-	-	-	-	
36-3	A	6				3			3	70	145	215	290	
36-4	IM	3							3	70	145	215	290	
36-5	A	4							4	-	120	240	-	
36-6	A	6						4	2	35	110	250	325	
36-7	A	47			40	7				80	110	250	280	
36-8	A	47			46	1				80	110	250	280	
36-9	A	31			14	14	2	1		80	125	235	280	
36-10	A	48			48					80	125	235	280	
36-11	C	48			48					-	-	-	-	Position #12 of 36-10
36-12	C	48			48					-	-	-	-	Position #13 of 36-10
36-13	IM	17			15	2				80	110	250	280	
36-14	IM	16			6	5	5			90	180	270	-	

A = Active insert arrangement per MIL-STD-1651.

C = Cancelled after Nov. 6, 2015. See MIL-STD-1651 for replacement.

D = Cancelled in 1945 or 1949.

I = Inactive for new design.

M = Not applicable to MIL-DTL-22992.

S = Spacecraft.

continued on next page

MIL-DTL-22992 INSERT ARRANGEMENTS BY SHELL SIZE

SOLDER OR CRIMP F80 CONTACTS

continued from previous page

INSERT NUMBER	CODE	CONTACTS							ALTERNATE POSITIONS (Degrees)				REMARKS	
		TOTAL	SIZE							W	X	Y		Z
			#20	#18	#16	#12	#8	#4	#0					
36-15	A	35			35					60	125	245	305	
36-16	C	47			40	7				-	-	-	-	Position #12 of 36-7
36-17	C	47			40	7				-	-	-	-	Position #13 of 36-7
36-18	C	31			14	14	2	1		-	-	-	-	Position #12 of 36-9
36-19	IM	17			10	5		1	1	80	110	250	280	
36-20	C	34			30	2	2			-	-	-	-	
36-21	C	31			14	14	2	1		-	-	-	-	Position #2 of 36-9
36-22	S	22				22				80	110	250	280	
36A22	S	22				22				-	-	-	-	
36-35	S	36			32		4			-	-	-	-	
36-51	S	4						2	2	-	-	-	-	
36A51	S	6				1		2	3	45	135	225	315	
36-52	A	52			52					72	144	216	288	
36-54	S	39			31		8			-	-	-	-	
36-66	A	56			52	4				110	250	260	280	
36-71	S	53			50	3				-	-	-	-	
36A72	S	72		52	16	4				-	110	-	-	
36-74	S	44			43		1			-	-	-	-	
36B78	S	14			2		12			-	-	-	-	
36D78	S	14			4		10			-	-	-	-	
40-1	A	30			24	6				65	130	235	300	
40-2	AM	23			23					80	110	250	280	
40-3	AM	23			18	4		1		80	110	250	280	
40A3	S	5				2			3	70	145	215	290	
40-4	AM	23			16	2	3	2		80	110	250	280	
40A4	S	6				2			4	50	120	240	325	
40B4	S	4							4	45	110	-	-	
40-5	AM	15				6	4	2	3	80	110	250	280	
40A5	S	5				1		1	3	33	-	-	270	
40B5	S	5							5					
40-6	AM	26			24	1			1	80	110	250	280	
40A6	S	6				6				35	110	250	280	
40-7	AM	22			18	2			2	80	110	250	280	
40A8	S	8			4				4	35	110	250	325	
40-9	A	47			24	22	1			65	125	225	310	
40-10	AM	29			16		9	4		65	125	225	310	
40A10	S	8			4			4		80	135	195	-	
40-11	AM	25			18	4	1	1	1	80	110	250	280	
40-12	C	29			22	6			1	-	-	-	-	
40-13	C	23			23					-	-	-	-	Position #12 of 40-2
40-14	C	32			21	10			1	-	-	-	-	
40B19	S	19					19			35	105	255	325	
40A24	S	24				16	8			80	120	245	300	
40-26	S	26				19	7			80	110	250	280	
40A27	S	27				25		2		45	110	250	315	

A = Active insert arrangement per MIL-STD-1651.

C = Cancelled after Nov. 6, 2015. See MIL-STD-1651 for replacement.

D = Cancelled in 1945 or 1949.

I = Inactive for new design.

M = Not applicable to MIL-DTL-22992.

S = Spacecraft.

continued on next page



MIL-DTL-22992 INSERT ARRANGEMENTS BY SHELL SIZE

SOLDER OR CRIMP F80 CONTACTS

continued from previous page

INSERT NUMBER	CODE	CONTACTS							ALTERNATE POSITIONS (Degrees)				REMARKS	
		TOTAL	SIZE						W	X	Y	Z		
			#20	#18	#16	#12	#8	#4						#0
40S27	S	60			60					-	-	-	-	
40-31	S	31				31				80	110	250	280	
40-35	S	35				35				70	130	230	290	
40B37	S	37				37				30	135	-	-	
40A38	S	38				38				37	74	285	322	
40-47	S	47			24	22	1			65	125	225	310	
40A51	S	31			16		15			-	-	-	-	
40-53	S	60			60					80	110	250	280	
40-56	A	85			85					72	144	216	288	
40A56	S	85			85					72	144	216	288	
40N56	S	85			85					72	144	216	288	
40-57	S	4							4	-	-	-	-	
40-60	S	6							6	80	110	250	280	
40-62	A	60			60					30	130	220	290	
40A62	S	62			60		2			80	130	230	280	
40-63	S	61			61					80	-	-	280	
40A65	S	65			65					70	145	215	285	
40-67	S	11			1			10		-	-	-	-	
40-68	S	21					21			-	-	-	-	
40-70	S	61			61					-	-	-	-	
40A75	S	75			73		2			-	-	-	-	
40-80	S	11			1			10		-	-	-	-	
40-82	S	62			62					-	-	-	-	
40-87	S	7						7		-	-	-	-	
40-150	S	150		150						-	-	-	-	
40A150	S	150		150						-	-	-	-	
40-951	S	51				26	25			-	-	-	-	
44-1	A	42			36	6				65	125	225	310	
44-2	C	31			14	14	2	1		65	125	225	310	
44-3	C	31			24	3	2	2		65	125	225	310	
44-4	C	41			21	8			2	65	125	225	310	
44-5	C	42			36	6				-	-	-	-	Position 12 of 44-1
44-6	C	42			36	6				-	-	-	-	Position 13 of 44-1
44-52	A	104			85					72	135	225	288	

A = Active insert arrangement per MIL-STD-1651.

C = Cancelled after Nov. 6, 2015. See MIL-STD-1651 for replacement.

D = Cancelled in 1945 or 1949.

I = Inactive for new design.

M = Not applicable to MIL-DTL-22992.

S = Spacecraft.

SPACECRAFT COMPONENTS CORP.
Your Connector Consultant Since 1962

KWIK RELEASE

QUICK DISCONNECT CONNECTORS



- ▶ Vertical or horizontal mounting
- ▶ Shorter length by using an integrated backshell
- ▶ Available with various mating & separation force levels
- ▶ Utilizing push/pull technology for coupling & uncoupling

 **SPACECRAFT**
COMPONENTS CORP.

Spacecraft has a wide range of specialized products aimed at providing our customers with solutions to a wide range of issues, whether it be harsh environments, quick connect/disconnect needs, vibration resistance, and so much more.

Contact Spacecraft to discover what solutions we can offer you, or visit our website to view our line of specialized products.

 **SPACECRAFT**
COMPONENTS CORP.

702-851-7600

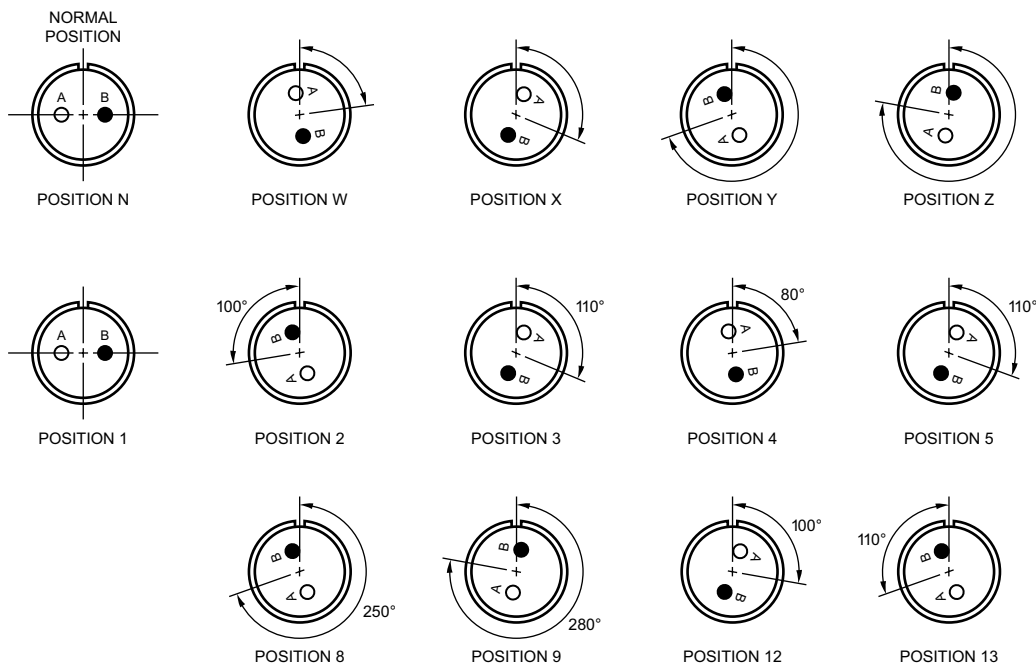
www.spacecraft.com

SECTION 3L

INSERT ARRANGEMENTS BY NUMBER OF CONTACTS

ALTERNATE POSITIONS (POLARIZATION)

The diagrams indicate alternate insert positions. The four positions (W, X, Y, and Z) differ in degree of rotation for various sizes and layouts. The exact angle of rotation of the combinations are listed on pages 3L-2 thru 3L-9.



ENGAGING FACE OF PIN INSERTS SHOWN
SOCKET INSERTS ARE MIRROR IMAGES

MIL-DTL-22992

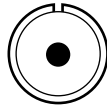
INSERT ARRANGEMENTS BY NUMBER OF CONTACTS

FACE VIEW OF PIN INSERTS SHOWN APPROXIMATELY 3/4 ACTUAL SIZE

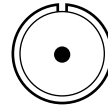
1 CONTACT



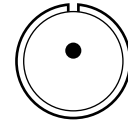
12-5†



14-3†

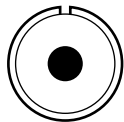


14S-4‡

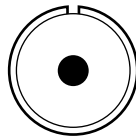


16-2†

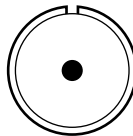
CONTACTS	1-#12	1-#8	1-#16	1-#12
RATING	D	A	D For new MIL equip. design, use 12S-4	E



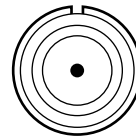
16-12†



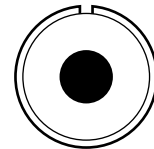
18-6†



18-7†

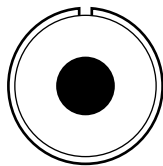


18-16

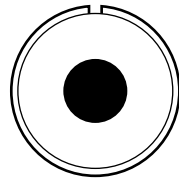


20-2†

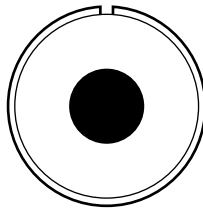
CONTACTS	1-#4	1-#4	1-#8	1-#12	1-#0
RATING	A	D	B	HIGH VOLTAGE	D



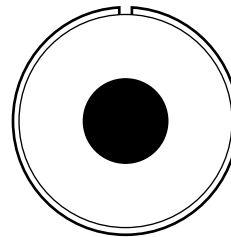
22-7†



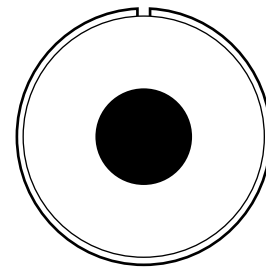
24-A1



28B1



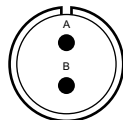
32A1



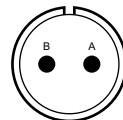
36-01
36A1

CONTACTS	1-#0	1-#0	1-#0	1-4/0	1-#4/0
RATING	E	B	E	A	C

2 CONTACTS



16-11†
16A11★



16-13†

CONTACTS	2-#12	2-#12 Thermocouple
RATING	A	A

† = Military designation per MIL-STD-1651.

‡ = Military designation inactive for new design.

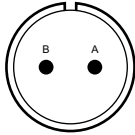
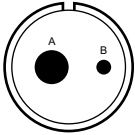
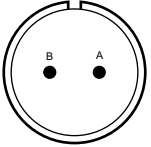
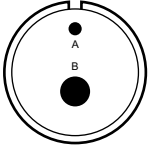
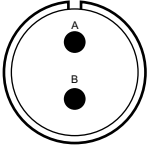
★ = VG95234

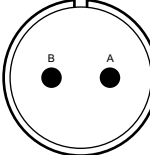
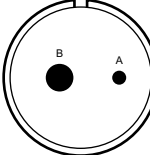
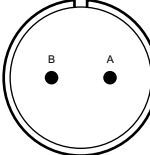
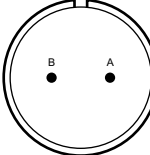
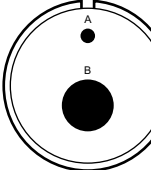


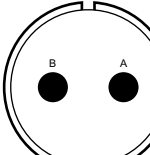
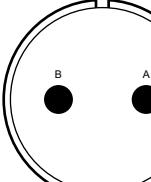
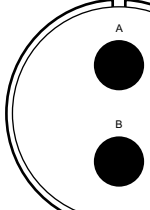
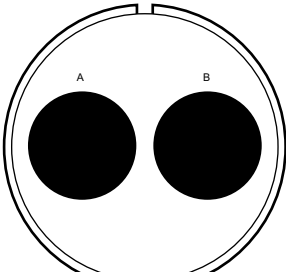
INSERT ARRANGEMENTS BY NUMBER OF CONTACTS

FACE VIEW OF PIN INSERTS SHOWN APPROXIMATELY 3/4 ACTUAL SIZE

2 CONTACTS (CONT.)

					
18-3†	18-14†	20-5†	20-12†	20-23†	
CONTACTS	2-#12	1-#4 (A) 1-#16 (B)	2-#16	1-#16 (A) 1-#4 (B)	2-#8
RATING	D For new MIL equip. design, use 18-5	A	E	A For new MIL equip. design, use 18-14	A For new MIL equip. design, use 20-22

					
22-1†	22-3†	22-8†	22-11†	24-1†	
CONTACTS	2-#8	1-#16 (A) 1-#4 (B)	2-#12	2-#16	1-#12 (A) 1-#0 (B)
RATING	D For new MIL equip. design, use 22-2	D	E For new MIL equip. design, use 22-9	B	D

				
24-9†	28-7†	32-5†	40S2	
CONTACTS	2-#4	2-#4	2-#0	2-#4/0
RATING	A For new MIL equip. design, use 24-12	D For new MIL equip. design, use 28-5	D For new MIL equip. design, use 32-1	A

† = Military designation per MIL-STD-1651.

‡ = Military designation inactive for new design.

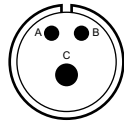
★ = VG95234

MIL-DTL-22992

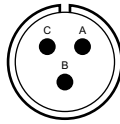
INSERT ARRANGEMENTS BY NUMBER OF CONTACTS

FACE VIEW OF PIN INSERTS SHOWN APPROXIMATELY 3/4 ACTUAL SIZE

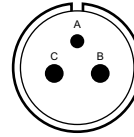
3 CONTACTS



16-7†

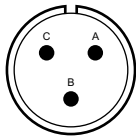


16-10†

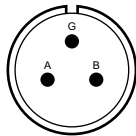


18-5†

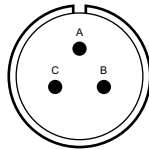
CONTACTS	2-#16 (A, B) 1-#8 (C)	3-#12	1-#16 (A) 2-#12 (B, C)
RATING	A	A	D



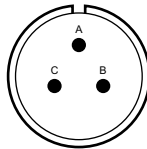
18-21‡



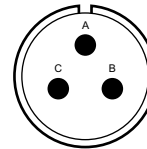
18-22‡



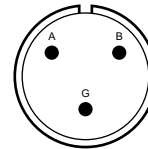
20-3‡



20-6‡

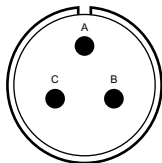


20-19‡

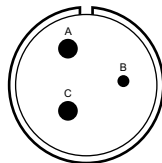


20-26‡

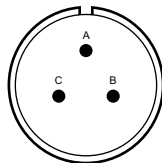
CONTACTS	3-#12	3-#16	3-#12	3-#16	3-#8	3-#12
RATING	A	D For new MIL equip. design, use 18-4	D For new MIL equip. design, use 20-4	D For new MIL equip. design, use 18-4	A For new MIL equip. design, use 20-22	A



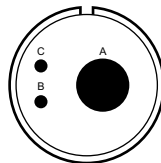
22-2†



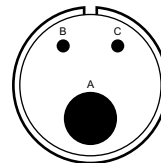
22-6‡



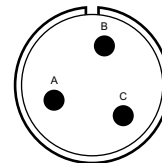
22-9†



22-21†

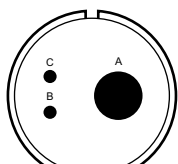


22-25†

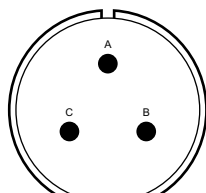


22-35‡

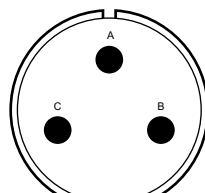
CONTACTS	3-#8	1-#16 (B) 2-#8 (A, C)	3-#12	2-#16 (B, C) 1-#0 (A)	2-#16 (B, C) 1-#0 (A)	3-#8
RATING	D	D For new MIL equip. design, use 22-12	E	A	A	D



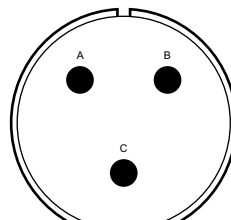
24-14‡



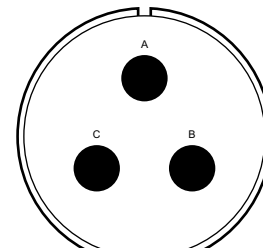
28-3†



28-6‡



32A3



36-4‡

CONTACTS	2-#12 (B, C) 1-#0 (A)	3-#8	3-#4	3-#4	3-#0
RATING	A	E	D For new MIL equip. design, use 28-22	E	D (A); A (balance) For new MIL equip. design, use 36-3

† = Military designation per MIL-STD-1651.

‡ = Military designation inactive for new design.

★ = VG95234



INSERT ARRANGEMENTS BY NUMBER OF CONTACTS

FACE VIEW OF PIN INSERTS SHOWN APPROXIMATELY 3/4 ACTUAL SIZE

4 CONTACTS

16-9†	18-4†	18-10‡	18-13†
CONTACTS 2-#16 (B, D) 2-#12 (A, C)	4-#16	4-#12	3-#12 (B, C, D) 1-#8 (A)
RATING A	D	A <small>For new MIL equip. design, use 18-11</small>	A

18-15†	20-4†	20-10†	20-13†	20-20‡	20-24‡	22-4†
CONTACTS 4-#12 Thermocouple	4-#12	4-#16	4-#16	3-#12 (B, C, D) 1-#4 (A)	2-#16 (A, C) 2-#8 (B, D)	2-#12 (A, C) 2-#8 (B, D)
RATING A	D	A	A	A	A	A <small>For new MIL equip. design, use 20-14</small>

22-10†	22-22† 22B22★	24-4†	24-22†	32-17†
CONTACTS 4-#16	4-#8	3-#16 (B, C, D) 1-#0 (A)	4-#8	4-#4
RATING E	A	A	D	D

36-5†	36-51	40B4	40-57
CONTACTS 4-#0	2-#4 (C, D) 2-#0 (A, B)	4-#0	4-#0
RATING A	D	E	E

† = Military designation per MIL-STD-1651.

‡ = Military designation inactive for new design.

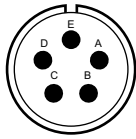
★ = VG95234

MIL-DTL-22992

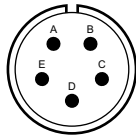
INSERT ARRANGEMENTS BY NUMBER OF CONTACTS

FACE VIEW OF PIN INSERTS SHOWN APPROXIMATELY 3/4 ACTUAL SIZE

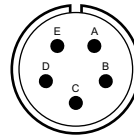
5 CONTACTS



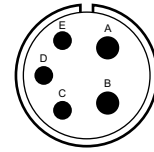
18-11†



18-20‡

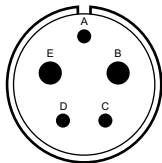


18-29‡

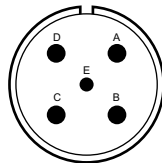


20-14†

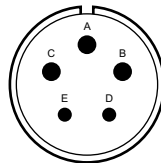
CONTACTS	5-#12	5-#16	5-#16	3-#12 (C, D, E) 2-#8 (A, B)
RATING	A	A For new MIL equip. design, use 16S-8	A	A



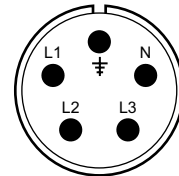
22-12†



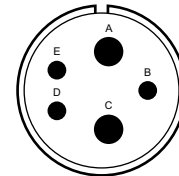
22-13‡



22-34‡

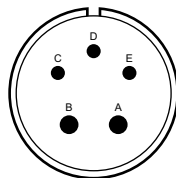


24-G5

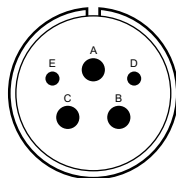


24-12†

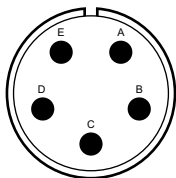
CONTACTS	3-#16 (A, C, D) 2-#8 (B, E)	1-#16 (E) 4-#12 (A-D)	2-#16 (D, E) 3-#12 (A, B, C)	5-#8 Top pin is grounded	3-#12 (B, D, E) 2-#4 (A, C)
RATING	D	A (A, D); D (E) For new MIL equip. design, use 22-15	D	A	A



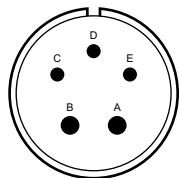
24-17‡



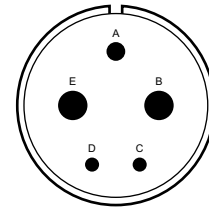
24-23‡



24-79

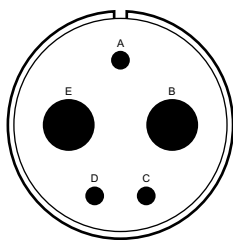


24-620

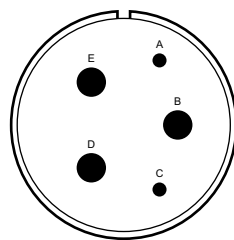


28-5†

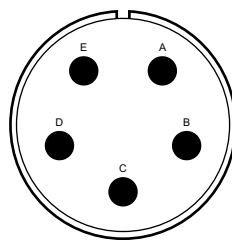
CONTACTS	3-#16 (C, D, E) 2-#12 (A, B)	2-#16 (D, E) 3-#8 (A, B, C)	5-#8	3-#16 (C, D, E) 2-#12 (A, B)	2-#16 (C, D) 1-#12 (A) 2-#4 (B, E)
RATING	D For new MIL equip. design, use 22-5	D	A		D



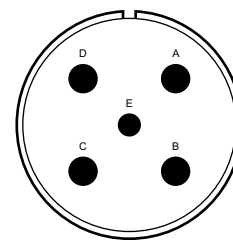
32-1†



32-2†



32-63†



32-79

CONTACTS	3-#12 (A, C, D) 2-#1/0 (B, E)	2-#16 (A, C) 3-#4 (B, D, E)	5-#4	1-#8 (E) 4-#4 (A-D)
RATING	E (A); D (balance)	E	D	D

† = Military designation per MIL-STD-1651.

‡ = Military designation inactive for new design.

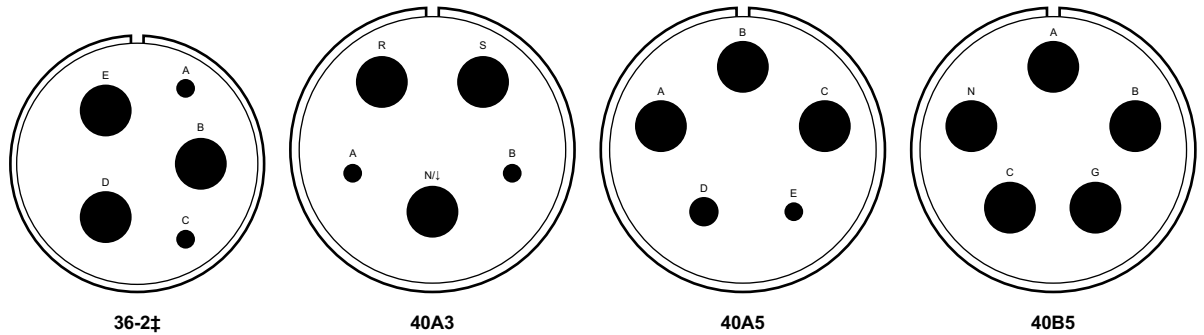
★ = VG95234



INSERT ARRANGEMENTS BY NUMBER OF CONTACTS

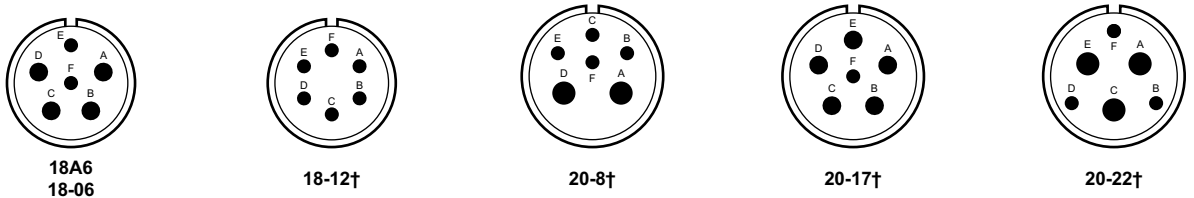
FACE VIEW OF PIN INSERTS SHOWN APPROXIMATELY 3/4 ACTUAL SIZE

5 CONTACTS (CONT.)

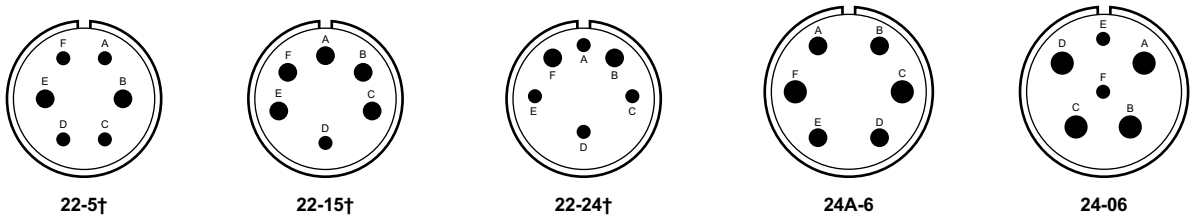


	36-2‡	40A3	40A5	40B5
CONTACTS	2-#12 (A, C) 3-#0 (B, D, E)	2-#12 (A,D) 3-#0 (N,R,S)	1-#12 (E) 1-#4 (D) 3-#0 (A, B, C)	5-#0
RATING	D For new MIL equip. design, use 36-3	D	D	D

6 CONTACTS



	18A6 18-06	18-12‡	20-8‡	20-17‡	20-22‡
CONTACTS	2-#16 (E, F) 4-#12 (A-D)	6-#16	4-#16 (B, C, E, F) 2-#8 (A, D)	1-#16 (F) 5-#12 (A-E)	3-#16 (B, D, F) 3-#8 (A, C, E)
RATING	A	A For new MIL equip. design, use 16S-1	INST.	A	A



	22-5†	22-15†	22-24†	24A-6	24-06
CONTACTS	4-#16 (A,C,D,F) 2-#12 (B,E)	1-#16 (D) 5-#12 (A, B, C, E, F)	4-#16 (A, C, D, E) 2-#12 (B, F)	2-#8 (F, C) 4-#12 (A, B, E, D)	2-#16 (E, F) 4-#8 (A, B, C, D)
RATING	A (A, B, C, E, F)	A (A, B, C, E, F) E (D)	A (A, B, F); D (C, D, E) For new MIL equip. design, use 22-5	D	D

† = Military designation per MIL-STD-1651.

‡ = Military designation inactive for new design.

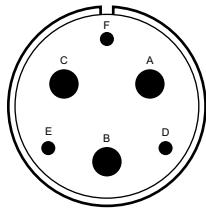
★ = VG95234

MIL-DTL-22992

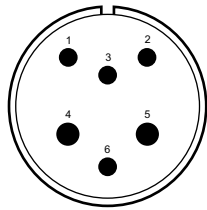
INSERT ARRANGEMENTS BY NUMBER OF CONTACTS

FACE VIEW OF PIN INSERTS SHOWN APPROXIMATELY 3/4 ACTUAL SIZE

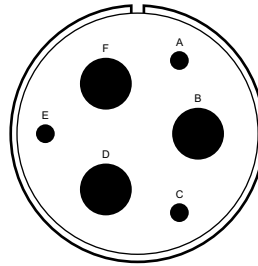
6 CONTACTS (CONT.)



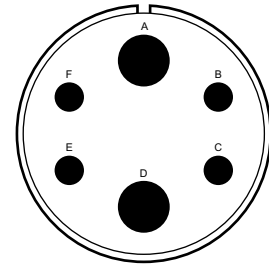
28-22†



28-82‡

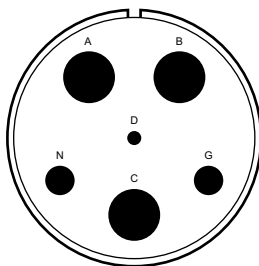


36-3†

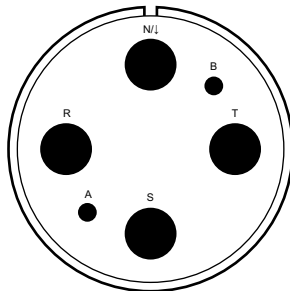


36-6†

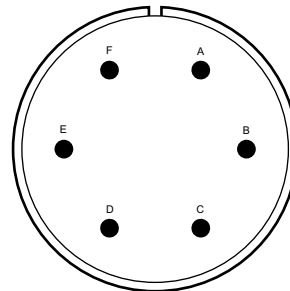
CONTACTS	3-#16 (D, E, F) 3-#4 (A, B, C)	4-#12 (1, 2, 3, 6) 2-#8 (4, 5)	3-#12 (A, C, E) 3-#0 (B, D, F)	4-#4 (B, C, E, F) 2-#0 (A, D)
RATING	D	D	D	A



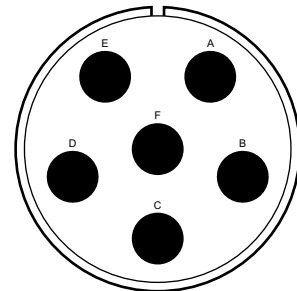
36A51



40A4



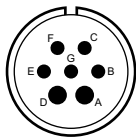
40-A6



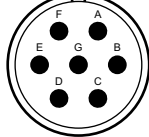
40-60

CONTACTS	1-#16 (D) 2-#4 (G, N) 3-#0 (A, B, C)	2-#12 (A, B) 4-#0 (N, R, S, T)	6-#12	6-#0
RATING	D	A	B	A

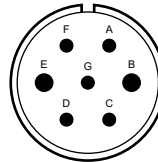
7 CONTACTS



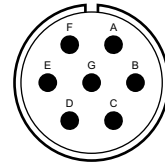
18-9†



20-15‡



22-26†



22-28†

CONTACTS	5-#16 (B, C, E, F, G) 2-#12 (A, D)	7-#12	5-#16 (A, C, D, F, G) 2-#12 (B, E)	7-#12
RATING	INST.	A		A For new MIL equip. design, use 22-33

† = Military designation per MIL-STD-1651.

‡ = Military designation inactive for new design.

★ = VG95234



INSERT ARRANGEMENTS BY NUMBER OF CONTACTS

FACE VIEW OF PIN INSERTS SHOWN APPROXIMATELY 3/4 ACTUAL SIZE

7 CONTACTS (CONT.)

22-29†	22-33†	24-2†	24-3‡	24A7 24-07
CONTACTS 6-#16 (A, B, C, D, E, F) 1-#4 (G)	7-#16	7-#12	5-#16 (A, C-F) 2-#12 (B, G)	7-#12
RATING A	A (E-G); D (A-D)	D	D For new MIL equip. design, use 24-20	D

24-10†	24-16†	24-27†	24-66	28-10†
CONTACTS 7-#8	3-#16 (A, B, F) 3-#12 (C, D, E) 1-#8 (G)	7-#16	7-#12	3-#12 (A, F, G) 2-#8 (B, E) 2-#4 (C, D)
RATING A	A (C-E); D (A, B, F, G)	E	A	D (G); A (balance)

32-10†	32-14	40-87
CONTACTS 3-#16 (A, F, G) 2-#8 (B, E) 2-#4 (C, D)	5-#12 (B, D, E, F, H) 2-#4 (G, J)	7-#4
RATING A (C, D); B (G) D (B, E); E (A, F)	D	D

† = Military designation per MIL-STD-1651.

‡ = Military designation inactive for new design.

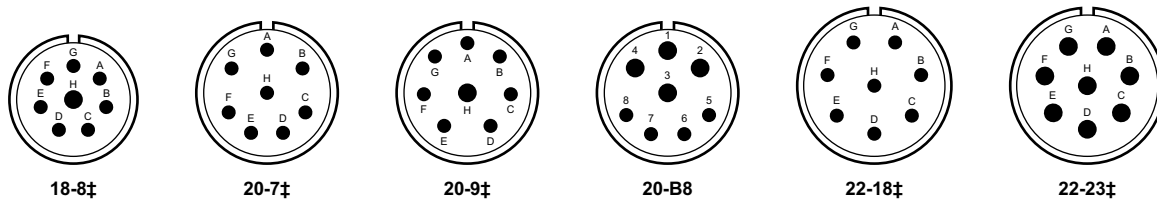
★ = VG95234

MIL-DTL-22992

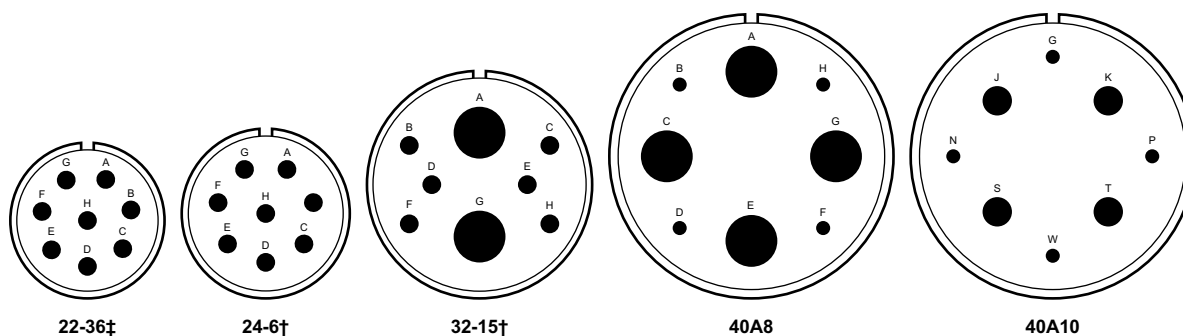
INSERT ARRANGEMENTS BY NUMBER OF CONTACTS

FACE VIEW OF PIN INSERTS SHOWN APPROXIMATELY 3/4 ACTUAL SIZE

8 CONTACTS

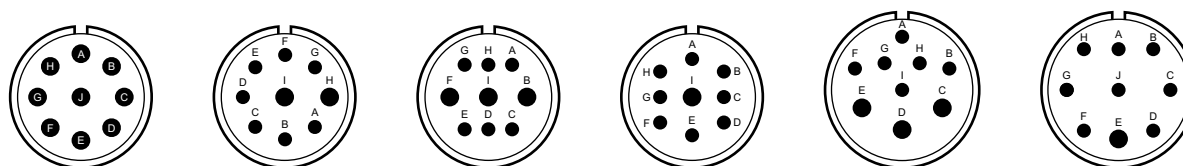


CONTACTS	7-#16 (A-G) 1-#12 (H)	8-#16	7-#16 (A-G) 1-#12 (H)	4-#16 (5-8) 4-#12 (1-4)	8-#16	8-#12
RATING	A	A (C-F) D (A, B, G, H)	A (A-G); D (H)	A	A (C-E) D (balance)	D (H); A (balance)



CONTACTS	8-#12 Thermocouple	8-#12	6-#12 (B, F, H) 2-#0 (A, G)	4-#16 (B,D,F,H) 4-#0 (A,C,E,G)	4-#16 (G, N, P, W) 4-#4 (J, K, S, T)
RATING	A (A-G); D (H)	D (A, G, H) A (balance)	D	D	D

9 CONTACTS



CONTACTS	9-#12	7-#16 (A-G) 2-#12 (H, I)	6-#16 (A, C, D, E, G, H) 3-#12 (B, F, I)	8-#16 (A-H) 1-#12 (I)	6-#16 (A, B, F-J) 3-#12 (C, D, E)	8-#16 (A-D, F-J) 1-#12 (E)
RATING	D (J) A (balance)	A	A	A	A For new MIL equip. design, use 20-18	D (A); A (balance)

† = Military designation per MIL-STD-1651.

‡ = Military designation inactive for new design.

★ = VG95234



INSERT ARRANGEMENTS BY NUMBER OF CONTACTS

FACE VIEW OF PIN INSERTS SHOWN APPROXIMATELY 3/4 ACTUAL SIZE

9 CONTACTS (CONT.)

22-20†	22-27†	24-11†	28-1†	28-4†	
CONTACTS	9-#16	8-#16 (A-H) 1-#8 (J)	6-#12 (A-C, G-I) 3-#8 (D, E, F)	6-#12 (A, B, D, E, F, H) 3-#8 (C, J, G)	7-#16 (A, B, E, F, G, P, S) 2-#12 (C, D)
RATING	A For new MIL equip. design, use 20-33	D (J); A (balance)	A	D (A, E, J) A (balance)	E (G, P, S) D (balance)

28A9 28-09	28-84	32-3†	32-689	
CONTACTS	5-#16 (A,D,E,F,J) 4-#4 (B,C,G,H)	9-#8	4-#16 (A, C, G, J) 2-#12 (B, E) 2-#4 (D, F), 1-#0 (H)	6-#16 (C,D,E,J,N,P) 3-#4 (A,B,R)
RATING	A	A	D	A

10 CONTACTS

16A10	18-1†	18-19†	20-58	22A10
CONTACTS	10-#18	10-#16	5-#16 (F-L) 5-#12 (A-E)	10-#16
RATING	A	A (B, C, F, G) INST. (balance)	A For new MIL equip. design, use 18-1	A

22-82	24-21†	28-19†	
CONTACTS	8-#16 (A-D,G-K) 2-#8 (E,F)	9-#16 (A-D, F-K) 1-#8 (E)	6-#16 (A, B, C, H, L, M) 4-#12 (E, G, J, K)
RATING	A	D	A (C, E, G, J, K, L) B (H, M); D (A, B)

† = Military designation per MIL-STD-1651.

‡ = Military designation inactive for new design.

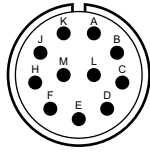
★ = VG95234

MIL-DTL-22992

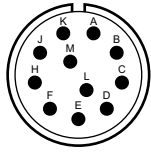
INSERT ARRANGEMENTS BY NUMBER OF CONTACTS

FACE VIEW OF PIN INSERTS SHOWN APPROXIMATELY 3/4 ACTUAL SIZE

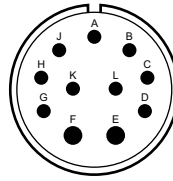
11 CONTACTS



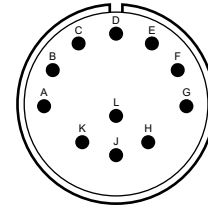
20-31†



20-33†

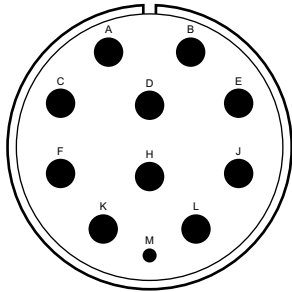


24-20†

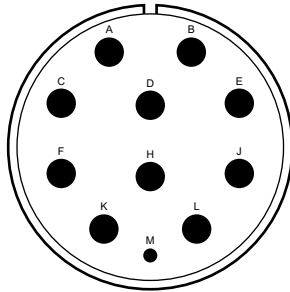


28-14†

CONTACTS	11-#16	11-#16	9-#16 (A-D, G-L) 2-#12 (E, F)	11-#16
RATING	A	A	D For new MIL equip. design, use 28-2	D



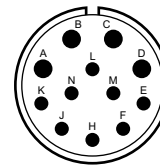
40-67



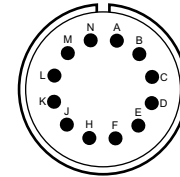
40-80

CONTACTS	1-#16 (M) 10-#4 (A-L)	1-#16 (M) 10-#4 (A-L)
RATING	A	A

12 CONTACTS

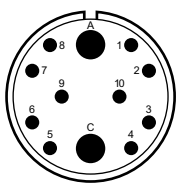


22-63

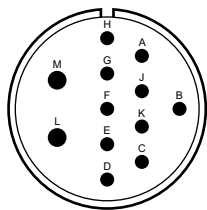


24-19†

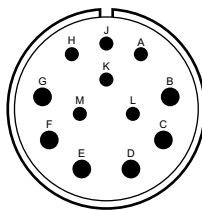
CONTACTS	8-#16 (E-L) 4-#12 (A-D)	12-#16
RATING	A	A



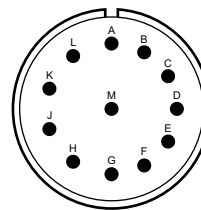
24S12



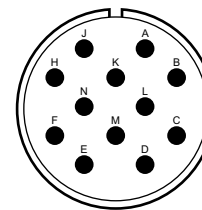
28-8†



28-9†



28-18†



28-51

CONTACTS	10-#16 (1-10) 2-#4 (A, C)	10-#16 (A-K) 2-#12 (L, M)	6-#16 (A, H, M) 6-#12 (B-G)	12-#16	12-#12
RATING	A	D (B); E (L, M) A (balance)	D	A (A, B); C (M) D (G, L); INST. (C-F)	A

† = Military designation per MIL-STD-1651.

‡ = Military designation inactive for new design.

★ = VG95234



INSERT ARRANGEMENTS BY NUMBER OF CONTACTS

FACE VIEW OF PIN INSERTS SHOWN APPROXIMATELY 3/4 ACTUAL SIZE

13 CONTACTS

20-11†	22-70	24A13 24-013	24-58	32A13 32-013
CONTACTS	13-#16	7-#16 (1-6, 13) 6-#12 (7-12)	7-#16 (H-P) 3-#12 (D, E, F); 3-#8 (A, B, C)	13-#12
RATING	INST.	A		D

14 CONTACTS

20-27†	22-19†	24S14	24-59	28-2†	28-20†
CONTACTS	14-#16	12-#16 (1-12) 2-#4 (A, C)	7-#16 (J-R) 7-#12 (A-H)	12-#16 (A, L, N) 2-#12 (M, P)	4-#16 (K-N) 10-#12 (A-J, P)
RATING	A	A	A	D	A

32-4‡	32-9‡	36B78	36D78
CONTACTS	12-#16 (A-F, J-O) 2-#12 (G, H)	12-#16 (C-N) 2-#4 (A, B)	2-#16 (11, 13) 12-#8 (1-10, 12, 14,)
RATING	A (F, J, K, N,) D (balance)	D For new MIL equip. design, use 28-2	D

† = Military designation per MIL-STD-1651.

‡ = Military designation inactive for new design.

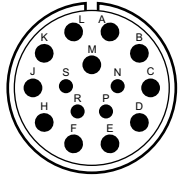
★ = VG95234

MIL-DTL-22992

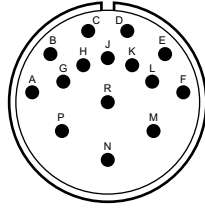
INSERT ARRANGEMENTS BY NUMBER OF CONTACTS

FACE VIEW OF PIN INSERTS SHOWN APPROXIMATELY 3/4 ACTUAL SIZE

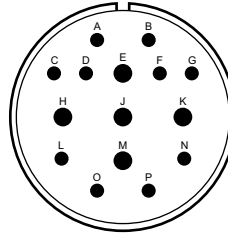
15 CONTACTS



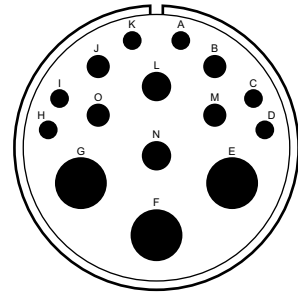
24-65



28-17†



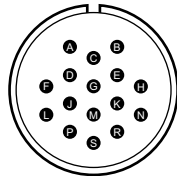
32-12‡



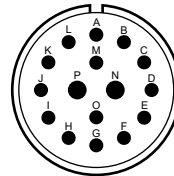
40-5†

CONTACTS	4-#16 (N-S) 11-#12 (A-M)	15-#16	10-#16 (A-D, F, G, L, N-P) 5-#12 (E, H, J, K, M)	6-#12 (C, D, H, I, K) 4-#8 (B, J, M, O) 2-#4(L, N), 3-#0 (E, F, G)
RATING	A	A (A-L); B (R) D (M-P)	A (C-G); D (balance) For new MIL equip. design, use 32-13	D

16 CONTACTS

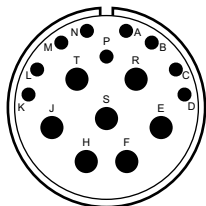


24-5‡

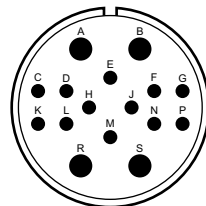


24-7†

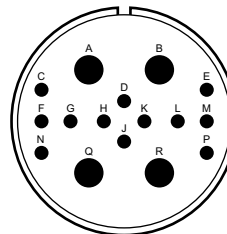
CONTACTS	16-#16	14-#16 (A-M,O) 2-#12 (N,P)
RATING	A For new MIL equip. design, use 22-14	A



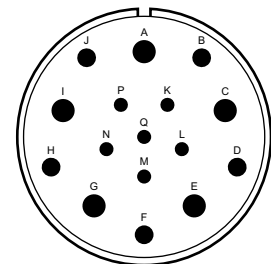
28-79



28-124



32-68



36-14 ‡

CONTACTS	9-#16 (A-D, K-P) 7-#8 (J, R, S, T)	12-#16 (C-P) 4-#8, (A,B,R,S)	12-#16 (C-P) 4-#4, (A,B,Q,R)	6-#16 (K-Q) 5-#12 (B, D, F, H, J) 5-#8 (A, C, E, G, I)
RATING	A	A	A	D

† = Military designation per MIL-STD-1651.

‡ = Military designation inactive for new design.

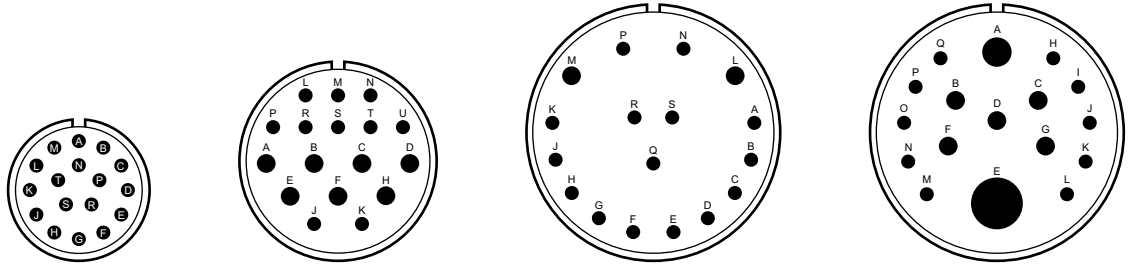
★ = VG95234



INSERT ARRANGEMENTS BY NUMBER OF CONTACTS

FACE VIEW OF PIN INSERTS SHOWN APPROXIMATELY 3/4 ACTUAL SIZE

17 CONTACTS



20-29†

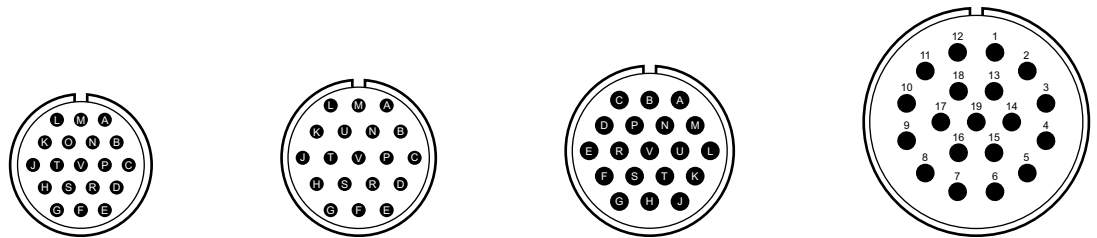
28-59

36-13‡

36-19‡

CONTACTS	17-#16	10-#16 (J-U) 7-#12 (A-H)	15-#16 (A-K, N-S) 2-#12 (L, M)	10-#16 (H-Q) 5-#12 (B-D, F, G) 1-#4 (A), 1-#0 (E)
RATING	A	A	E (N-Q); A (balance)	D

19 CONTACTS



20A48

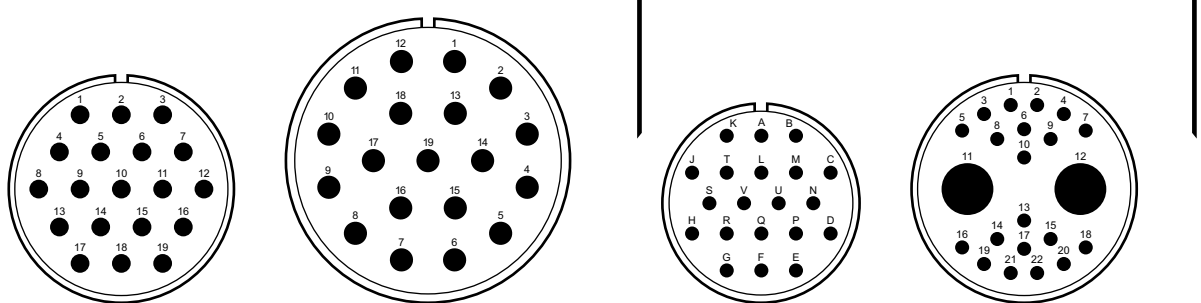
22-14‡

24-67

32S19

CONTACTS	19-#16	19-#16	19-#12	19-#12
RATING	I	A	INST.	A

20 CONTACTS



32-76

40B19

28-16‡

32-76

CONTACTS	19-#12	19-#8	20-#16	20-#16 2-#1/0
RATING	A	A	A For new MIL equip. design, use 28-12	A

† = Military designation per MIL-STD-1651.

‡ = Military designation inactive for new design.

★ = VG95234

MIL-DTL-22992

INSERT ARRANGEMENTS BY NUMBER OF CONTACTS

FACE VIEW OF PIN INSERTS SHOWN APPROXIMATELY 3/4 ACTUAL SIZE

21 CONTACTS		22 CONTACTS		
40-68		28-11†	32B22	36-1‡
CONTACTS	21-#8	18-#16 (A-I, N-X) 4-#12 (J-M)	20-#16 (1-10, 13-22) 2-#4 (11, 12)	18-#16 (A-F, I-R, U-W) 4-#12 (G, H, S, T)
RATING	A	A	A	D For new MIL equip. design, use 32-13

		23 CONTACTS	
36-22 36A22		40-7†	24-80†
CONTACTS	22-#12	18-#16 (A-T), 2-#12 (W, X) 2-#0 (U, V)	23-#16
RATING	D	A (P, Q, U-X); D (balance)	INST.
		32-6†	
		16-#16 (A-O, S) 2-#12 (U, V) 3-#8 (P-T), 2-#4 (W, X)	
		A	

32-13†	40-2†	40-3†	40-4†
18-#16 (A-D, K-Z) 5-#12 (E-J)	23-#16	18-#16 (A-T) 4-#12 (U-X); 1-#4 (Y)	16-#16 (A, C-I, O-V, X) 2-#12 (J, N); 3-#8 (K, L, M); 2-#4 (B, W)
D	B (A-E); D (balance)	D	D

† = Military designation per MIL-STD-1651.

‡ = Military designation inactive for new design.

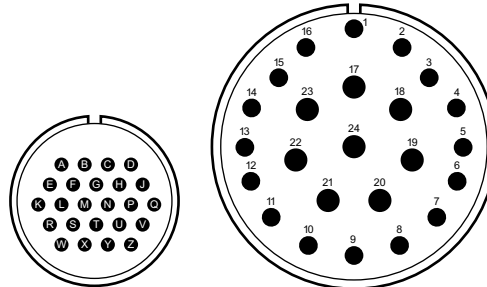
★ = VG95234



INSERT ARRANGEMENTS BY NUMBER OF CONTACTS

FACE VIEW OF PIN INSERTS SHOWN APPROXIMATELY 3/4 ACTUAL SIZE

24 CONTACTS

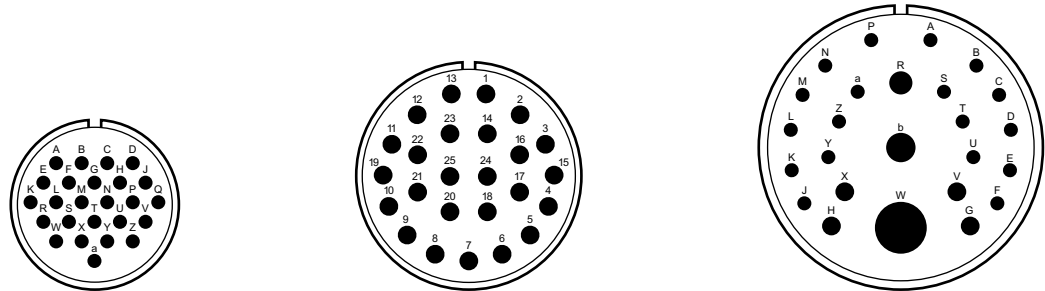


24-28†

40-A24

CONTACTS	24-#16	16-#12 (1-16) 8-#8 (17-24)
RATING	INST.	D

25 CONTACTS



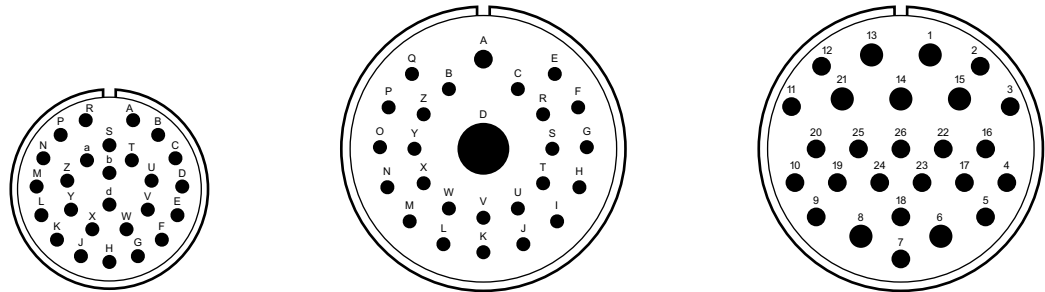
24A25

32A25

40-11†

CONTACTS	25-#16	25-#12	18-#16 (A-F, J-P, S-U, Y, Z a) 4-#12 (G, H, V, X) 1-#8 (R), 1-#4 (b), 1-#0 (W)
RATING	A	A	D

26 CONTACTS



28-12†

40-6†

40-26

CONTACTS	26-#16	24-#16 (B, C, E, Z) 1-#12 (A), 1-#0 (D)	19-#12 (2-5, 7, 9-12, 16-20, 22-26) 7-#8 (1, 6, 8, 13-15, 21)
RATING	A	D	A

† = Military designation per MIL-STD-1651.

‡ = Military designation inactive for new design.

★ = VG95234

MIL-DTL-22992

INSERT ARRANGEMENTS BY NUMBER OF CONTACTS

FACE VIEW OF PIN INSERTS SHOWN APPROXIMATELY 3/4 ACTUAL SIZE

	27 CONTACTS		28 CONTACTS	
	32A27	40A27	24A28	28A63
CONTACTS	10-#12 (1-10) 17-#16 (11-27)	25-#12 (2 thru 8, 10 thru 27) 2-#4 (1,9)	28-#16	19-#16 (K-e) 9-#12 (A-J)
RATING	A	D	I	A (e) I (balance)

	29 CONTACTS			
	28-A29	28A55	40-10†	40-12‡
CONTACTS	27-#16 (1-26,28) 2-#8 (27,29)	29-#16	16-#16 (A, B, E-H, M, N, P, Q, V-Y, b, c) 9-#8 (C, D, I, L, O, R, U, z, a) 4-#4 (J, K, S, T)	22-#16 (A-Z) 6-#12 (a-e, g), 1-#0 (f)
RATING	D	A	A	D

	30 CONTACTS		31 CONTACTS	
	32A30	32-8†	40-1†	28A31
CONTACTS	20-#16 (11-30) 10-#12 (1-10)	24-#16 (A-L, T-Z, a-e) 6-#12 (M-S)	24-#16 (A-L, T-e) 6-#12 (M-S)	25-#18 (1-17, 19, 21, 23, 24, 26, 28, 30, 31) 6-#8 (18, 20, 22, 25, 27, 29)
RATING	A	A For new MIL equip. design, use 32-7	D	A

† = Military designation per MIL-STD-1651.

‡ = Military designation inactive for new design.

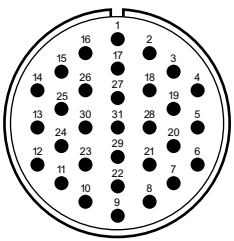
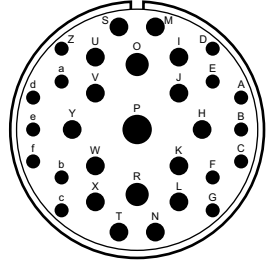
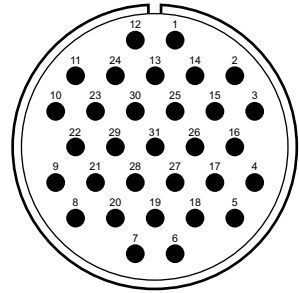
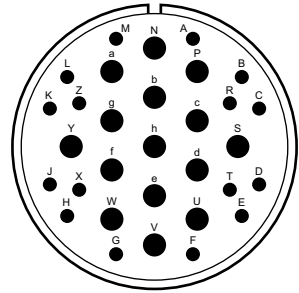
★ = VG95234



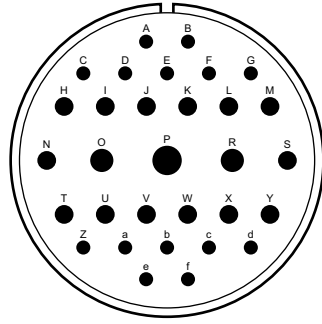
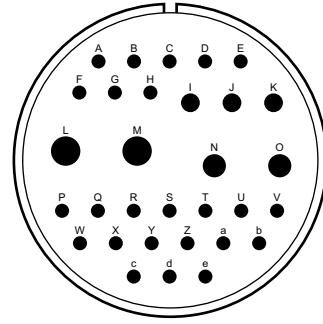
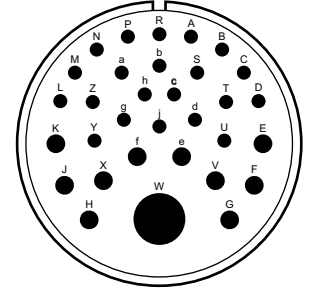
INSERT ARRANGEMENTS BY NUMBER OF CONTACTS

FACE VIEW OF PIN INSERTS SHOWN APPROXIMATELY 3/4 ACTUAL SIZE

31 CONTACTS (CONT.)

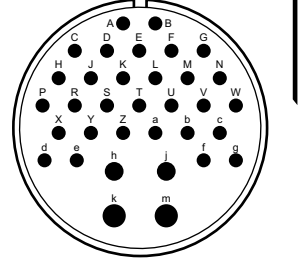
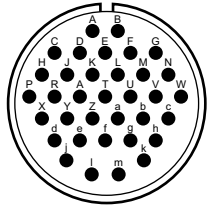
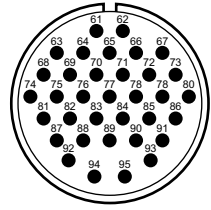
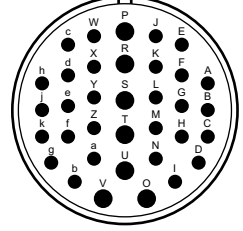
			
32-31	36-9†	40-31	40A51
CONTACTS	31-#16	14-#16 (A-G, Z-f) 14-#12 (H-N, S-Y) 2-#8 (O, R), 1-#4 (P)	16-#16 (A-M,R,T,X,Z) 15-#8 (N,P,S,U-W,Y,a-h)
RATING	A	A	D

32 CONTACTS

			
44-2†	44-3†	40-14†	
CONTACTS	14-#16 (A-G, Z-f) 14-#12 (H-N,S-Y) 2-#8 (O,R), 1-#4 (P)	24-#16 (A-H, P-e) 3-#12 (I, J, K) 2-#8 (N, O), 2-#4 (L, M)	21-#16 (A-D, L-U, Y-d, g, h, i) 10-#12 (E-K, V, X, e, f) 1-#0 (W)
RATING	D	D	

34 CONTACTS

35 CONTACTS

			
36-20†	28-15†	28A35	32-7†
CONTACTS	30-#16 (A-g) 2-#12 (h-j) 2-#8 (k, m)	35-#16	35-#16
RATING	A	A	A
	A For new MIL equip. design, use 28-21	A	INST. (A,B,h,j) A (balance)

† = Military designation per MIL-STD-1651.

‡ = Military designation inactive for new design.

★ = VG95234

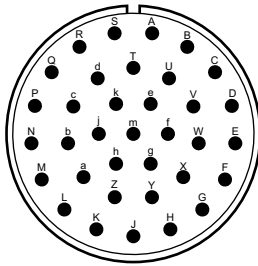


MIL-DTL-22992

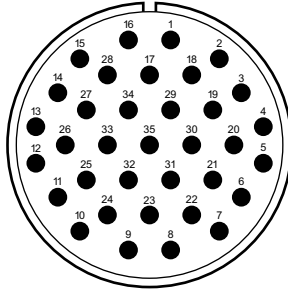
INSERT ARRANGEMENTS BY NUMBER OF CONTACTS

FACE VIEW OF PIN INSERTS SHOWN APPROXIMATELY 3/4 ACTUAL SIZE

35 CONTACTS (CONT.)

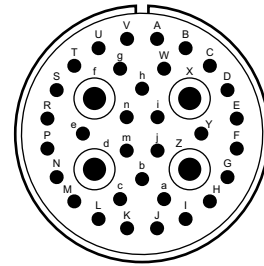


36-15†



40-35

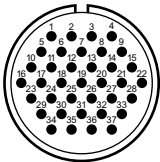
36 CONTACTS



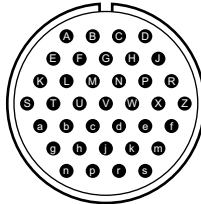
36-35

CONTACTS	35-#16	35-#12	4-#8 (d, f, X, Z) 32-#16 (A-W, Y, a, b, c, e, g-n)
RATING	D (m); A (balance)	D	A

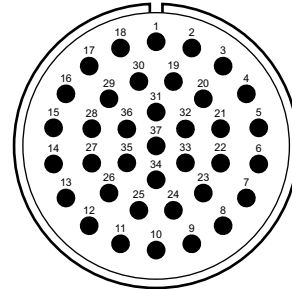
37 CONTACTS



22A37



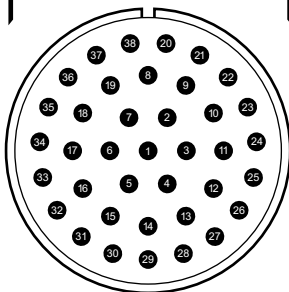
28-21†



40B37

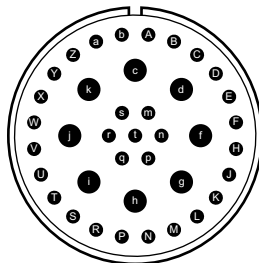
CONTACTS	37-#18	37-#16	37-#12
RATING	A	A	A

38 CONTACTS



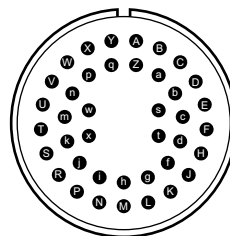
40A38

39 CONTACTS



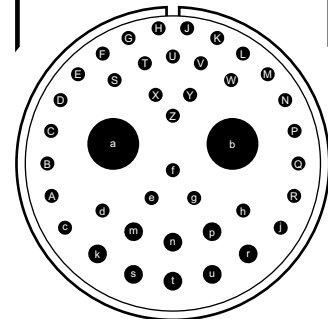
36-54

40 CONTACTS



32A40

41 CONTACTS



44-4†

CONTACTS	38-#12	31-#16 (A-b, m-t) 8-#8 (c-k)	40-#16	31-#16 (A-Z, c, j) 8-#12 (k-u), 2-#0 (a, b)
RATING	A	A	A	D

† = Military designation per MIL-STD-1651.

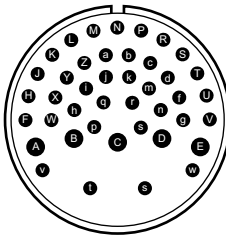
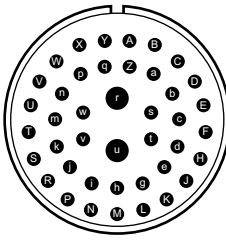
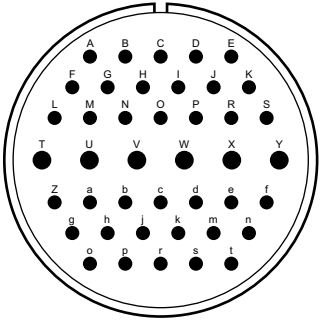
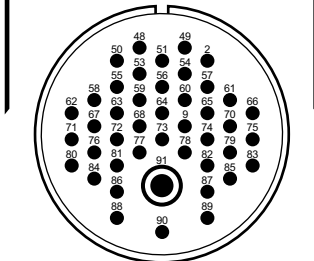
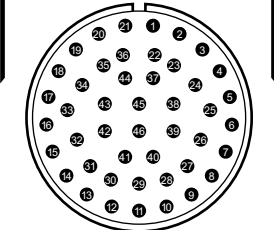
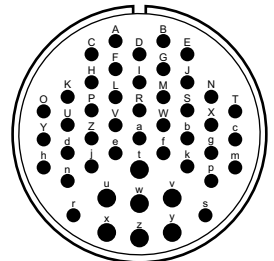
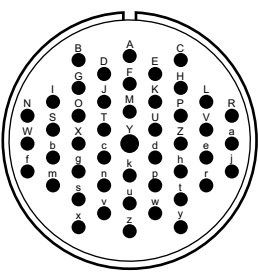
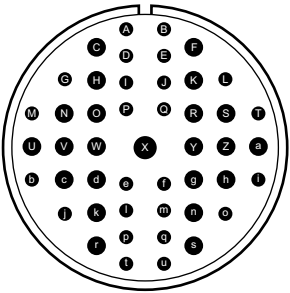
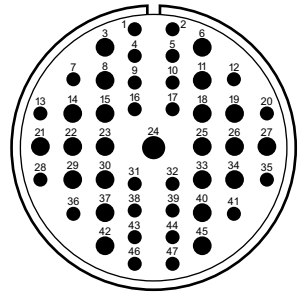
‡ = Military designation inactive for new design.

★ = VG95234



INSERT ARRANGEMENTS BY NUMBER OF CONTACTS

FACE VIEW OF PIN INSERTS SHOWN APPROXIMATELY 3/4 ACTUAL SIZE

42 CONTACTS			
			
32-53	32-59	44-1†	
CONTACTS	37-#16 (F-w) 5-#12 (A-E)	2-#8 (r, u) 40-#16 (balance)	36-#16 (A-S, Z-t) 6-#12 (T-Y)
RATING	E (t,u); INST. (balance)	A	D
44 CONTACTS			
			
36-74			
CONTACTS			
43-#16 (48-90) 1-#8			
RATING			
A			
46 CONTACTS			
			
32-73‡			
CONTACTS			
46-#16			
RATING			
A			
47 CONTACTS			
			
36-7†			
CONTACTS			
40-#16 (A-Z, a-s) 7-#12 (t-z)			
RATING			
A			
36-8†			
			
36-8†			
CONTACTS			
46-#16 (A-X, Z-z) 1-#12 (Y)			
RATING			
A			
40-9†			
			
40-9†			
CONTACTS			
24-#16 (A, B, D, E, G, I, J, L, M, P, Q, T, b, e, f, i, j, l, m, o, p, q, t, u) 22-#12 (C, F, H, K, N, O, R, S, U-W, Y, Z, a, c, d, g, h, k, n, r, s), 1-#8 (X)			
RATING			
A			
40-47			
			
40-47			
CONTACTS			
24-#16 (1,2,4,5,7,9,10,12,13,16,17,20,28, 31,32,25, 38,39,44, 43,44,46,47) 22-#12 (3,6,8,11,14,15,18,19,21,22,23,25,26, 27,29,30,33,34,37,40,42,45) 1-#8 (24)			
RATING			
A			

† = Military designation per MIL-STD-1651.

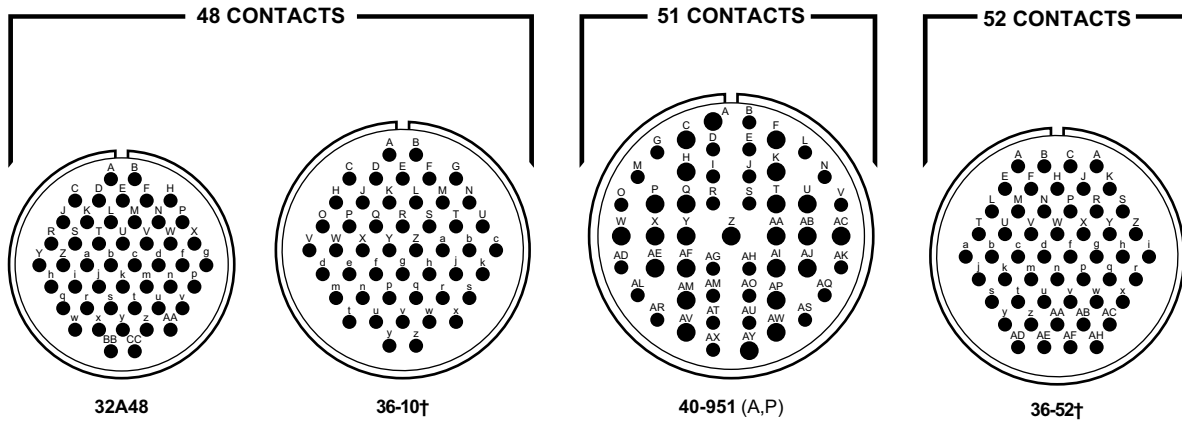
‡ = Military designation inactive for new design.

★ = VG95234

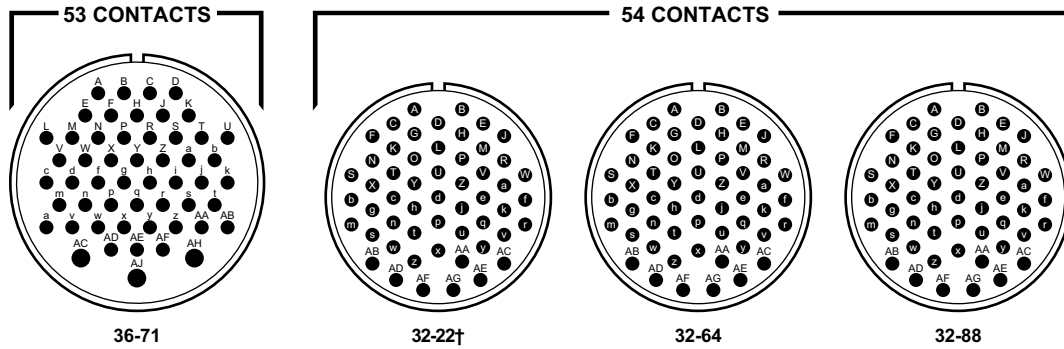
MIL-DTL-22992

INSERT ARRANGEMENTS BY NUMBER OF CONTACTS

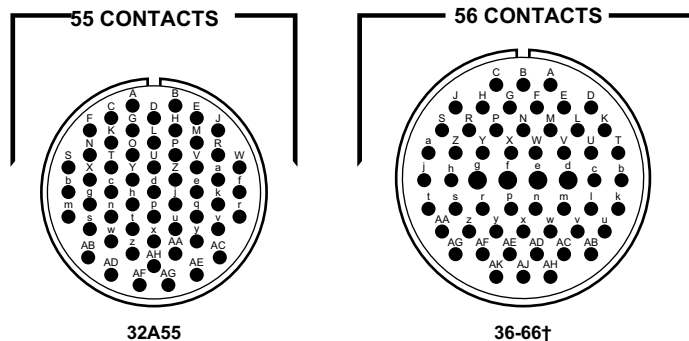
FACE VIEW OF PIN INSERTS SHOWN APPROXIMATELY 3/4 ACTUAL SIZE



CONTACTS	48-#16	48-#16	25-#12 (A,C,F,H,K,P,Q,T,U,W-AC, AE,AF,AI,AJ,AM,AP,AV,AW) 26-#16 (balance)	52-#16
RATING	I	A	A	A



CONTACTS	50-#16 (A-AB, AD-AF) 3-#12 (AC, AH, AJ)	54-#16	54-#16	54-#16
RATING	A	A	INST.	A



CONTACTS	55-#16	52-#16 (A-c, h-AH) 4-#12 (d, e, f, g)
RATING	A	A

† = Military designation per MIL-STD-1651.

‡ = Military designation inactive for new design.

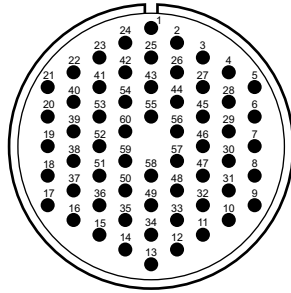
★ = VG95234



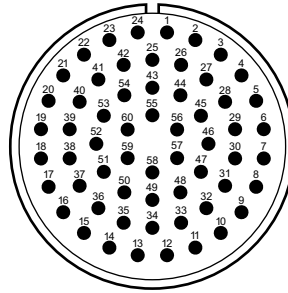
INSERT ARRANGEMENTS BY NUMBER OF CONTACTS

FACE VIEW OF PIN INSERTS SHOWN APPROXIMATELY 3/4 ACTUAL SIZE

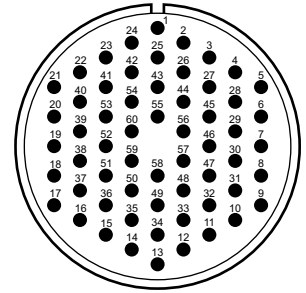
60 CONTACTS



40S27



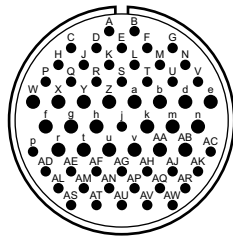
40-53



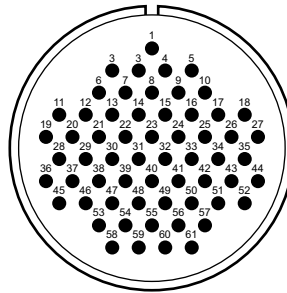
40-62

CONTACTS	60-#16	60-#16	60-#16
RATING	A	A	A

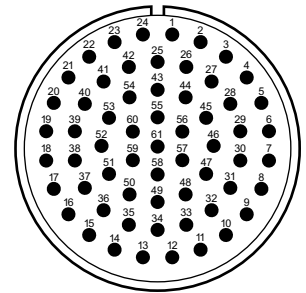
61 CONTACTS



32A69★



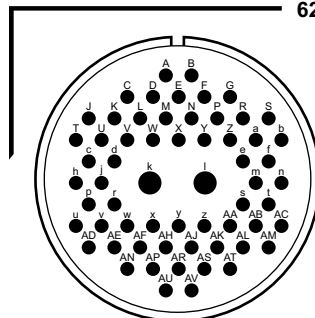
40-70



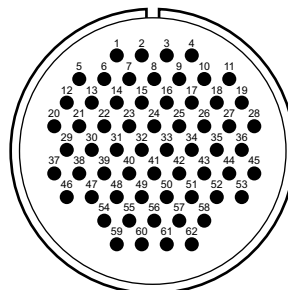
40-63

CONTACTS	41-#18 (A-V, j, p, AC-AW) 20-#16 (W-Z, a-v, AA, AB)	61-#16	61-#16
RATING	I	A	A

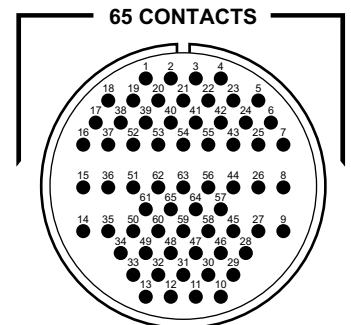
62 CONTACTS



40A62



40-82



40A65

CONTACTS	60-#16 (A-j,m-AV) 2-#8 (k,l)	62-#16	65-#16
RATING	A	A	A

† = Military designation per MIL-STD-1651.

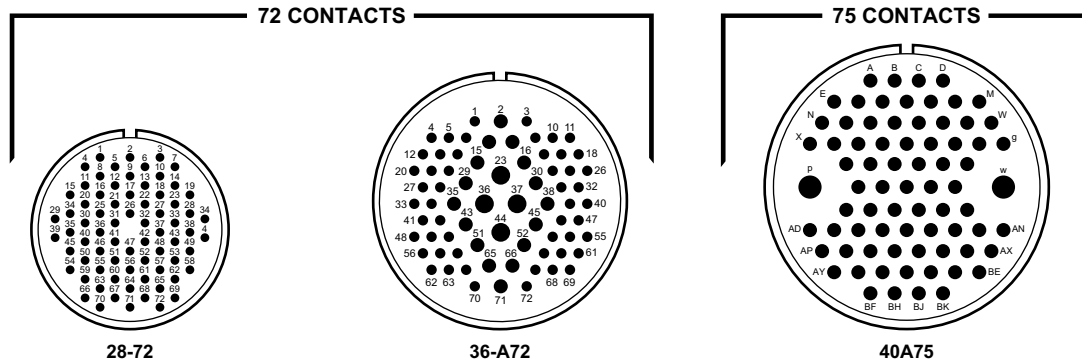
‡ = Military designation inactive for new design.

★ = VG95234

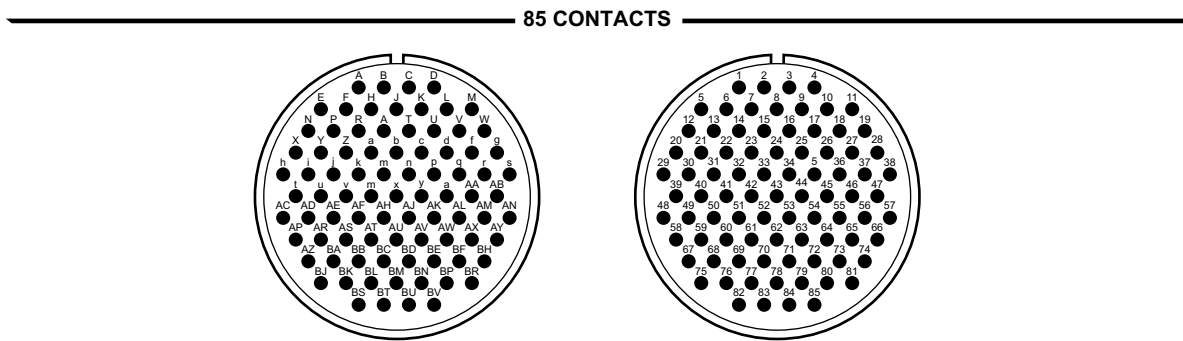
MIL-DTL-22992

INSERT ARRANGEMENTS BY NUMBER OF CONTACTS

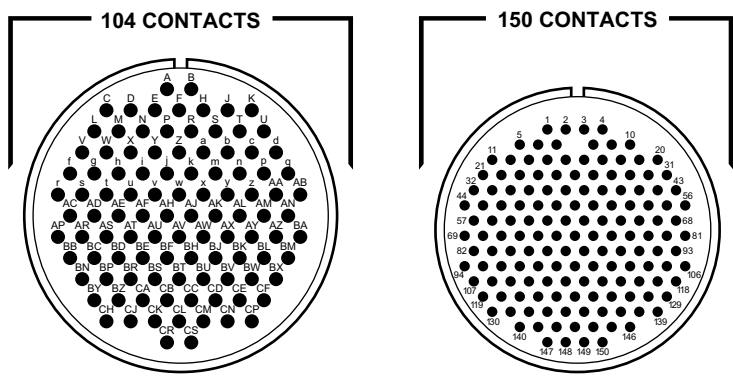
FACE VIEW OF PIN INSERTS SHOWN APPROXIMATELY 3/4 ACTUAL SIZE



CONTACTS	72-#20	52-#18 (balance) 16-#16 (2,7,8,15,16,29,30,35,38,43,45,51,52,65,66,71) 4-#12 (23,36,37,44)	73-#16 (A-n, q-v, x-BK) 2-#8 (p, w)
RATING	I	I	A



CONTACTS	85-#16	40A56 Numbered 71-156 40N56 Numbered 1-85
RATING	A	A



CONTACTS	104-#16	40-150 40A150
RATING	A	I

† = Military designation per MIL-STD-1651. ‡ = Military designation inactive for new design. ★ = VG95234

SECTION 4L

MIL-DTL-22992

SPECIAL FEATURES

TECHNICAL DATA

CONTACTS & TOOLS

SPECIAL FEATURES

Spacecraft can supply connectors with:

1. Plugs with a self-locking coupling nut, which eliminates the need for safety wire. A low-cost coupling mechanism is available for all series.
2. Our connectors can provide superior EMI/RFI shielding by:
 - A. Providing full accessory teeth at the rear of the connector shell, thus minimizing "leakage."
 - B. To further enhance performance, plugs can be supplied with grounding fingers around the outside of the barrel.
 - C. Receptacles can be supplied with an internal grounding spring.
3. Shells/hardware can be provided in a high impact/strength aluminum as well as carbon steel, 300 series stainless and naval brass.
4. A wide range of finishes are available:
 - A. Anodize - both hard and soft.
 - B. Cadmium to pass 48, 96, 500 or 1000 hours salt spray.
 - C. Electroless nickel.
 - D. Zinc Boron.
 - E. Zinc Cobalt in black or olive drab.
5. Standard insert material is neoprene, but can be provided in fuel resistant Viton silicone or halogen-free neoprene.
6. Various backshell configurations are available for environmental and non-environmental applications together with EMI/RFI protection. See our Catalog 401 for details.

TABLE I. CONTACT ARRANGEMENT SERVICE RATING

MS SERVICE RATING	RECOMMENDED OPERATING VOLTAGE* AT SEA LEVEL		EFFECTIVE CREEPAGE DISTANCE NOM.	MECHANICAL SPACING NOM.
	DC	AC (RMS)		
INST	250	200	1/16	
A	700	500	1/8	1/16
D	1250	900	3/16	1/8
E	1750	1250	1/4	3/16
B	2450	1750	5/16	1/4
C	4200	3000	1	5/16

* The values listed in Table I represent operating values which include a generous safety factor. It may be necessary for some applications to exceed the operating voltages listed here. If this is necessary, designers will find Table II useful for determining the degree to which the recommended values of Table I can be exceeded.

ELECTRICAL SERVICE DATA

Test current ratings of contacts and allowable voltage drop under test conditions when assembled as in service are shown below. Maximum total current to be carried per connector is the same as the allowable in wire bundles as specified in MIL-W-5088.

ALTITUDE VOLTAGE DERATING CHART**

MS SERVICE RATING	NOMINAL DISTANCE		STANDARD SEA LEVEL CONDITIONS		PRESSURE ALTITUDE† 50,000 FEET		PRESSURE ALTITUDE† 70,000 FEET	
	AIRSPACE	CREEPAGE	MINIMUM FLASHOVER VOLTAGE AC (RMS)	TEST VOLTAGE AC (RMS)	MINIMUM FLASHOVER VOLTAGE AC (RMS)	TEST VOLTAGE AC (RMS)	MINIMUM FLASHOVER VOLTAGE AC (RMS)	TEST VOLTAGE AC (RMS)
INST	1/32	1/16	1400	1000	550	400	325	260
A	1/16	1/8	2800	2000	800	600	450	360
D	1/8	3/16	3600	2800	900	675	500	400
E	3/16	1/4	4500	3500	1000	750	550	440
B	1/4	5/16	5700	4500	1100	825	600	480
C	5/16	1	8500	7000	1300	975	700	560

† Not corrected for changes in density due to variations in temperature.

** No attempt has been made to recommend operating voltages. The designer must determine his own operating voltage by the application of a safety factor to the above derating chart to compensate for circuit transients, surges, etc.

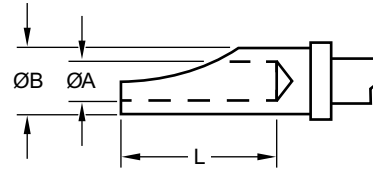
CONTACT RATINGS

CONTACT SIZE	WIRE SIZE	RATED CURRENT	POTENTIAL DROP	MAX CURRENT
20	20	7.5A	83 mV	7.5A
18	18	7.5	83 mV	10A
16 & 16S	16 AWG	13 A	49 mV	22A
12	12 AWG	23 A	42 mV	41A
8	8 AWG	46 A	26 mV	73A
4	4 AWG	80 A	23 mV	135A
0	0 AWG	150 A	21 mV	245A
4/0	4/0	225A	53 mV	350A



SOLDER CONTACT CURRENT RATINGS*

MATING END SIZE	WIRE BARREL SIZE	ALLOWABLE WIRE SIZE	TEST CURRENT** AMPS
15/16S	16	16, 18, 20, 22	13, 10, 7.5, 5
12	12	12, 14	23, 17
8	8	8, 10	46, 33
4	4	4, 6	80, 60
0	0	0, 1, 2	150, 125, 100



SOLDER CUP DIMENSIONS

CONTACT SIZE	A MIN	B	L
16	.069 [1.75]	.096/.116 [2.43/2.94]	.250/.313 [6.35/7.95]
12	.112 [2.84]	.130/.150 [3.30/3.81]	.375/.438 [9.52/11.12]
8	.205 [5.20]	.243/.259 [6.17/6.57]	.500/.563 [12.70/14.30]
4	.328 [8.33]	.370/.397 [9.39/10.08]	.625/.688 [15.87/17.47]
0	.464 [11.78]	.510/.550 [12.95/13.97]	.625/.688 [15.87/17.47]

Dimensions in brackets [] are in millimeters.

TABLE II. WIRE RANGE ACCOMMODATIONS

CONTACT SIZE	WIRE SIZE	ØD OF FINISHED WIRE (INCH)					
		SOLDER CONTACT CONNECTORS		CRIMP CONTACT CONNECTORS			
		MIN	MAX	FRONT RELEASE		REAR RELEASE	
16-16	20	.064 [1.63]	.130 [3.30]	0.66	.130	.053	.103
	18			[1.68]	[3.30]	[1.35]	[2.62]
	16						
12-12	14	.114 [2.90]	.170 [4.32]	.097	.170	.085	.158
	12			[2.46]	[4.32]	[2.16]	[4.01]
8-8	10	.164 [4.17]	.255 [6.48]	.132	.255	.132	.255
	8			[3.35]	[6.48]	[3.35]	[6.48]
4-4	6	.272 [6.91]	.370 [9.40]	.237	.370	.237	.370
	4			[6.02]	[9.40]	[6.02]	[9.40]
0-0	2	.415 [10.54]	.550 [13.97]	.360	.550	.360	.550
	0			[9.14]	[13.97]	[9.14]	[13.97]

* Solder Wells Filled

** Contact ratings as stated are test ratings only. The connector could not withstand full rated current through all contacts continuously. Please note that the electrical data given is not an establishment of electrical safety factors. This is left entirely in the designer's hands as he can best determine which peak voltage, switching surges, transients, etc. can be expected in a particular circuit.

MIL-DTL-22992 - SOLDER CONTACTS

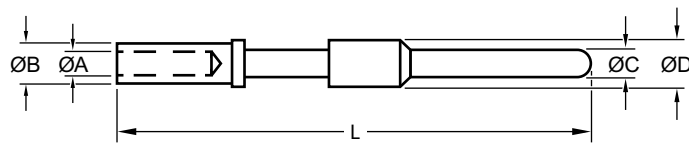
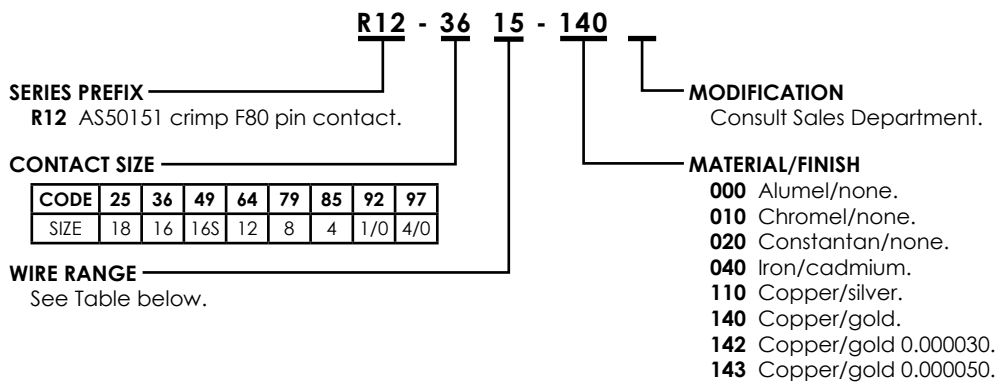
SIZE	PIN	PIN FILLED SOLDER CUP (NOTE 1)	SOCKET (NOTE 1)	SOCKET FILLED SOLDER CUP (NOTE 1)	MATERIAL	FINISH	COLOR CODE
16S	P12-5100-310	P12-5100-315	S12-5100-610	S12-5100-615	Note 2	Silver	-
	P12-5100-000	-	S12-5100-000	-	Alumel	None	Green
	P12-5100-010	-	S12-5100-010	-	Chromel	None	White
	P12-5100-020	-	S12-5100-020	-	Constantan	None	Black
	P12-5100-040	-	S12-5100-040	-	Iron	Cadmium	Yellow
16	P12-3800-310	P12-3800-315	S12-3800-610	S12-3800-615	Note 2	Silver	-
	P12-3800-000	-	S12-3800-000	-	Alumel	None	Green
	P12-3800-010	-	S12-3800-010	-	Chomel	None	White
	P12-3800-020	-	S12-3800-020	-	Constantan	None	Black
	P12-3800-040	-	S12-3800-040	-	Iron	Cadmium	Yellow
12	P12-6500-310	P12-6500-315	S12-6500-610	S12-6500-615	Note 2	Silver	-
	P12-6500-000	-	S12-6500-000	-	Alumel	None	Green
	P12-6500-010	-	S12-6500-010	-	Chromel	None	White
	P12-6500-020	-	S12-6500-020	-	Constantan	None	Black
	P12-6500-040	-	S12-6500-040	-	Iron	Cadmium	Yellow
8	P12-7900-310	P12-7900-315	S12-7900-510	S12-7900-515	Note 2	Silver	-
4	P12-8500-310	P12-8500-315	S12-8500-510	S12-8500-515	Note 2	Silver	-
1/0	P12-9200-310	P12-9200-315	S12-9200-510	S12-9200-515	Note 2	Silver	-

Note 1: Only MS3100 thru MS3108 and MS25183 connectors are supplied with solder filled cups
 Note 2: Pins are brass; Sockets are copper.

MIL-DTL-22992

PIN F80 CRIMP CONTACTS DOES NOT APPLY TO MS SERIES

ORDERING INFORMATION



PART NUMBER	SIZE	MATERIAL	FINISH	FOR WIRE SIZE		A	B	C	D	L
				AWG	MM					
R12-2500-110	18	Copper	Silver	20-26	0.60-0.15	.052 [1.30]	.076 [1.93]	.055 [1.46]	0.95 [2.40]	1.165 [29.61]
R12-3632-110	16	Copper	Silver	28-32	-	.018 [0.45]	.077 [1.95]	.062 [1.58]	.126 [3.20]	1.250 [31.75]
R12-3608-110	16	Copper	Silver	24-26	0.20-0.15	.034 [0.85]	.061 [1.55]	.062 [1.58]	.126 [3.20]	1.250 [31.75]
R12-3613-110	16	Copper	Silver	20-26	0.60-0.15	.052 [1.30]	.076 [1.93]	.062 [1.58]	.126 [3.20]	1.250 [31.75]
R12-3612-110	16	Copper	Silver	20	0.60	.048 [1.20]	.102 [2.60]	.062 [1.58]	.126 [3.20]	1.250 [31.75]
R12-3615-110	16	Copper	Silver	18	1.0	.060 [1.50]	.102 [2.60]	.062 [1.58]	.126 [3.20]	1.250 [31.75]
R12-3600-110	16	Copper	Silver	16-18	1.5-1.0	.067 [1.70]	.102 [2.60]	.062 [1.58]	.126 [3.20]	1.250 [31.75]
R12-3600-000	16	Alum el	None	16	1.5-1.0	.067 [1.70]	.102 [2.60]	.062 [1.58]	.126 [3.20]	1.250 [31.75]
R12-3600-010	16	Chromel	None	16	1.5-1.0	.067 [1.70]	.102 [2.60]	.062 [1.58]	.126 [3.20]	1.250 [31.75]
R12-3600-020	16	Constantan	None	16	1.5-1.0	.067 [1.70]	.102 [2.60]	.062 [1.58]	.126 [3.20]	1.250 [31.75]
R12-3600-040	16	Iron	Cadmium	16	1.5-1.0	.067 [1.70]	.102 [2.60]	.062 [1.58]	.126 [3.20]	1.250 [31.75]
R12-3620-110	16	Copper	Silver	14	2.0	.078 [2.00]	.115 [2.90]	.062 [1.58]	.126 [3.20]	1.250 [31.75]
R12-3626-110	16	Copper	Silver	12	3.0	.099 [2.50]	.150 [3.80]	.062 [1.58]	.126 [3.20]	1.250 [31.75]
R12-4913-110	16S	Copper	Silver	20-26	0.60-0.15	.052 [1.30]	.076 [1.93]	.062 [1.58]	.126 [3.20]	1.050 [26.65]
R12-4912-110	16S	Copper	Silver	20	0.60	.048 [1.20]	.102 [2.60]	.062 [1.58]	.126 [3.20]	1.050 [26.65]
R12-4915-110	16S	Copper	Silver	18	1.0	.060 [1.50]	.102 [2.60]	.062 [1.58]	.126 [3.20]	1.050 [26.65]
R12-4900-110	16S	Copper	Silver	16-18	1.5	.067 [1.70]	.102 [2.60]	.062 [1.58]	.126 [3.20]	1.050 [26.65]
R12-4900-000	16S	Alum el	None	16	1.5	.067 [1.70]	.102 [2.60]	.062 [1.58]	.126 [3.20]	1.050 [26.65]
R12-4900-010	16S	Chromel	None	16	1.5	.067 [1.70]	.102 [2.60]	.062 [1.58]	.126 [3.20]	1.050 [26.65]
R12-4900-020	16S	Constantan	None	16	1.5	.067 [1.70]	.102 [2.60]	.062 [1.58]	.126 [3.20]	1.050 [26.65]
R12-4900-040	16S	Iron	Cadmium	16	1.5	.067 [1.70]	.102 [2.60]	.062 [1.58]	.126 [3.20]	1.050 [26.65]
R12-4920-110	16S	Copper	Silver	14	2.0	.078 [2.00]	.115 [2.90]	.062 [1.58]	.126 [3.20]	1.050 [26.65]
R12-4926-110	16S	Copper	Silver	12	3.0	.099 [2.50]	.150 [3.80]	.062 [1.58]	.126 [3.20]	1.050 [26.65]
R12-6412-110	12	Copper	Silver	20	0.60	.048 [1.20]	.102 [2.60]	.093 [2.38]	.189 [4.80]	1.480 [37.65]
R12-6415-110	12	Copper	Silver	18	1.0	.060 [1.50]	.134 [3.40]	.093 [2.38]	.189 [4.80]	1.480 [37.65]
R12-6420-110	12	Copper	Silver	14-18	2.0-1.0	.078 [2.00]	.150 [3.80]	.093 [2.38]	.189 [4.80]	1.480 [37.65]
R12-6422-110	12	Copper	Silver	-	2.5	.087 [2.20]	.150 [3.80]	.093 [2.38]	.189 [4.80]	1.480 [37.65]
R12-6400-110	12	Copper	Silver	12	3.0	.099 [2.50]	.154 [3.90]	.093 [2.38]	.189 [4.80]	1.480 [37.65]
R12-6400-000	12	Alumel	None	12	3.0	.099 [2.50]	.154 [3.90]	.093 [2.38]	.189 [4.80]	1.480 [37.65]
R12-6400-010	12	Chromel	None	12	3.0	.099 [2.50]	.154 [3.90]	.093 [2.38]	.189 [4.80]	1.480 [37.65]
R12-6400-020	12	Constantan	None	12	3.0	.099 [2.50]	.154 [3.90]	.093 [2.38]	.189 [4.80]	1.480 [37.65]

continued on next page



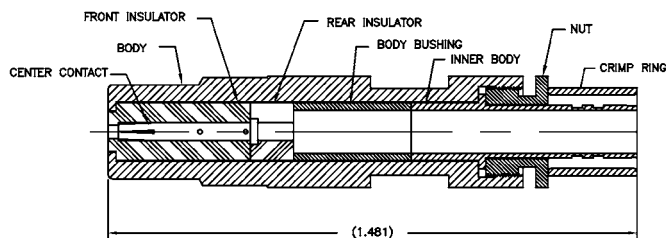
continued from previous page

PART NUMBER	SIZE	MATERIAL	FINISH	FOR WIRE SIZE		A	B	C	D	L
				AWG	MM					
R12-6400-040	12	Iron	Cadmium	12	3.0	.099 [2.50]	.154 [3.90]	.093 [2.38]	.189 [4.80]	1.480 [37.65]
R12-6430-110	12	Copper	Silver	-	4.0	.118 [3.00]	.176 [4.80]	.093 [2.38]	.189 [4.80]	1.480 [37.65]
R12-6431-110	12	Copper	Silver	-	4.0	.130 [3.30]	.166 [4.20]	.093 [2.38]	.189 [4.80]	1.480 [37.65]
R12-6438-110	12	Copper	Silver	10	6.0	.142 [3.60]	.176 [4.80]	.093 [2.38]	.189 [4.80]	1.480 [37.65]
R12-6408-110	12	Copper	Silver	8	9.0	.177 [4.50]	.272 [6.90]	.093 [2.38]	.189 [4.80]	1.480 [37.65]
R12-7915-110	8	Copper	Silver	18	1.0	0.60 [1.50]	.134 [3.40]	.141 [3.59]	.307 [7.80]	1.603 [40.70]
R12-7918-110	8	Copper	Silver	14-18	2.0-1.0	0.71 [1.80]	.150 [3.80]	.141 [3.59]	.307 [7.80]	1.603 [40.70]
R12-7926-110	8	Copper	Silver	12	3.0	.099 [2.50]	.154 [3.90]	.141 [3.59]	.307 [7.80]	1.603 [40.70]
R12-7930-110	8	Copper	Silver	-	4.0	.118 [3.00]	.176 [4.80]	.141 [3.59]	.307 [7.80]	1.603 [40.70]
R12-7900-110	8	Copper	Silver	8	9.0	.177 [4.50]	.272 [6.90]	.141 [3.59]	.307 [7.80]	1.603 [40.70]
R12-7950-110	8	Copper	Silver	-	10.0	.201 [5.00]	.272 [6.90]	.141 [3.59]	.307 [7.80]	1.603 [40.70]
R12-7958-110	8	Copper	Silver	-	13.2	.229 [5.80]	.307 [7.80]	.141 [3.59]	.307 [7.80]	1.603 [40.70]
R12-8522-110	4	Copper	Silver	-	2.5	.087 [2.20]	.150 [3.80]	.225 [5.70]	.433 [11.00]	1.625 [41.25]
R12-8526-110	4	Copper	Silver	12	3.0	.099 [2.50]	.150 [3.80]	.225 [5.70]	.433 [11.00]	1.625 [41.25]
R12-8530-110	4	Copper	Silver	-	4.0	.118 [3.00]	.189 [4.80]	.225 [5.70]	.433 [11.00]	1.625 [41.25]
R12-8550-110	4	Copper	Silver	-	10.0	.201 [5.00]	.275 [7.00]	.225 [5.70]	.433 [11.00]	1.625 [41.25]
R12-8562-110	4	Copper	Silver	-	16.0	.244 [6.20]	.374 [9.50]	.225 [5.70]	.433 [11.00]	1.625 [41.25]
R12-8500-110	4	Copper	Silver	4	22.0	.280 [7.10]	.375 [9.53]	.225 [5.70]	.433 [11.00]	1.625 [41.25]
R12-8525-110	4	Copper	Silver	-	25.0	.307 [7.80]	.374 [9.50]	.225 [5.70]	.433 [11.00]	1.625 [41.25]
R12-8535-110	4	Copper	Silver	-	35.0	.354 [9.00]	.565 [14.35]	.225 [5.70]	.433 [11.00]	1.625 [41.25]
R12-9245-110	1/0	Copper	Silver	8	9.0	.177 [4.55]	.268 [6.80]	.356 [9.05]	.595 [15.11]	1.803 [46.50]
R12-9250-110	1/0	Copper	Silver	-	10.0	.201 [5.00]	.275 [7.00]	.356 [9.05]	.595 [15.11]	1.803 [46.50]
R12-9246-110	1/0	Copper	Silver	4	22.0	.281 [7.15]	.375 [9.53]	.356 [9.05]	.595 [15.11]	1.803 [46.50]
R12-9225-110	1/0	Copper	Silver	-	25.0	.307 [7.80]	.374 [9.50]	.356 [9.05]	.595 [15.11]	1.803 [46.50]
R12-9235-110	1/0	Copper	Silver	-	35.0	.354 [9.00]	.565 [14.35]	.356 [9.05]	.595 [15.11]	1.803 [46.50]
R12-9275-110	1/0	Copper	Silver	-	50.0	.421 [10.70]	.565 [14.35]	.356 [9.05]	.595 [15.11]	1.803 [46.50]
R12-9200-110	1/0	Copper	Silver	1/0	53.0	.453 [11.50]	.565 [14.35]	.356 [9.05]	.595 [15.11]	1.803 [46.50]
R12-9790-110	4/0	Copper	Silver	2	33.5	.354 [9.00]	.565 [14.35]	.500 [12.69]	.787 [20.00]	2.35 [59.70]
R12-97115-110	4/0	Copper	Silver	1/0	53.0	.453 [11.50]	.565 [14.35]	.500 [12.69]	.787 [20.00]	2.33 [59.20]
R12-97135-110	4/0	Copper	Silver	2/0	67.4	.532 [13.50]	.650 [16.50]	.500 [12.69]	.787 [20.00]	2.40 [60.90]
R12-9700-110	4/0	Copper	Silver	4/0	107.0	.650 [16.50]	.787 [20.00]	.500 [12.69]	.787 [20.00]	2.60 [65.90]

Dimensions in brackets [] are in millimeters.

4L

SIZE 8 COAXIAL CONTACT



TYPICAL PIN CONSTRUCTION
A12-4XXX-853

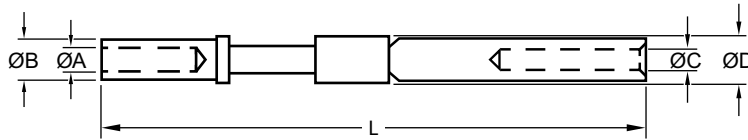
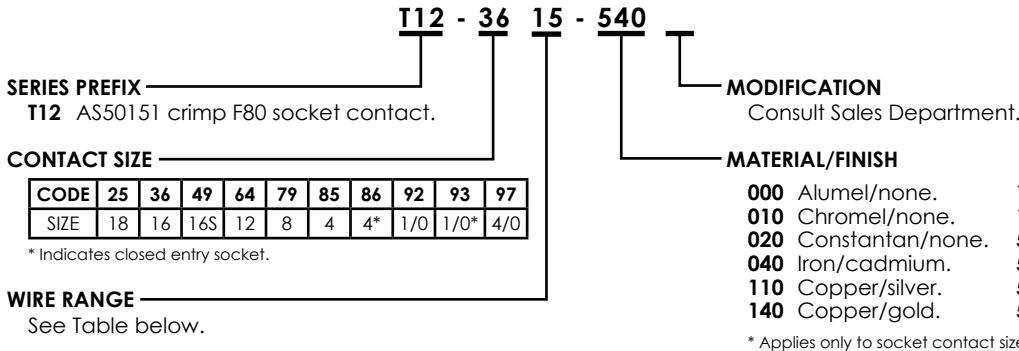
CABLE RG	PIN	CRIMP TOOL DIE*	DIE CLOSURE
RG-58	A12-4000-853	M22520/5-41	B
RG-141	A12-4020-853	M22520/5-41	B
RG-59	A12-4100-853	M22520/5-19	A
RG-62A; 62B	A12-4110-853	M22520/5-45	B
RG-174	A12-4200-853	M22520/5-35	B
RG-179B; 316	A12-4210-853	M22520/5-35	B
RG-180B	A12-4300-853	M22520/5-19	B

* USE CRIMP TOOL M22520/5-01

MIL-DTL-22992

SOCKET F80 CRIMP CONTACTS DOES NOT APPLY TO MS SERIES

ORDERING INFORMATION



PART NUMBER	SIZE	MATERIAL	FINISH	FOR WIRE SIZE		A	B	C	D	L
				AWG	MM ²					
T12-2500-110	18	Copper	Silver	20-26	0.60-0.15	.052 [1.30]	.076 [1.93]	.056 [1.46]	.095 [2.40]	1.197 [34.40]
T12-3632-110	16	Copper	Silver	28-32	-	.018 [0.45]	.077 [1.95]	.065 [1.65]	.126 [3.20]	1.440 [36.50]
T12-3608-110	16	Copper	Silver	24-26	0.20-0.15	.034 [0.85]	.061 [1.55]	.065 [1.65]	.126 [3.20]	1.440 [36.50]
T12-3613-110	16	Copper	Silver	20-26	0.60-0.15	.052 [1.30]	.076 [1.93]	.065 [1.65]	.126 [3.20]	1.440 [36.50]
T12-3612-110	16	Copper	Silver	20	0.60	.048 [1.20]	.102 [2.60]	.065 [1.65]	.126 [3.20]	1.440 [36.50]
T12-3615-110	16	Copper	Silver	18-20	1.0	.060 [1.50]	.102 [2.60]	.065 [1.65]	.126 [3.20]	1.440 [36.50]
T12-3600-110	16	Copper	Silver	16-18	1.5-1.0	.067 [1.70]	.102 [2.60]	.065 [1.65]	.126 [3.20]	1.440 [36.50]
T12-3600-000	16	Alumel	None	16	1.5	.067 [1.70]	.102 [2.60]	.065 [1.65]	.126 [3.20]	1.440 [36.50]
T12-3600-010	16	Chromel	None	16	1.5	.067 [1.70]	.102 [2.60]	.065 [1.65]	.126 [3.20]	1.440 [36.50]
T12-3600-020	16	Constantan	None	16	1.5	.067 [1.70]	.102 [2.60]	.065 [1.65]	.126 [3.20]	1.440 [36.50]
T12-3600-040	16	Iron	Cadmium	16	1.5	.067 [1.70]	.102 [2.60]	.065 [1.65]	.126 [3.20]	1.440 [36.50]
T12-3620-110	16	Copper	Silver	14	2.0	.078 [2.00]	.115 [2.90]	.065 [1.65]	.126 [3.20]	1.440 [36.50]
T12-3626-110	16	Copper	Silver	12	3.0	.099 [2.50]	.150 [3.80]	.065 [1.65]	.126 [3.20]	1.440 [36.50]
T12-4913-110	16S	Copper	Silver	20-26	0.60-0.15	.052 [1.30]	.076 [1.93]	.065 [1.65]	.126 [3.20]	1.050 [26.65]
T12-4912-110	16S	Copper	Silver	20	0.60	.048 [1.20]	.102 [2.60]	.065 [1.65]	.126 [3.20]	1.050 [26.65]
T12-4915-110	16S	Copper	Silver	18	1.0	.060 [1.50]	.102 [2.60]	.065 [1.65]	.126 [3.20]	1.050 [26.65]
T12-4900-110	16S	Copper	Silver	16-18	1.5-1.0	.067 [1.70]	.102 [2.60]	.065 [1.65]	.126 [3.20]	1.050 [26.65]
T12-4900-000	16S	Alumel	None	16	1.5	.067 [1.70]	.102 [2.60]	.065 [1.65]	.126 [3.20]	1.050 [26.65]
T12-4900-010	16S	Chromel	None	16	1.5	.067 [1.70]	.102 [2.60]	.065 [1.65]	.126 [3.20]	1.050 [26.65]
T12-4900-020	16S	Constantan	None	16	1.5	.067 [1.70]	.102 [2.60]	.065 [1.65]	.126 [3.20]	1.050 [26.65]
T12-4900-040	16S	Iron	Cadmium	16	1.5	.067 [1.70]	.102 [2.60]	.065 [1.65]	.126 [3.20]	1.050 [26.65]
T12-4920-110	16S	Copper	Silver	14	2.0	.078 [2.00]	.115 [2.90]	.065 [1.65]	.126 [3.20]	1.050 [26.65]
T12-4926-110	16S	Copper	Silver	12	3.0	.099 [2.50]	.150 [3.80]	.065 [1.65]	.126 [3.20]	1.050 [26.65]
T12-6412-110	12	Copper	Silver	20	0.60	.048 [1.20]	.102 [2.60]	.098 [2.48]	.189 [4.80]	1.480 [37.65]
T12-6415-110	12	Copper	Silver	18	1.0	.060 [1.50]	.134 [3.40]	.098 [2.48]	.189 [4.80]	1.480 [37.65]
T12-6420-110	12	Copper	Silver	14-18	2.0-1.0	.078 [2.00]	.150 [3.80]	.098 [2.48]	.189 [4.80]	1.480 [37.65]
T12-6422-110	12	Copper	Silver	-	2.5	.087 [2.20]	.150 [3.80]	.098 [2.48]	.189 [4.80]	1.480 [37.65]
T12-6400-000	12	Alumel	None	12	3.0	.099 [2.50]	.154 [3.90]	.098 [2.48]	.189 [4.80]	1.480 [37.65]
T12-6400-010	12	Chromel	None	12	3.0	.099 [2.50]	.154 [3.90]	.098 [2.48]	.189 [4.80]	1.480 [37.65]
T12-6400-020	12	Constantan	None	12	3.0	.099 [2.50]	.154 [3.90]	.098 [2.48]	.189 [4.80]	1.480 [37.65]
T12-6400-040	12	Iron	Cadmium	12	3.0	.099 [2.50]	.154 [3.90]	.098 [2.48]	.189 [4.80]	1.480 [37.65]

Dimensions in brackets [] are in millimeters.

continued on next page



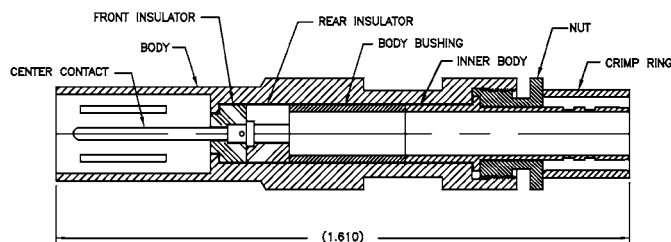
continued from previous page

PART NUMBER	SIZE	MATERIAL	FINISH	FOR WIRE SIZE		A	B	C	D	L
				AWG	MM ²					
T12-6400-110	12	Copper	Silver	12	3.0	.099 [2.50]	.154 [3.90]	.098 [2.48]	.189 [4.80]	1.480 [37.65]
T12-6430-110	12	Copper	Silver	-	4.0	.118 [3.00]	.176 [4.80]	.098 [2.48]	.189 [4.80]	1.480 [37.65]
T12-6431-110	12	Copper	Silver	-	4.0	.130 [3.30]	.166 [4.20]	.098 [2.48]	.189 [4.80]	1.480 [37.65]
T12-6438-110	12	Copper	Silver	10	6.0	.142 [3.60]	.176 [4.80]	.098 [2.48]	.189 [4.80]	1.480 [37.65]
T12-6408-110	12	Copper	Silver	8	9.0	.177 [4.50]	.272 [6.90]	.098 [2.48]	.189 [4.80]	1.480 [37.65]
T12-7915-510	8	Copper	Silver	18	1.0	.060 [1.50]	.134 [3.40]	.147 [3.73]	.307 [7.80]	1.595 [40.50]
T12-7918-510	8	Copper	Silver	14-18	2.0-1.0	.071 [1.80]	.150 [3.80]	.147 [3.73]	.307 [7.80]	1.595 [40.50]
T12-7926-510	8	Copper	Silver	12	3.0	.099 [2.50]	.154 [3.90]	.147 [3.73]	.307 [7.80]	1.595 [40.50]
T12-7930-510	8	Copper	Silver	-	4.0	.118 [3.00]	.176 [4.80]	.147 [3.73]	.307 [7.80]	1.595 [40.50]
T12-7900-510	8	Copper	Silver	8	9.0	.177 [4.50]	.272 [6.90]	.147 [3.73]	.307 [7.80]	1.595 [40.50]
T12-7950-510	8	Copper	Silver	-	10.0	.201 [5.00]	.272 [6.90]	.147 [3.73]	.307 [7.80]	1.595 [40.50]
T12-7958-510	8	Copper	Silver	6	13.2	.229 [5.80]	.307 [7.80]	.147 [3.73]	.307 [7.80]	1.595 [40.50]
T12-8522-510	4	Copper	Silver	-	2.5	.087 [2.20]	.150 [3.80]	.230 [5.84]	.433 [11.00]	1.625 [41.25]
T12-8526-510	4	Copper	Silver	12	3.0	.099 [2.50]	.150 [3.80]	.230 [5.84]	.433 [11.00]	1.625 [41.25]
T12-8530-510	4	Copper	Silver	-	4.0	.118 [3.00]	.189 [4.80]	.230 [5.84]	.433 [11.00]	1.625 [41.25]
T12-8550-510	4	Copper	Silver	-	10.0	.201 [5.00]	.275 [7.00]	.230 [5.84]	.433 [11.00]	1.625 [41.25]
T12-8562-510	4	Copper	Silver	-	16.0	.244 [6.20]	.374 [9.50]	.230 [5.84]	.433 [11.00]	1.625 [41.25]
T12-8500-510	4	Copper	Silver	4	22.0	.281 [7.15]	.375 [9.50]	.230 [5.84]	.433 [11.00]	1.625 [41.25]
T12-8525-510	4	Copper	Silver	-	25.0	.307 [7.80]	.374 [9.50]	.230 [5.84]	.433 [11.00]	1.625 [41.25]
T12-8535-510	4	Copper	Silver	-	35.0	.354 [9.00]	.565 [14.35]	.230 [5.84]	.433 [11.00]	1.625 [41.25]
T12-9245-510	1/0	Copper	Silver	8	9.0	.177 [4.55]	.268 [6.80]	.365 [9.20]	.595 [15.11]	1.830 [46.50]
T12-9250-510	1/0	Copper	Silver	-	10.0	.201 [5.00]	.275 [7.00]	.365 [9.20]	.595 [15.11]	1.830 [46.50]
T12-9246-510	1/0	Copper	Silver	4	22.0	.281 [7.15]	.375 [9.53]	.365 [9.20]	.595 [15.11]	1.830 [46.50]
T12-9225-510	1/0	Copper	Silver	-	25.0	.307 [7.80]	.374 [9.50]	.365 [9.20]	.595 [15.11]	1.830 [46.50]
T12-9235-510	1/0	Copper	Silver	-	35.0	.354 [9.00]	.565 [14.35]	.365 [9.20]	.595 [15.11]	1.830 [46.50]
T12-9275-510	1/0	Copper	Silver	-	50.0	.421 [10.70]	.565 [14.35]	.365 [9.20]	.595 [15.11]	1.830 [46.50]
T12-9200-510	1/0	Copper	Silver	1/0	53.0	.453 [11.50]	.565 [14.35]	.365 [9.20]	.595 [15.11]	1.830 [46.50]
T12-9790-510	4/0	Copper	Silver	2	33.5	.354 [9.00]	.565 [14.35]	.506 [12.85]	.787 [20.00]	2.290 [58.20]
T12-97115-510	4/0	Copper	Silver	1/0	53.0	.453 [11.50]	.565 [14.35]	.506 [12.85]	.787 [20.00]	2.290 [58.30]
T12-97135-510	4/0	Copper	Silver	2/0	67.4	.532 [13.50]	.650 [16.50]	.506 [12.85]	.787 [20.00]	2.280 [58.00]
T12-9700-510	4/0	Copper	Silver	4/0	107.0	.650 [16.50]	.787 [20.00]	.506 [12.85]	.787 [20.00]	2.490 [63.00]

Dimensions in brackets [] are in millimeters.

4L

SIZE 8 COAXIAL CONTACT



TYPICAL SOCKET COSTRUCTION
D12-4XXX-853

CABLE RG	SOCKET	CRIMP TOOL DIE*	DIE CLOSURE
RG-58	D12-4000-853	M22520/5-41	B
RG-141	D12-4020-853	M22520/5-41	B
RG-59	D12-4100-853	M22520/5-19	A
RG-62A; 62B	D12-4110-853	M22520/5-45	B
RG-174	D12-4200-853	M22520/5-35	B
RG-179B; 316	D12-4210-853	M22520/5-35	B
RG-180B	D12-4300-853	M22520/5-19	B

* USE CRIMP TOOL M22520/5-01

TOOLING

INSERTION AND REMOVAL TOOLS

FOR **F80** CRIMP CONTACTS DOES NOT APPLY TO MS SERIES

INSERTION, REMOVAL AND CRIMP TOOLS FOR F80 CRIMP CONTACTS ON NEXT PAGE

ALTERNATE INSERTION TOOLS

CONTACT SIZE	SPACECRAFT	ASTRO TOOL	BENDIX	ITT CANNON	COMMITAL	DANIELS	VEAM
18	T117346	–	–	–	M.117346	–	T98143
16	T117345	ATBX1-7345	11-7345	CIT-F80-16	M.117345	DAK168-16	11-7345
12	T117082	ATBX1-7082	11-7082	CIT-F80-12	M.117082	DAK168-12	46736
8	T117344	ATBX 1-8220	11-8220	CIT-8	M117344	DAK159	A46151-8T50
4	T117347	ATC1377	11-7365-4*	CIT-4	M.117347	–	A46151-4T50
1/0	T117348	–	11-7365-5*	CIT-0	M.117348	–	A46151-0T50

* Requires 11-7364 Arbor Press.

ALTERNATE REMOVAL TOOLS

CONTACT SIZE	SPACECRAFT	ASTRO TOOL	BENDIX	ITT CANNON	COMMITAL	DANIELS	VEAM
18	T118249	–	–	–	M.118249	–	11-7576-37
16	T118250	ATBX2-8250	11 -8250(Kit)	CET-F80-16	M.118250	DRK59	A43240
12	T118250	ATBX2-8250	11 -8250(Kit)	CET-F80-12	M.118250	DRK59	A43240
8	T117260	ATBX2-8250	11 -8250(Kit)	CET-8	M.118260	DRK59	A43240-8
4	T118270	ATC2234	P=11-7370-4* S=11-7674-2*	CET-4	M.118270	–	46150-4
1/0	T118280	–	P=11-7370-5* S=11-7674-3*	CET-0	M.118280	–	46150-0

* Requires 11-7364 Arbor Press.

ALTERNATE GUIDE PINS

CONTACT SIZE	SPACECRAFT	BENDIX	ITT CANNON	COMMITAL	VEAM
18	T125000	–	–	M.125000	27977-20T50
16	T125001	Unknown	226-1017-000	M.125001	27977-16T50
12	T125002	Unknown	226-1018-000	M.125002	27977-16T50
8	T125003	Unknown	Not Required	M.125003	Not Required
4	Not Required	Not Required	Not Required	Not Required	Not Required
1/0	Not Required	Not Required	Not Required	Not Required	Not Required



INSERTION, REMOVAL AND CRIMP TOOLS

DOES NOT APPLY TO MS SERIES FOR **F80** CRIMP CONTACTS

MIL-DTL-22992

CONTACT		WIRE SIZE (AWG)	INSERTION TOOL	REMOVAL TOOL KIT	GUIDE PINS	MANUAL CRIMP TOOL FRAME		PICO TOOLS MODEL 300		PICO TOOLS MODEL 400-BHD		PICO TOOLS MODEL 500-D	
						MS3191A	M22520/1-01	DIE PART NO. (Note 2)	LOCATOR PART NO.	DIE PART NO. (Note 2)	LOCATOR PART NO.	DIE PART NO. (Note 2)	LOCATOR PART NO.
						LOCATOR	LOCATOR						
P/N	SIZE												
R12-2500-*	18 Pin	20-26	T117346	T118249	-	-	-	-	-	414DA-20N	9632	514DA-20N	10627
T12-2500-*	18 Skt	20-26	T117346	T118249	T125000	-	-	-	-	414DA-20N	9641	514DA-20N	10640
R12-3600-*	16 Pin	16-18	T117345	T118250	-	600091†	TH378*	314DA-16	C17P	414DA-16N	9633	514DA-16N	10628
T12-3600-*	16 Skt	16-18	T117345	T118250	T125001	600092M†	TH378*	314DA-16	C17S	414DA-16N	9642	514DA-16N	10641
R12-3608-*	16 Pin	24-26	T117346	T118250	-	-	-	-	-	414DA-22N	9633	-	-
T12-3608-*	16 Skt	24-26	T117346	T118250	T125001	-	-	-	-	414DA-22N	9642	-	-
R12-3612-*	16 Pin	20	T117345	T118250	-	-	-	-	-	414DA-16N	9633	514DA-16N	10628
T12-3612-*	16 Skt	20	T117345	T118250	T125001	-	-	-	-	414DA-16N	9642	514DA-16N	10641
R12-3613-*	16 Pin	20-26	T117346	T118250	-	-	TH378*	314DA-20	C17P	414DA-16N	9633	514DA-16N	10628
T12-3613-*	16 Skt	20-26	T117346	T118250	T125001	-	TH378*	314DA-20	C17S	414DA-16N	9642	514DA-16N	10641
R12-3615-*	16 Pin	18	T117345	T118250	-	-	TH378*	314DA-20	C17P	414DA-16N	9633	514DA-16N	10628
T12-3615-*	16 Skt	18	T117345	T118250	T125001	-	TH378*	314DA-20	C17S	414DA-16N	9642	514DA-16N	10641
R12-3620-*	16 Pin	14	T117345	T118250	-	-	TH378*	314DA-16	C17P	414DA-16N	9633	514DA-16N	10628
T12-3620-*	16 Skt	14	T117345	T118250	T125001	-	TH378*	314DA-16	C17S	414DA-16N	9642	514DA-16N	10641
R12-3626-*	16 Pin	12	T117082	T118250	-	-	TH378*	314DA-12	C17P	414DA-12N	9633	514DA-12N	10628
T12-3626-*	16 Skt	12	T117082	T118250	T125001	-	TH378*	314DA-12	C17S	414DA-12N	9642	514DA-12N	10641
R12-3632-*	16 Pin	28-32	T117345	T118250	-	-	-	-	-	414DA-16N048	9633	514DA-16N048	10628
T12-3632-*	16 Skt	28-32	T117345	T118250	T125001	-	-	-	-	414DA-16N048	9642	514DA-16N048	10641
R12-4900-*	16S Pin	16-18	T117345	T118250	-	600093†	TH379*	314DA-16	C16P	414DA-16N	9634	514DA-16N	10629
T12-4900-*	16S Skt	16-18	T117345	T118250	T125001	600245†	TH379*	314DA-16	C16S	414DA-16N	9634	514DA-16N	10629
R12-4912-*	16S Pin	20	T117345	T118250	-	-	TH379*	314DA-20	C16P	414DA-16N	9634	514DA-16N	10629
T12-4912-*	16S Skt	20	T117345	T118250	T125001	-	TH379*	314DA-20	C16S	414DA-16N	9634	514DA-16N	10629
R12-4913-*	16S Pin	20-26	T117346	T118250	-	-	-	-	-	414DA-20N	9634	514DA-20N	10629
T12-4913-*	16S Skt	20-26	T117346	T118250	T125001	-	-	-	-	414DA-20N	9634	514DA-20N	10629
R12-4915-*	16S Pin	18	T117345	T118250	-	-	-	-	-	414DA-16N	9634	514DA-16N	10629
T12-4915-*	16S Skt	18	T117345	T118250	T125001	-	-	-	-	414DA-16N	9634	514DA-16N	10629
R12-4920-*	16S Pin	14	T117345	T118250	-	-	TH379*	314DA-16	C16P	414DA-16N	9634	514DA-16N	10629
T12-4920-*	16S Skt	14	T117345	T118250	T125001	-	TH379*	314DA-16	C16S	414DA-16N	9634	514DA-16N	10629
R12-4926-*	16S Pin	12	T117082	T118250	-	-	-	-	-	414DA-18N	9634	514DA-18N	10629
T12-4926-*	16S Skt	12	T117082	T118250	T125001	-	-	-	-	414DA-18N	9634	514DA-18N	10629
R12-6400-*	12 Pin	12	T117082	T118250	-	600216†	TH378*	-	-	414DA-12N	9635	514DA-12N	10630
T12-6400-*	12 Skt	12	T117082	T118250	T125002	600216†	TH378*	-	-	414DA-12N	9635	514DA-12N	10630
R12-6408-*	12 Pin	8	T117082	T118250	-	-	-	-	-	414DA-6N155	9635	514DA-6N155	10630
T12-6408-*	12 Skt	8	T117082	T118250	T125002	-	-	-	-	414DA-6N155	9635	514DA-6N155	10630
R12-6412-*	12 Pin	20	T117345	T118250	-	-	-	-	-	414DA-16N	9635	514DA-16N	10630
T12-6412-*	12 Skt	20	T117345	T118250	T125002	-	-	-	-	414DA-16N	9635	514DA-16N	10630
R12-6415-*	12 Pin	18	T117082	T118250	-	600216†	TH378*	-	-	414DA-16N	9635	514DA-16N	10630
T12-6415-*	12 Skt	18	T117082	T118250	T125002	600216†	TH378*	-	-	414DA-16N	9635	514DA-16N	10630
R12-6420-*	12 Pin	14-18	T117082	T118250	-	-	-	-	-	414DA-10N096	9635	514DA-10N096	10630
T12-6420-*	12 Skt	14-18	T117082	T118250	T125002	-	-	-	-	414DA-10N096	9635	514DA-10N096	10630
R12-6422-*	12 Pin	2.5mm ²	T117082	T118250	-	620216†	-	-	-	414DA-8N142	9635	514DA-8N142	10630
T12-6422-*	12 Skt	2.5mm ²	T117082	T118250	T125002	620216†	-	-	-	414DA-8N142	9635	514DA-8N142	10630
R12-6430-*	12 Pin	4.0mm ²	T117082	T118250	-	7100659†	-	-	-	414DA-10N096	9635	514DA-10N096	10630
T12-6430-*	12 Skt	4.0mm ²	T117082	T118250	T125002	7100659†	-	-	-	414DA-10N	9635	514DA-10N	10630
R12-6431-*	12 Pin	4.0mm ²	T117082	M118250	-	-	-	-	-	414DA-10N	9635	514DA-10N	10630
T12-6431-*	12 Skt	4.0mm ²	T117082	M118250	T125002	-	-	-	-	414DA-18N	9635	514DA-18N	10630
R12-6438-*	12 Pin	6.0mm ²	T117082	M118250	-	-	-	-	-	414DA-10N	9635	514DA-10N	10630
T12-6438-*	12 Skt	6.0mm ²	T117082	M118250	T125002	-	-	-	-	414DA-10N	9635	514DA-10N	10630
R12-7900-*	8 Pin	8	T117344	T118260	-	-	-	-	-	414DA-6N155	9636	514DA-6N155	10631
T12-7900-*	8 Skt	8	T117344	T118260	-	-	-	-	-	414DA-6N155	9636	514DA-6N155	10631
R12-7915-*	8 Pin	18	T117082	T118260	-	-	-	-	-	414DA-12N077	9636	514DA-12N077	10631
T12-7915-*	8 Skt	18	T117082	T118260	Not Required	-	-	-	-	414DA-12N077	9636	514DA-12N077	10631
R12-7918-*	8 Pin	14-18	T117082	T118260	-	-	-	-	-	414DA-18N	9636	514DA-18N	10631
T12-7918-*	8 Skt	14-18	T117082	T118260	Not Required	-	-	-	-	414DA-18N	9636	514DA-18N	10631

Note 1. Consult sales department.

Note 2. Pico Tools Die part numbers ending in letter N are for an 8 indent crimp. For Hex crimp, change letter N to HEX.

* Indicates additional alpha-numeric are required to complete part number.

† Locators provided by Astro Tool.

TOOLING

INSERTION, REMOVAL AND CRIMP TOOLS FOR F80 CRIMP CONTACTS DOES NOT APPLY TO MS SERIES MIL-DTL-22992

CONTACT		WIRE SIZE (AWG)	INSERTION TOOL	REMOVAL TOOL KIT	GUIDE PINS	MANUAL CRIMP TOOL FRAME		PICO TOOLS MODEL 300		PICO TOOLS MODEL 400-BHD		PICO TOOLS MODEL 500-D		
						MS3191A	M22520/1-01	DIE PART NO. (Note 2)	LOCATOR PART NO.	DIE PART NO. (Note 2)	LOCATOR PART NO.	DIE PART NO. (Note 2)	LOCATOR PART NO.	
						LOCATOR	LOCATOR							
P/N	SIZE													
R12-7926-*	8 Pin	12	T117082	T118260	Not Required	-	-	-	-	414DA-18N	9636	514DA-18N	10631	
T12-7926-*	8 Skt	12	T117082	T118260		-	-	-	-	414DA-18N	9636	514DA-18N	10631	
R12-7930-*	8 Pin	4.0mm ²	T117082	T118260		-	-	-	-	414DA-10N096	9636	514DA-10N096	10631	
T12-7930-*	8 Skt	4.0mm ²	T117082	T118260		-	-	-	-	414DA-10N096	9636	514DA-10N096	10631	
R12-7950-*	8 Pin	10.0mm ²	T117344	T118260		-	-	-	-	414DA-8N142	9636	514DA-8N142	10631	
T12-7950-*	8 Skt	10.0mm ²	T117344	T118260		-	-	-	-	414DA-8N142	9636	514DA-8N142	10631	
R12-7958-*	8 Pin	6	Note 1	T118260		-	-	-	-	414DA-6N170	9636	514DA-6N170	10631	
T12-7958-*	8 Skt	6	Note 1	T118260		-	-	-	-	414DA-6N170	9636	514DA-6N170	10631	
R12-8500-*	4 Pin	4	T117347	T118270	Not Required	-	-	-	-	414DA-4N215	9637	514DA-4N215	10632	
T12-8500-*	4 Skt	4	T117347	T118270		-	-	-	-	414DA-4N215	9637	514DA-4N215	10632	
R12-8522-*	4 Pin	2.5mm ²	T117082	T118270		-	-	-	-	414DA-18N	9637	514DA-18N	10632	
T12-8522-*	4 Skt	2.5mm ²	T117082	T118270		-	-	-	-	414DA-18N	9637	514DA-18N	10632	
R12-8525-*	4 Pin	25.0mm ²	T117347	T118270		-	-	-	-	414DA-4N	9637	514DA-4N	10632	
T12-8525-*	4 Skt	25.0mm ²	T117347	T118270		-	-	-	-	414DA-4N	9637	514DA-4N	10632	
R12-8526-*	4 Pin	12	T117082	T118270		-	-	-	-	414DA-10N	9637	514DA-10N	10632	
T12-8526-*	4 Skt	12	T117082	T118270		-	-	-	-	414DA-10N	9637	514DA-10N	10632	
R12-8530-*	4 Pin	4.0mm ²	T117082	T118270		-	-	-	-	414DA-10N105	9637	514DA-10N105	10632	
T12-8530-*	4 Skt	4.0mm ²	T117082	T118270		-	-	-	-	414DA-10N105	9637	514DA-10N105	10632	
R12-8535-*	4 Pin	35.0mm ²	T117348	T118270		-	-	-	-	414DA-0N315	9637	514DA-0N315	10632	
T12-8535-*	4 Skt	35.0mm ²	T117348	T118270		-	-	-	-	414DA-0N315	9637	514DA-0N315	10632	
R12-8550-*	4 Pin	10.0mm ²	T117344	T118270		-	-	-	-	414DA-8N142	9637	514DA-8N142	10632	
T12-8550-*	4 Skt	10.0mm ²	T117344	T118270		-	-	-	-	414DA-8N142	9637	514DA-8N142	10632	
R12-8562-*	4 Pin	16.0mm ²	T117347	T118270		-	-	-	-	414DA-4N	9637	514DA-4N	10632	
T12-8562-*	4 Skt	16.0mm ²	T117347	T118270		-	-	-	-	414DA-4N	9637	514DA-4N	10632	
R12-9200-*	1/0 Pin	1/0	T117348	T118280	Not Required	-	-	-	-	414DA-0N	9638	514DA-0N	10633	
T12-9200-*	1/0 Skt	1/0	T117348	T118280		-	-	-	-	414DA-0N	9638	514DA-0N	10633	
R12-9225-*	1/0 Pin	25.0mm ²	T117347	T118280		-	-	-	-	414DA-4N	9638	514DA-4N	10633	
T12-9225-*	1/0 Skt	25.0mm ²	T117347	T118280		-	-	-	-	414DA-4N	9638	514DA-4N	10633	
R12-9235-*	1/0 Pin	35.0mm ²	T117348	T118280		-	-	-	-	414DA-0N	9638	514DA-0N	10633	
T12-9235-*	1/0 Skt	35.0mm ²	T117348	T118280		-	-	-	-	414DA-0N	9638	514DA-0N	10633	
R12-9245-*	1/0 Pin	8	T117344	T118280		-	-	-	-	414DA-6N155	9638	514DA-6N155	10633	
T12-9245-*	1/0 Skt	8	T117344	T118280		-	-	-	-	414DA-6N155	9638	514DA-6N155	10633	
R12-9246-*	1/0 Pin	4	Note 1	T118280		-	-	-	-	414DA-4N	9638	514DA-4N	10633	
T12-9246-*	1/0 Skt	4	Note 1	T118280		-	-	-	-	414DA-4N	9638	514DA-4N	10633	
R12-9250-*	1/0 Pin	10.0mm ²	T117344	T118280		-	-	-	-	414DA-4N	9638	514DA-4N	10633	
T12-9250-*	1/0 Skt	10.0mm ²	T117344	T118280		-	-	-	-	414DA-4N	9638	514DA-4N	10633	
R12-9275-*	1/0 Pin	50.0mm ²	T117348	T118280		-	-	-	-	414DA-0N	9638	514DA-0N	10633	
T12-9275-*	1/0 Skt	50.0mm ²	T117348	T118280		-	-	-	-	414DA-0N	9638	514DA-0N	10633	
R12-9700-*	4/0 Pin	4/0	Note 1	Note 1		Not Required	-	-	-	-	-	-	514DA-N470	10636
T12-9700-*	4/0 Skt	4/0	Note 1	Note 1			-	-	-	-	-	-	-	514DA-N470
R12-9790-*	4/0 Pin	2	Note 1	Note 1	-		-	-	-	414DA-0N	9639	514DA-0N	10634	
T12-9790-*	4/0 Skt	2	Note 1	Note 1	-		-	-	-	414DA-0N	9640	514DA-0N	10637	
R12-97115-*	4/0 Pin	1/0	Note 1	Note 1	-		-	-	-	414DA-0N	9639	514DA-0N	10634	
T12-97115-*	4/0 Skt	1/0	Note 1	Note 1	-		-	-	-	414DA-0N	9640	514DA-0N	10637	
R12-97135-*	4/0 Pin	2/0	Note 1	Note 1	-		-	-	-	-	-	-	514DA-N345	10635
T12-97135-*	4/0 Skt	2/0	Note 1	Note 1	-		-	-	-	-	-	-	514DA-N345	10638

Note 1. Consult sales department.

Note 2. Pico Tools Die part numbers ending in letter N are for an 8 indent crimp. For Hex crimp, change letter N to HEX.

* Indicates additional alpha-numeric are required to complete part number.

† Locators provided by Astro Tool.



A thermocouple is essentially a pair of wires of dissimilar metals connected at both ends. When the two junctions are subjected to different temperatures, an electrical potential is set up between them, almost directly proportional to the temperature difference. A voltage measuring instrument in the circuit can thus measure temperature. Because thermocouple junctions can withstand higher temperatures than the connectors used in conjunction with them, care must be taken to isolate the connectors. While contacts can withstand temperatures shown in the following table, standard insert materials can withstand only 257°F continuous operation. However, special dielectrics and shell finishes can extend the usable connector range above 500°F.

THERMOCOUPLE LIMITS		
COMBINATION	CONDITIONS	TEMPERATURE RANGE
Copper-Constantan (Note 1)	Material has good resistance to corrosion with long life and stable calibration.	Thermocouple Junction: Below 500°F Connector Contacts: 400°F
Iron-Constantan (Note 1)	Material can be used in either oxidizing or reducing atmospheres. It is not recommended for low temperatures and in the presence of moisture due to the rusting of the iron.	Thermocouple Junction: 500°F to 1200°F Connector Contacts: *600°F
Chromel-Alumel (Note 1)	Material is good for high temperature work and is more stable than iron and constantan combinations.	Thermocouple Junction: High Temperature Connector Contacts: *400°F

* These contacts can withstand higher temperatures but have not been tested because the general line of connectors will not withstand such temperatures in continuous operation.

(Note 1) - These are registered Trade names of the Hoskins Corporation.

THERMOCOUPLE MATERIALS

CONTACT DESIGNATION	MATERIAL	ASTM-E230 SPECIFICATIONS	Polarity	MAGNETISM
Alumel (Al) (Note 1)	94% Nickel; 2.5% Manganese; 2% Aluminum; 1% Silicone; ½% Iron	Type KN	Negative	Magnetic
Constantan (Co) (Note 1)	45% to 60% Copper; 40% to 55% Nickel; 0 to 1.4% Manganese; 0.1% Iron	Type JN	Negative	Non-Magnetic
Copper (Cu) (Note 1)	87.5 to 90% Copper; 1.8 to 2.2% Lead; .1% Iron; 5% Nickel; .5% normal impurities and balance zinc	Type T	Positive	Non-Magnetic
Iron (Ir) (Note 1)	84.4% Iron; 2% Carbon; 3% manganese; 6% Phosphorus; 2% Sulphur; 4% Silicone; 8.1% Copper; 9% Tin (Cadmium plated for corrosion resistance)	Type JP	Positive	Magnetic
Chromel P (Ch) (Note 1)	90% Nickel; 10% Chromium	Type KP	Positive	Non-Magnetic

(Note 1) - These are registered Trade names of the Hoskins Corporation.

CONTACT COLOR CODING

CONTACT MATERIAL	COLOR
Alumel	Green
Chromel	White
Copper	—
Constantan	Yellow
Iron	Black

For solder thermocouple contacts, see page 9A-3 in Catalog 102.

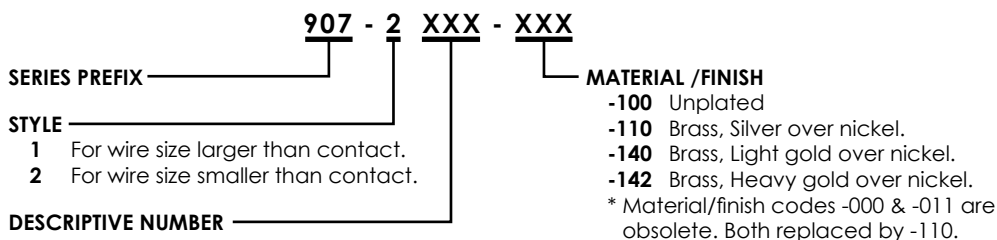
For crimp thermocouple contacts, see pages 9A-4 thru 9A-7 in Catalog 102.

CRIMP CONTACT ADAPTER

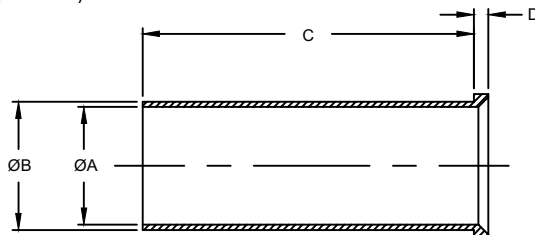
FOR WIRE SIZE SMALLER/LARGER THAN CONTACT

907-2*** SERIES

ORDERING INFORMATION



Material: Copper Alloy.



PART NUMBER	MIL - SPEC		CRIMP BARREL WIRE SIZE	WIRE SIZE AWG	WIRE SIZE SQ MM	A +.0020 -.0035	B +.0025 -.0030	C ±.015	D ±.005
	MS3348	AS39029 /112							
907-2005-XXX	-	-	20	26	0.14	.023	.042	.120	.015
907-2011-XXX	-	-	20	26	0.14	.023	.042	.120	.015
907-2010-XXX	-	-	20	24-30	0.25-0.05	.027	.042	.120	.015
907-2012-XXX	-	-	16	-	0.12	.033	.063	.230	.015
907-2013-XXX	-	-	16	26	0.14	.033	.063	.230	.015
907-2016-XXX	-	-	16	24	0.25	.035	.063	.230	.015
907-2020-XXX	-	-	16	22-24	0.34	.035	.063	.230	.015
907-2021-XXX	-	-	16	22	0.34	.043	.063	.230	.015
907-2022-XXX	-	-	16	22	0.34	.035	.063	.190	.015
907-2025-XXX	-	-	16	22	0.34	.043	.059	.149	.015
907-2030-XXX	-	-	16	20	0.50	.046	.063	.230	.015
907-2037-XXX	-	-	14	22	0.34	.043	.070	.230	.015
907-2038-XXX	-	-	12	20	0.50	.046	.094	.221	.015
907-2039-XXX	-	-	12	18	0.75	.065	.094	.221	.015
907-2040-XXX	-	-	12	16	1.50	.069	.094	.230	.015
907-2041-XXX	-	-	12	18	0.75	.054	.094	.221	.015
907-2043-XXX	-	-	6.0 MM	-	1.50	.068	.140	.230	.015
907-2045-XXX	-	-	6.0 MM	-	2.50	.086	.140	.230	.015
907-2049-XXX	-	-	8	18	0.75	.065	.173	.380	.031
907-2050-XXX	-	-	8	16	1.50	.069	.173	.380	.031
907-2051-XXX	-	-	8	16	1.50	.072	.173	.422	.031
907-2053-XXX	-	-	8	14	2.50	.086	.173	.422	.031
907-2055-XXX	-	-	8	14	2.50	.086	.173	.422	.031
907-2056-XXX	-	-	8	12	3.00	.111	.173	.380	.031
907-2060-XXX	-	-	8	12	3.00	.111	.173	.380	.031
907-2061-XXX	-	-	8	12	3.00	.111	.173	.380	.031
907-2062-XXX	-	-	8	12	3.00	.111	.178	.380	.031
907-2068-XXX	-	-	8	10	6.00	.126	.175	.380	.031
907-2070-XXX	-8-10	-	8	10	6.00	.136	.173	.380	.031
907-2071-XXX	-	-8-10	8	10	6.00	.144	.173	.380	.031
907-2072-XXX	-	-	8	10	6.00	.136	.173	.422	.031
907-2073-XXX	-	-	8SP	12	3.00	.100	.130	.422	.031
907-2077-XXX	-	-	10 MM	12	3.00	.100	.173	.422	.031
907-2080-XXX	-6-10L	-6-10L	6	10	6.00	.136	.225	.700	.031
907-2090-XXX	-6-9L	-6-9L	6	9	-	.155	.225	.700	.031
907-2100-XXX	-6-8L	-6-8L	6	8	10.00	.185	.225	.700	.031
907-2102-XXX	-	-	16 MM	-	2.50	.086	.240	.480	.031
907-2103-XXX	-	-	16 MM	-	4.00	.111	.240	.480	.031
907-2105-XXX	-	-	16 MM	10	6.00	.144	.240	.480	.031
907-2107-XXX	-	-	16 MM	8	10.00	.185	.240	.480	.031
907-2108-XXX	-	-	4	10	6.00	.136	.272	.373	.031
907-2109-XXX	-	-	4	10	6.00	.144	.272	.380	.031
907-2110-XXX	-	-	4	8	10.00	.185	.272	.380	.031



CRIMP CONTACT ADAPTER

FOR WIRE SIZE SMALLER/LARGER THAN CONTACT

907-2*** SERIES

PART NUMBER	MIL - SPEC		CRIMP BARREL WIRE SIZE	WIRE SIZE AWG	WIRE SIZE SQ MM	A +.0020 -.0035	B +.0025 -.0030	C ±.015	D ±.005
	MS3348	AS39029 /112							
907-2111-XXX	-4-8L	-4-8L	4	8	10.0	.185	.272	.700	.031
907-2112-XXX	-	-	4	8	10.0	.197	.272	.380	.031
907-2113-XXX	-	-	4	5	15.0	.197	.272	.380	.031
907-2114-XXX	-	-	4	8	10.0	.197	.272	.380	.031
907-2117-XXX	-	-	4	6	16.0	.225	.272	.422	.031
907-2118-XXX	-	-	4	12	4.0	.101	.272	.240	.031
907-2119-XXX	-4-6L	-4-6L	4	6	2.5	.235	.272	.700	.031
907-2120-XXX	-4-6	-4-6	4	6	16.0	.225	.272	.380	.031
907-2130-XXX	-	-	4	6	16.0	.225	.272	.700	.031
907-2140-XXX	-4-5L	-4-5L	4	5	15.0	.250	.272	.700	.031
907-2150-XXX	-	-	4	5	15.0	.242	.272	.380	.031
907-2152-XXX	-	-	4	5	15.0	.240	.272	.440	.031
907-2153-XXX	-	-	4	6	16.0	.244	.272	.440	.031
907-2154-XXX	-	-	4	313 MCM	-	.730	.823	-	-
907-2155-XXX	-	-	25 MM	10	6.0	.144	.300	.480	.031
907-2156-XXX	-	-	25 MM	6	16.0	.244	.300	.480	.031
907-2158-XXX	-	-	2	4	25.0	.281	.347	.480	.031
907-2159-XXX	-	-	35 MM	25 MM	-	.305	.347	.480	.031
907-2160-XXX	-1-6L	-1-6L	1	6	16.0	.225	.396	.700	.031
907-2165-XXX	-	-	1	6	16.0	.250	.396	.700	.031
907-2168-XXX	-	-	1	4	-	.299	.396	.700	.031
907-2170-XXX	-1-2L	-1-2L	1	2	35.0	.359	.396	.700	.031
907-2171-XXX	-	-	50 MM	4	25.0	.300	.415	.600	.031
907-2172-XXX	-	-	1/0	10	6.0	.136	.444	.644	.031
907-2173-XXX	-	-	1/0	8	9.0	.185	.444	.644	.031
907-2174-XXX	-	-	1/0	8	10.0	.197	.444	.644	.031
907-2175-XXX	-	-	1/0	6	16.0	.225	.444	.644	.031
907-2176-XXX	-	-	1/0	6	16.0	.244	.444	.536	.031
907-2178-XXX	-	-	1/0	-	20.0	.195	.444	.536	.031
907-2179-XXX	-	-	1/0	4	25.0	.307	.444	.536	.031
907-2180-XXX	-	-	1/0	4	25.0	.299	.444	.536	.031
907-2181-XXX	-	-	1/0	8	10.0	.197	.444	.500	.031
907-2182-XXX	-	-	1/0	2	35.0	.244	.444	.500	.031
907-2183-XXX	-	-	1/0	4	25.0	.307	.444	.500	.031
907-2184-XXX	-	-	1/0	2	35.0	.354	.444	.500	.031
907-2185-XXX	-	-	1/0	-	50.0	.421	.444	.500	.031
907-2186-XXX	-	-	1/0	2	35.0	.359	.444	.664	.031
907-2187-XXX	-	-	1/0	4	25.0	.282	.444	.664	.031
907-2188-XXX	-	-	1/0	4	25.0	.282	.444	.536	.031
907-2190-XXX	-0-2	-	1/0	2	35.0	.359	.444	.536	.031
907-2210-XXX	-	-	1/0	2	35.0	.417	.444	.536	.031
907-2200-XXX	-	-	1/0	1	50.0	.390	.444	.536	.031
907-2201-XXX	-	-	50 MM	2	35.0	.354	.410	.500	.031
907-2202-XXX	-	-	1/0	-	50.0	.421	.444	.536	.031
907-2203-XXX	-	-	2/0	2	35.0	.359	.491	.528	.031
907-2204-XXX	-	-	2/0	4	25.0	.307	.491	.528	.031
907-2205-XXX	-	-	2/0	2/0	70.0	.440	.491	.528	.031
907-2206-XXX	-	-	2/0	-	50.0	.421	.491	.528	.031
907-2210-XXX	-	-	70 MM	4	25.0	.307	.491	.500	.031
907-2211-XXX	-	-	70 MM	-	50.0	.421	.491	.500	.031
907-2207-XXX	-	-	95 MM	2/0	70.0	-	-	-	-
907-2218-XXX	-	-	4/0	2/0	70.0	.500	.615	.700	.031
907-2219-XXX	-	-	4/0	2	35.0	.560	.629	.700	.031
907-2220-XXX	-4/0-2/0L	-4/0-2/0L	4/0	2/0	70.0	.500	.629	.700	.031
907-2221-XXX	-	-	4/0	3/0	95.0	.564	.629	.700	.031
907-2230-XXX	-	-	150 MM	2/0	70.0	.500	.629	.700	.031
907-2240-XXX	-	-	190 MM	4/0	107.0	.641	-	-	-
907-2250-XXX	-	-	DIN500	6	16.0	.244	-	-	-
907-2253-XXX	-	-	DIN500	2	35.0	.354	-	-	-

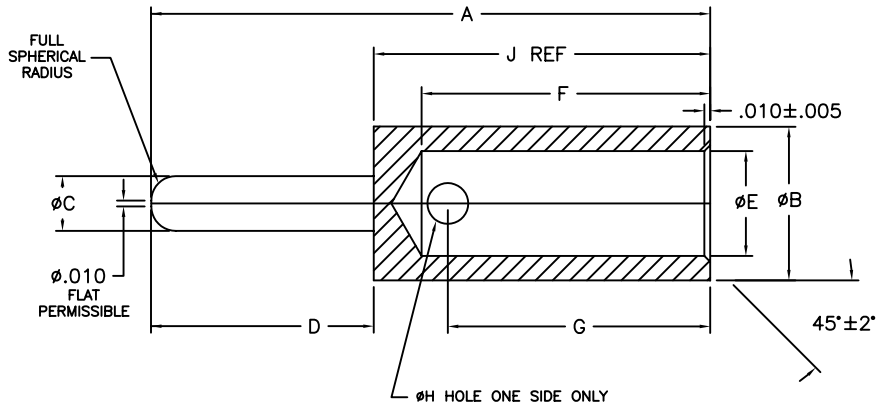
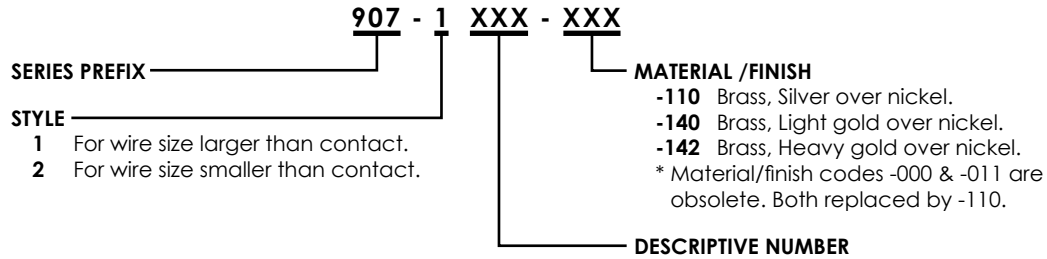
4L

CRIMP CONTACT ADAPTER

FOR WIRE SIZE LARGER THAN CONTACT

907-1*** SERIES

ORDERING INFORMATION



PART NUMBER	CRIMP CONTACT WIRE BARREL SIZE AWG	WIRE SIZE AWG	A ±.010	B ±.002	C ±.002	D ±.005	E ±.002	F ±.010	G ±.005	H ±.002	J REF
907-1010-***	12	8-10	.807	.264	.094	.230	.181	.495	.450	.070	.577
907-1020-***	16	12-14	.549	.149	.062	.230	.100	.260	.220	.039	.319
907-1021-***	16	12-14	.617	.156	.062	.200	.100	.200	.160	.039	.400
907-1030-***	20	12-14	.509	.149	.038	.190	.100	.260	.220	.039	.319
907-1040-***	20	16-18	.499	.102	.038	.190	.067	.260	.220	.039	.309
907-1050-***	22	20-22	.363	.069	.029	.120	.047	.199	.190	.029	.243
907-1060-***	22	16-18	.429	.102	.029	.120	.067	.260	.220	.039	.309



SECTION 5L

MIL-DTL-22992 SERIES

CONNECTOR ACCESSORY

QUICK REFERENCE

(FOR COMPLETE DETAILS ON THESE PARTS THAT ARE NOT ON
THE FOLLOWING PAGES SEE **SPACECRAFT CATALOG 402**)

Description		Spacecraft Part Number	Alternate Part Number	Page Number
Backshells, Straight Environmental	Cable Sealing Adapter	B002A-AK B002B-AK		Cat 402
	Cable Sealing Gland Through Style	B049AK03	M85049/3	5L-2
	Cable Sealing Gland Step Up Style	B049AK04	M85049/4	5L-12
	Cable Sealing Gland Step Down Style	B049AK05	M85049/5	5L-22
	For Anamet Conduit	B031*AK		Cat 402
	For Pg Adapter	B033*AK		Cat 402
	For Pipe Thread (Pt) Adapters	B035*AK		Cat 402
	For Sealtite™ Liquidtite Conduit	B037*AK		Cat 402
Backshells, 45° Environmental - Cable Sealing Gland		B002CC-AK		Cat 402
Backshells, 90° Environmental -Cable Sealing Gland		B002D-AK		Cat 402
Backshells, Shorting Cans		B012*AK B013*AK		Cat 402
Backshells, Strain Reliefs	Cable Clamps		MS3057-*B MS3057-*C	Cat 402
	Individual Wire Sealing	SCP74191-*		Cat 402
Backshells, Shrink Boot Adapters		B006A-AK B006B-AK B049AK59		Cat 402
Dummy Receptacles		DRP02 SCP18062-*	MS18062	5L-34
Dust Caps, Metal, For Plug		DCP02 SCP17350-*	MS17350	5L-36
Dust Caps, Metal, For Receptacle		DCR02 SCP17349-*	MS17349	5L-35
Gasket For Flange Mount Receptacles		SCP36675-* SCP40450-*	M85049/130	6L-2
Mounting Plates		NOTE 1		Cat 402
Rubber Bushings for MS3057-*		MS3420-*A		Cat 402

* Additional alpha-numeric are required to complete part number.

1. Contact sales department for part numbers and availability.

M85049/3*A1

STRAIGHT ADAPTER WITH CABLE CLAMP

SUPERSEDES MS17340*A1

B049AK3*A1

FOR MIL-DTL-22992 CLASS C & R

Military — **M85049/3** **A 2 A 1**
MS17340 **N 2 A 1**
 Spacecraft — **B049AK3** **A 2 A 1**

SPECIFICATION DESIGNATOR

FINISH/MATERIAL

MS17340	M85049	B049AK	FINISH
C	-	-	Cadmium, olive drab
N	A	A	Hard anodize
-	W	W	Cadmium, olive drab over suitable underplate 1000 hr. salt spray
-	X	X	Aluminum, nickel fluorocarbon polymer (RoHS compliant)
-	Y	Y	Aluminum, pure dense electrodeposited aluminum (RoHS compliant)
-	Z	Z	Aluminum, zinc nickel, black (RoHS compliant)

ADAPTER SIZE

See Dimension Table below.

STYLE

Style 1 adapters are for use with class R and C connectors.

Style 2 adapters are for use with class R, C and J connectors.

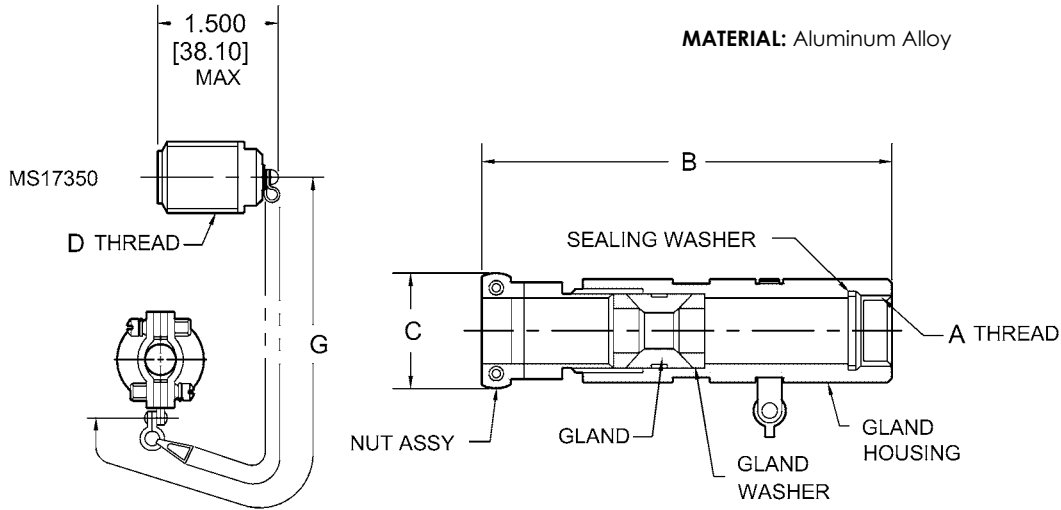
Styles 1 and 2 adapters are for use with connectors MS17343, MS17344, MS17345 and MS17347.

Style 3 applies only to M85049/3.

TYPE

A For use with MS17344.

B For use with MS17343, MS17345 and MS17347.



ADAPT. SIZE NO.	SIZE	CABLE RANGE		A THREAD CLASS 2B-LH	B MAX.	C ±.031 [±0.79]	D THREAD CLASS 2 (A OR B)	ØE MAX.	F MAX.	G WITHIN ONE LINK
		MAX.	MIN.							
1	12	.375 [9.52]	.281 [7.14]	.750-20 UNEF	3.365 [85.47]	1.062 [26.97]	.875-0.1P-0.2L-DS	1.094 [27.79]	.765 [19.43]	5.00 [127.00]
2	12	.281 [7.14]	.188 [4.78]	.750-20 UNEF	3.365 [85.47]	1.062 [26.97]	.875-0.1P-0.2L-DS	1.094 [27.79]	.765 [19.43]	5.00 [127.00]
3	14	.438 [11.13]	.344 [8.74]	.875-20 UNEF	3.678 [93.42]	1.125 [28.57]	1.000-0.1P-0.2L-DS	1.219 [30.96]	.765 [19.43]	5.00 [127.00]
4	16	.605 [15.37]	.511 [12.98]	1.000-20 UNEF	4.177 [106.10]	1.375 [34.92]	1.125-0.1P-0.2L-DS	1.344 [34.14]	.980 [24.89]	5.00 [127.00]
5	16	.530 [13.46]	.436 [11.07]	1.000-20 UNEF	4.177 [106.10]	1.375 [34.92]	1.125-0.1P-0.2L-DS	1.344 [34.14]	.980 [24.89]	5.00 [127.00]
6	16	.405 [10.29]	.311 [7.90]	1.000-20 UNEF	4.177 [106.10]	1.375 [34.92]	1.125-0.1P-0.2L-DS	1.344 [34.14]	.980 [24.89]	5.00 [127.00]

Dimensions in brackets [] are in millimeters.



M85049/3*A1

STRAIGHT ADAPTER WITH CABLE CLAMP

SUPERSEDES MS17340*A1

B049AK3*A1

ADAPT. SIZE NO.	SIZE	CABLE RANGE		A THREAD CLASS 2B-LH	B MAX.	C ±.031 [±0.79]	D THREAD CLASS 2 (A OR B)	ØE MAX.	F MAX.	G WITHIN ONE LINK
		MAX.	MIN.							
7	18	.625 [15.87]	.531 [13.49]	1.125-18 NEF	4.489 [114.02]	1.562 [39.67]	1.250-0.1P-0.2L-DS	1.469 [37.31]	.980 [24.89]	5.00 [127.00]
8	18	.699 [17.75]	.605 [15.37]	1.125-18 NEF	4.489 [114.02]	1.562 [39.67]	1.250-0.1P-0.2L-DS	1.469 [37.31]	.980 [24.89]	5.00 [127.00]
9	18	.500 [12.70]	.406 [10.31]	1.125-18 NEF	4.489 [114.02]	1.562 [39.67]	1.250-0.1P-0.2L-DS	1.469 [37.31]	.980 [24.89]	5.00 [127.00]
10	18	.455 [11.56]	.361 [9.17]	1.125-18 NEF	4.489 [114.02]	1.562 [39.67]	1.250-0.1P-0.2L-DS	1.469 [37.31]	.980 [24.89]	5.00 [127.00]
11	20	.828 [21.03]	.715 [18.16]	1.250-18 NEF	4.615 [117.22]	1.688 [42.88]	1.375-0.1P-0.2L-DS	1.562 [39.67]	.980 [24.89]	5.00 [127.00]
12	20	.562 [14.27]	.449 [11.40]	1.250-18 NEF	4.615 [117.22]	1.688 [42.88]	1.375-0.1P-0.2L-DS	1.562 [39.67]	.980 [24.89]	5.00 [127.00]
13	22	.750 [19.05]	.637 [16.18]	1.375-18 NEF	4.647 [118.03]	1.812 [46.02]	1.500-0.1P-0.2L-DS	1.688 [42.88]	.980 [24.89]	6.00 [152.40]
14	22	.900 [22.86]	.787 [19.99]	1.375-18 NEF	4.647 [118.03]	1.812 [46.02]	1.500-0.1P-0.2L-DS	1.688 [42.88]	.980 [24.89]	6.00 [152.40]
15	22	.805 [20.45]	.692 [17.58]	1.375-18 NEF	4.647 [118.03]	1.812 [46.02]	1.500-0.1P-0.2L-DS	1.688 [42.88]	.980 [24.89]	6.00 [152.40]
16	24	1.055 [26.80]	.930 [23.62]	1.625-18 NEF	4.896 [124.36]	2.125 [53.97]	1.750-0.1P-0.2L-DS	1.938 [49.23]	.980 [24.89]	6.00 [152.40]
17	24	1.000 [25.40]	.875 [22.22]	1.625-18 NEF	4.896 [124.36]	2.125 [53.97]	1.750-0.1P-0.2L-DS	1.938 [49.23]	.980 [24.89]	6.00 [152.40]
18	24	1.109 [28.17]	.984 [24.99]	1.625-18 NEF	4.896 [124.36]	2.125 [53.97]	1.750-0.1P-0.2L-DS	1.938 [49.23]	.980 [24.89]	6.00 [152.40]
19	24	.880 [22.35]	.755 [19.18]	1.625-18 NEF	4.896 [124.36]	2.125 [53.97]	1.750-0.1P-0.2L-DS	1.938 [49.23]	.980 [24.89]	6.00 [152.40]
20	28	1.180 [29.97]	1.055 [26.80]	1.875-16 UN	4.959 [125.96]	2.469 [62.71]	2.000-0.1P-0.2L-DS	2.219 [56.36]	.980 [24.89]	6.00 [152.40]
21	28	1.230 [31.24]	1.105 [28.07]	1.875-16 UN	4.959 [125.96]	2.469 [62.71]	2.000-0.1P-0.2L-DS	2.219 [56.36]	.980 [24.89]	6.00 [152.40]
22	28	1.310 [33.27]	1.185 [30.10]	1.875-16 UN	4.959 [125.96]	2.469 [62.71]	2.000-0.1P-0.2L-DS	2.219 [56.36]	.980 [24.89]	6.00 [152.40]
23	32	1.455 [36.96]	1.320 [33.53]	2.062-16 UNS	5.021 [127.53]	2.625 [66.67]	2.250-0.1P-0.2L-DS	2.469 [62.71]	.980 [24.89]	6.00 [152.40]
24	32	1.531 [38.89]	1.406 [35.71]	2.062-16 UNS	5.021 [127.53]	2.625 [66.67]	2.250-0.1P-0.2L-DS	2.469 [62.71]	.980 [24.89]	6.00 [152.40]
25	32	1.375 [34.92]	1.250 [31.75]	2.062-16 UNS	5.021 [127.53]	2.625 [66.67]	2.250-0.1P-0.2L-DS	2.469 [62.71]	.980 [24.89]	6.00 [152.40]
26	36	1.656 [42.06]	1.531 [38.89]	2.312-16 UNS	5.083 [129.11]	2.953 [75.01]	2.500-0.1P-0.2L-DS	2.719 [69.06]	.980 [24.89]	6.00 [152.40]
27	36	1.562 [39.67]	1.437 [36.50]	2.312-16 UNS	5.083 [129.11]	2.953 [75.01]	2.500-0.1P-0.2L-DS	2.719 [69.06]	.980 [24.89]	6.00 [152.40]
28†	44	2.250 [57.15]	2.105 [53.47]	2.875-16 UN	6.471 [164.36]	3.500 [88.90]	3.000-0.1P-0.2L-DS	3.217 [81.71]	.980 [24.89]	6.00 [152.40]
29†	44	2.170 [55.12]	2.025 [51.43]	2.875-16 UN	6.471 [164.36]	3.500 [88.90]	3.000-0.1P-0.2L-DS	3.217 [81.71]	.980 [24.89]	6.00 [152.40]

Dimensions in brackets [] are in millimeters.

† Applies only to M85049/3, not to MS17340.

5L

M85049/3*A2

STRAIGHT ADAPTER WITH CABLE CLAMP

SUPERSEDES MS17340*A2

B049AK3*A2

FOR MIL-DTL-22992 CLASS C & R

Military — **M85049/3** **A 2 A 2**
MS17340 **N 2 A 2**
 Spacecraft — **B049AK3** **A 2 A 2**

SPECIFICATION DESIGNATOR

FINISH/MATERIAL

MS17340	M85049	B049AK	FINISH
C	-	-	Cadmium, olive drab
N	A	A	Hard anodize
-	W	W	Cadmium, olive drab over suitable underplate 1000 hr. salt spray
-	X	X	Aluminum, nickel fluorocarbon polymer (RoHS compliant)
-	Y	Y	Aluminum, pure dense electrodeposited aluminum (RoHS compliant)
-	Z	Z	Aluminum, zinc nickel, black (RoHS compliant)

STYLE

Style 1 adapters are for use with class R and C connectors.
 Style 2 adapters are for use with class R, C and J connectors.
 Styles 1 and 2 adapters are for use with connectors MS17343, MS17344, MS17345 and MS17347.
 Style 3 applies only to M85049/3.

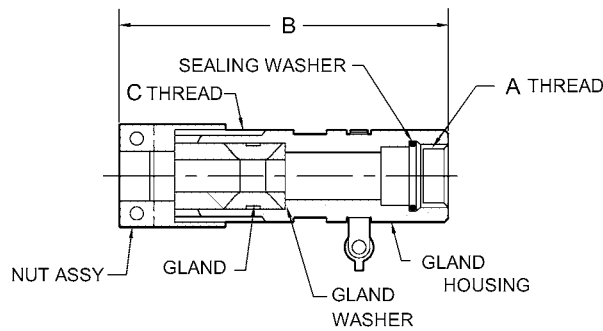
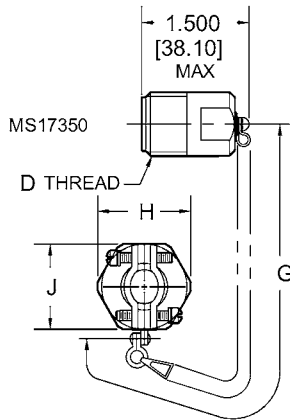
TYPE

A For use with MS17344.
B For use with MS17343, MS17345 and MS17347.

ADAPTER SIZE

See Dimension Table below.

MATERIAL: Aluminum Alloy



ADAPT. SIZE NO.	SIZE	CABLE RANGE		A THREAD CLASS 2B-LH	B MAX.	C GLAND THREADS CLASS 2-LH	D THREAD CLASS 2A/B	ØE MAX.	F MAX.	G WITHIN ONE LINK	H MAX.	J ±0.005 [±0.13]
		MAX.	MIN.									
1	12	.396 [10.06]	.246 [6.25]	.750-20 UNEF	4.000 [101.60]	.9375-20 UNEF	.875-0.1 P-0.2L-DS	1.094 [27.79]	.765 [19.43]	5.00 [127.00]	1.110 [28.19]	1.094 [27.79]
2	14	.521 [13.23]	.321 [8.15]	.875-20 UNEF	4.100 [104.14]	1.062-18 UNEF	1.000-0.1P-0.2L-DS	1.219 [30.96]	.765 [19.43]	5.00 [127.00]	1.320 [33.53]	1.219 [30.96]
3	16	.646 [16.41]	.446 [11.33]	1.000-20 UNEF	4.400 [111.76]	1.187-18 NEF	1.125-0.1P-0.2L-DS	1.344 [34.14]	.980 [24.89]	5.00 [127.00]	1.420 [36.07]	1.344 [34.14]
4	18	.765 [19.43]	.565 [14.35]	1.125-18 NEF	4.900 [124.46]	1.312-18 NEF	1.250-0.1P-0.2L-DS	1.469 [37.31]	.980 [24.89]	5.00 [127.00]	1.600 [40.64]	1.469 [37.31]
5	20	.890 [22.61]	.690 [17.53]	1.250-18 NEF	4.900 [124.46]	1.437-18 NEF	1.375-0.1P-0.2L-DS	1.562 [39.67]	.980 [24.89]	5.00 [127.00]	1.750 [44.45]	1.625 [41.27]
6	22	1.015 [25.78]	.815 [20.70]	1.375-18 NEF	4.900 [124.46]	1.562-18 NEF	1.500-0.1P-0.2L-DS	1.688 [42.88]	.980 [24.89]	6.00 [152.40]	1.900 [48.26]	1.750 [44.45]
7	24	1.180 [29.97]	.980 [24.89]	1.625-18 NEF	5.000 [127.00]	1.812-16 N	1.750-0.1P-0.2L-DS	1.938 [49.23]	.980 [24.89]	6.00 [152.40]	2.190 [55.63]	2.000 [50.80]
8	28	1.430 [36.32]	1.230 [31.24]	1.875-16 UN	5.300 [134.62]	2.062-16 N	2.000-0.1P-0.2L-DS	2.219 [56.36]	.980 [24.89]	6.00 [152.40]	2.475 [62.86]	2.250 [57.15]
9	28	1.230 [31.24]	1.030 [26.16]	1.875-16 UN	5.300 [134.62]	2.062-16 N	2.000-0.1P-0.2L-DS	2.219 [56.36]	.980 [24.89]	6.00 [152.40]	2.475 [62.86]	2.250 [57.15]
10	32	1.670 [42.42]	1.430 [36.32]	2.062-16 N	5.600 [142.24]	2.312-16 N	2.250-0.1P-0.2L-DS	2.469 [62.71]	.980 [24.89]	6.00 [152.40]	2.715 [68.96]	2.500 [63.50]
11	36	1.860 [47.24]	1.660 [42.16]	2.312-16 N	5.600 [142.24]	2.500-16 UN	2.500-0.1P-0.2L-DS	2.719 [69.06]	.980 [24.89]	6.00 [152.40]	2.900 [73.66]	2.750 [69.85]
12	40	2.110 [53.59]	1.860 [47.24]	2.625-16 UN	5.725 [145.41]	2.875-16 UN	2.750-0.1P-0.2L-DS	2.969 [75.41]	.980 [24.89]	6.00 [152.40]	3.250 [82.55]	3.062 [77.77]

Dimensions in brackets [] are in millimeters.



M85049/3*A3

STRAIGHT ADAPTER WITH STRAIN RELIEF

SUPERSEDES MS90571*A

B049AK3*A3

FOR MIL-DTL-22992 CLASS C & R

Military — **M85049/3** A 2 A 3
MS90571 N 2 A
 Spacecraft — **B049AK3** A 2 A 3

SPECIFICATION DESIGNATOR

FINISH/MATERIAL

MS17340	M85049	B049AK	FINISH
C	-	-	Cadmium, olive drab
N	A	A	Hard anodize
-	W	W	Cadmium, olive drab over suitable underplate 1000 hr. salt spray
-	X	X	Aluminum, nickel fluorocarbon polymer (RoHS compliant)
-	Y	Y	Aluminum, pure dense electrodeposited aluminum (RoHS compliant)
-	Z	Z	Aluminum, zinc nickel, black (RoHS compliant)

STYLE

(M85049/3 Only.)

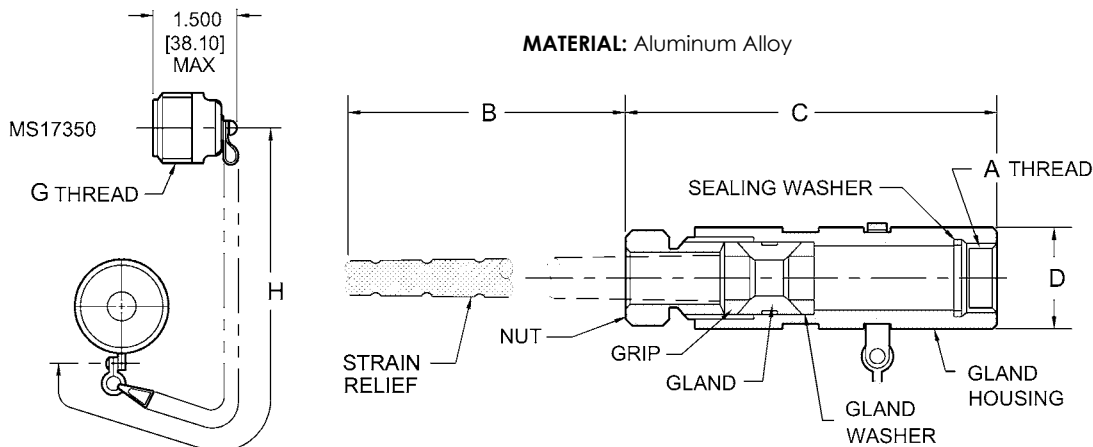
TYPE

A For use with MS17344.

B For use with MS17343, MS17345 and MS17347.

ADAPTER SIZE

See Dimension Table below.



ADAPT SIZE NO.	SIZE	CABLE RANGE		A THREAD CLASS 2B-LH	B APPROX. FREE LENGTH	C MAX.	ØD +.010 -.020 [+0.25 -0.51]	ØE MAX.	F MAX.	G THREAD (PLATED) CLASS 2 (A OR B)	H WITHIN ONE LINK
		MAX.	MIN.								
1	12	.337 [8.56]	.281 [7.14]	.7500-20 UNEF	3.344 [84.94]	2.935 [74.55]	.938 [23.83]	1.094 [27.79]	.765 [19.43]	.875-01 P-0.2L-DS	5.00 [127.00]
2	12	.281 [7.14]	.219 [5.56]	.7500-20 UNEF	2.844 [72.24]	2.935 [74.55]	.938 [23.83]	1.094 [27.79]	.765 [19.43]	.875-01 P-0.2L-DS	5.00 [127.00]
3	14	.438 [11.13]	.400 [10.16]	.875-20 UNEF	4.344 [110.34]	3.248 [82.50]	1.062 [26.97]	1.219 [30.96]	.765 [19.43]	1.000-01 P-0.2L-DS	5.00 [127.00]
4	16	.605 [15.37]	.511 [12.98]	1.000-20 UNEF	5.188 [131.78]	3.712 [94.28]	1.188 [30.18]	1.344 [34.14]	.980 [24.89]	1.125-01P-0.2L-DS	5.00 [127.00]
5	16	.530 [13.46]	.436 [11.07]	1.000-20 UNEF	4.688 [119.08]	3.712 [94.28]	1.188 [30.18]	1.344 [34.14]	.980 [24.89]	1.125-01P-0.2L-DS	5.00 [127.00]
6	16	.405 [10.29]	.316 [8.03]	1.000-20 UNEF	3.688 [93.68]	3.712 [94.28]	1.188 [30.18]	1.344 [34.14]	.980 [24.89]	1.125-01P-0.2L-DS	5.00 [127.00]
7	18	.699 [17.75]	.605 [15.37]	1.125-18 UNEF	6.188 [157.18]	4.024 [102.21]	1.312 [33.32]	1.469 [37.31]	.980 [24.89]	1.250-01 P-0.2L-DS	5.00 [127.00]
8	18	.625 [15.87]	.560 [14.22]	1.125-18 UNEF	6.188 [157.18]	4.024 [102.21]	1.312 [33.32]	1.469 [37.31]	.980 [24.89]	1.250-01 P-0.2L-DS	5.00 [127.00]
9	18	.455 [11.56]	.361 [9.17]	1.125-18 UNEF	4.188 [106.38]	4.024 [102.21]	1.312 [33.32]	1.469 [37.31]	.980 [24.89]	1.250-01 P-0.2L-DS	5.00 [127.00]

Dimensions in brackets [] are in millimeters.

CONTINUED ON NEXT PAGE

M85049/3*A3

STRAIGHT ADAPTER WITH STRAIN RELIEF

SUPERSEDES MS90571*A

B049AK3*A3

CONTINUED FROM PREVIOUS PAGE

ADAPT SIZE NO.	SIZE	CABLE RANGE		A THREAD CLASS 2B-LH	B APPROX. FREE LENGTH	C MAX.	ØD +0.010 -.020 [+0.25 -.51]	ØE MAX.	F MAX.	G THREAD (PLATED) CLASS 2 (A OR B)	H WITHIN ONE LINK
		MAX.	MIN.								
10	20	.828 [21.03]	.715 [18.16]	1.250-18 UNEF	6.688 [169.88]	4.115 [104.52]	1.438 [36.53]	1.562 [39.67]	.980 [24.89]	1.375-01P-0.2L-DS	5.00 [127.00]
11	20	.562 [14.27]	.449 [11.40]	1.250-18 UNEF	5.188 [131.78]	4.115 [104.52]	1.438 [36.53]	1.562 [39.67]	.980 [24.89]	1.375-01P-0.2L-DS	5.00 [127.00]
12	22	.900 [22.86]	.787 [19.99]	1.375-18 UNEF	7.188 [182.58]	4.150 [105.41]	1.562 [39.67]	1.688 [42.88]	.980 [24.89]	1.500-01P-0.2L-DS	6.00 [152.40]
13	22	.750 [19.05]	.637 [16.18]	1.375-18 UNEF	6.688 [169.88]	4.150 [105.41]	1.562 [39.67]	1.688 [42.88]	.980 [24.89]	1.500-01P-0.2L-DS	6.00 [152.40]
14	24	1.109 [28.17]	.984 [24.99]	1.625-18 UNEF	7.688 [195.28]	4.212 [106.98]	1.812 [46.02]	1.938 [49.23]	.980 [24.89]	1.750-01P-0.2L-DS	6.00 [152.40]
15	24	1.000 [25.40]	.875 [22.22]	1.625-18 UNEF	7.188 [182.58]	4.212 [106.98]	1.812 [46.02]	1.938 [49.23]	.980 [24.89]	1.750-01P-0.2L-DS	6.00 [152.40]
16	24	.880 [22.35]	.755 [19.18]	1.625-18 UNEF	6.688 [169.88]	4.212 [106.98]	1.812 [46.02]	1.938 [49.23]	.980 [24.89]	1.750-01P-0.2L-DS	6.00 [152.40]
17	28	1.310 [33.27]	1.185 [30.10]	1.875-16 UN	8.688 [220.68]	4.275 [108.58]	2.062 [52.37]	2.219 [56.36]	.980 [24.89]	2.000-01P-0.2L-DS	6.00 [152.40]
18	28	1.230 [31.24]	1.105 [28.07]	1.875-16 UNS	8.188 [207.98]	4.275 [108.58]	2.062 [52.37]	2.219 [56.36]	.980 [24.89]	2.000-01P-0.2L-DS	6.00 [152.40]
19	28	1.180 [29.97]	1.055 [26.80]	1.875-16 UNS	8.188 [207.98]	4.275 [108.58]	2.062 [52.37]	2.219 [56.36]	.980 [24.89]	2.000-01P-0.2L-DS	6.00 [152.40]
20	32	1.531 [38.89]	1.406 [35.71]	2.062-16 UN	10.688 [271.48]	4.337 [110.16]	2.312 [58.72]	2.469 [62.71]	.980 [24.89]	2.250-01P-0.2L-DS	6.00 [152.40]
21	32	1.445 [36.70]	1.320 [33.53]	2.062-16 UN	9.688 [246.08]	4.337 [110.16]	2.312 [58.72]	2.469 [62.71]	.980 [24.89]	2.250-01P-0.2L-DS	6.00 [152.40]
22	32	1.375 [34.92]	1.250 [31.75]	2.062-16 UN	9.688 [246.08]	4.337 [110.16]	2.312 [58.72]	2.469 [62.71]	.980 [24.89]	2.250-01P-0.2L-DS	6.00 [152.40]
23	36	1.656 [42.06]	1.531 [38.89]	2.312-16 UN	12.688 [322.28]	4.399 [111.73]	2.562 [65.07]	2.719 [69.06]	.980 [24.89]	2.500-01P-0.2L-DS	6.00 [152.40]
24	36	1.562 [39.67]	1.437 [36.50]	2.312-16 UN	11.188 [284.18]	4.399 [111.73]	2.562 [65.07]	2.719 [69.06]	.980 [24.89]	2.500-01P-0.2L-DS	6.00 [152.40]
25†	44	2.250 [57.15]	2.105 [53.47]	2.875-16 UN	17.188 [436.58]	5.799 [147.29]	3.125 [79.37]	3.217 [81.71]	.980 [24.89]	3.000-01P-0.2L-DS	6.00 [152.40]
26†	44	2.170 [55.12]	2.025 [51.43]	2.875-16 UN	17.188 [436.58]	5.799 [147.29]	3.125 [79.37]	3.217 [81.71]	.980 [24.89]	3.000-01P-0.2L-DS	6.00 [152.40]

Dimensions in brackets [] are in millimeters.

† Applies to M85049/3, not MS90571.



M85049/3*B1

STRAIGHT ADAPTER WITH CABLE CLAMP

SUPERSEDES MS17340*B1

B049AK3*B1

FOR MIL-DTL-22992 CLASS C & R

Military — **M85049/3** A 2 B 1
MS17340 N 2 B 1
 Spacecraft — **B049AK3** A 2 B 1

SPECIFICATION DESIGNATOR

FINISH/MATERIAL

MS17340	M85049	B049AK	FINISH
C	-	-	Cadmium, olive drab
N	A	A	Hard anodize
-	W	W	Cadmium, olive drab over suitable underplate 1000 hr. salt spray
-	X	X	Aluminum, nickel fluorocarbon polymer (RoHS compliant)
-	Y	Y	Aluminum, pure dense electrodeposited aluminum (RoHS compliant)
-	Z	Z	Aluminum, zinc nickel, black (RoHS compliant)

ADAPTER SIZE

See Dimension Table below.

STYLE

Style 1 adapters are for use with class R and C connectors.

Style 2 adapters are for use with class R, C and J connectors.

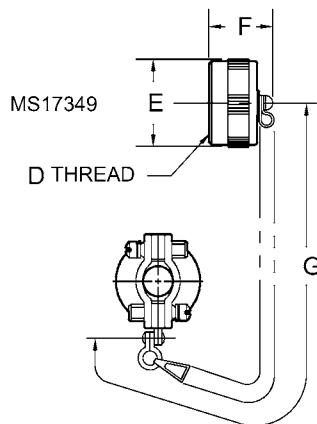
Styles 1 and 2 adapters are for use with connectors MS17343, MS17344, MS17345 and MS17347.

Style 3 applies only to M85049/3.

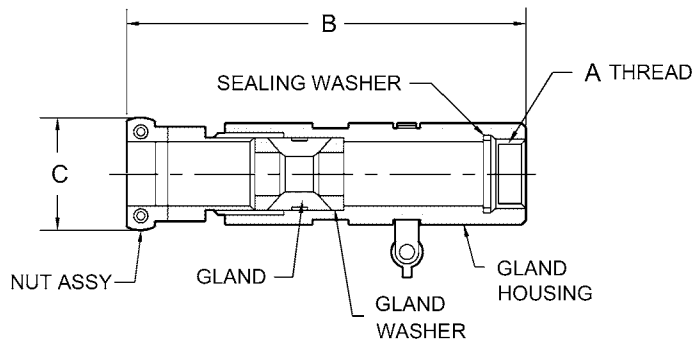
TYPE

A For use with MS17344.

B For use with MS17343, MS17345 and MS17347.



MATERIAL: Aluminum Alloy



ADAPT. SIZE NO.	SIZE	CABLE RANGE		A THREAD CLASS 2B-LH	B MAX.	C ±0.01 [±0.79]	D THREAD CLASS 2 (A OR B)	ØE MAX.	F MAX.	G WITHIN ONE LINK
		MAX.	MIN.							
1	12	.375 [9.52]	.281 [7.14]	.750-20 UNEF	3.365 [85.47]	1.062 [26.97]	.875-0.1P-0.2L-DS	1.094 [27.79]	.765 [19.43]	5.00 [127.00]
2	12	.281 [7.14]	.188 [4.78]	.750-20 UNEF	3.365 [85.47]	1.062 [26.97]	.875-0.1P-0.2L-DS	1.094 [27.79]	.765 [19.43]	5.00 [127.00]
3	14	.438 [11.13]	.344 [8.74]	.875-20 UNEF	3.678 [93.42]	1.125 [28.57]	1.000-0.1P-0.2L-DS	1.219 [30.96]	.765 [19.43]	5.00 [127.00]
4	16	.605 [15.37]	.511 [12.98]	1.000-20 UNEF	4.177 [106.10]	1.375 [34.92]	1.125-0.1P-0.2L-DS	1.344 [34.14]	.980 [24.89]	5.00 [127.00]
5	16	.530 [13.46]	.436 [11.07]	1.000-20 UNEF	4.177 [106.10]	1.375 [34.92]	1.125-0.1P-0.2L-DS	1.344 [34.14]	.980 [24.89]	5.00 [127.00]
6	16	.405 [10.29]	.311 [7.90]	1.000-20 UNEF	4.177 [106.10]	1.375 [34.92]	1.125-0.1P-0.2L-DS	1.344 [34.14]	.980 [24.89]	5.00 [127.00]
7	18	.625 [15.87]	.531 [13.49]	1.125-18 NEF	4.489 [114.02]	1.562 [39.67]	1.250-0.1P-0.2L-DS	1.469 [37.31]	.980 [24.89]	5.00 [127.00]
8	18	.699 [17.75]	.605 [15.37]	1.125-18 NEF	4.489 [114.02]	1.562 [39.67]	1.250-0.1P-0.2L-DS	1.469 [37.31]	.980 [24.89]	5.00 [127.00]
9	18	.500 [12.70]	.406 [10.31]	1.125-18 NEF	4.489 [114.02]	1.562 [39.67]	1.250-0.1P-0.2L-DS	1.469 [37.31]	.980 [24.89]	5.00 [127.00]
10	18	.455 [11.56]	.361 [9.17]	1.125-18 NEF	4.489 [114.02]	1.562 [39.67]	1.250-0.1P-0.2L-DS	1.469 [37.31]	.980 [24.89]	5.00 [127.00]

Dimensions in brackets [] are in millimeters.

CONTINUED ON NEXT PAGE

M85049/3*B1

STRAIGHT ADAPTER WITH CABLE CLAMP

SUPERSEDES MS17340*B1

B049AK3*B1

CONTINUED FROM PREVIOUS PAGE

ADAPT. SIZE NO.	SIZE	CABLE RANGE		A THREAD CLASS 2B-LH	B MAX.	C ±.031 [±0.79]	D THREAD CLASS 2 (A OR B)	ØE MAX.	F MAX.	G WITHIN ONE LINK
		MAX.	MIN.							
11	20	.828 [21.03]	.715 [18.16]	1.250-18 NEF	4.615 [117.22]	1.688 [42.88]	1.375-0.1P-0.2L-DS	1.562 [39.67]	.980 [24.89]	5.00 [127.00]
12	20	.562 [14.27]	.449 [11.40]	1.250-18 NEF	4.615 [117.22]	1.688 [42.88]	1.375-0.1P-0.2L-DS	1.562 [39.67]	.980 [24.89]	5.00 [127.00]
13	22	.750 [19.05]	.637 [16.18]	1.375-18 NEF	4.647 [118.03]	1.812 [46.02]	1.500-0.1P-0.2L-DS	1.688 [42.88]	.980 [24.89]	6.00 [152.40]
14	22	.900 [22.86]	.787 [19.99]	1.375-18 NEF	4.647 [118.03]	1.812 [46.02]	1.500-0.1P-0.2L-DS	1.688 [42.88]	.980 [24.89]	6.00 [152.40]
15	22	.805 [20.45]	.692 [17.58]	1.375-18 NEF	4.647 [118.03]	1.812 [46.02]	1.500-0.1P-0.2L-DS	1.688 [42.88]	.980 [24.89]	6.00 [152.40]
16	24	1.055 [26.80]	.930 [23.62]	1.625-18 NEF	4.896 [124.36]	2.125 [53.97]	1.750-0.1P-0.2L-DS	1.938 [49.23]	.980 [24.89]	6.00 [152.40]
17	24	1.000 [25.40]	.875 [22.22]	1.625-18 NEF	4.896 [124.36]	2.125 [53.97]	1.750-0.1P-0.2L-DS	1.938 [49.23]	.980 [24.89]	6.00 [152.40]
18	24	1.109 [28.17]	.984 [24.99]	1.625-18 NEF	4.896 [124.36]	2.125 [53.97]	1.750-0.1P-0.2L-DS	1.938 [49.23]	.980 [24.89]	6.00 [152.40]
19	24	.880 [22.35]	.755 [19.18]	1.625-18 NEF	4.896 [124.36]	2.125 [53.97]	1.750-0.1P-0.2L-DS	1.938 [49.23]	.980 [24.89]	6.00 [152.40]
20	28	1.180 [29.97]	1.055 [26.80]	1.875-16 UN	4.959 [125.96]	2.469 [62.71]	2.000-0.1P-0.2L-DS	2.219 [56.36]	.980 [24.89]	6.00 [152.40]
21	28	1.230 [31.24]	1.105 [28.07]	1.875-16 UN	4.959 [125.96]	2.469 [62.71]	2.000-0.1P-0.2L-DS	2.219 [56.36]	.980 [24.89]	6.00 [152.40]
22	28	1.310 [33.27]	1.185 [30.10]	1.875-16 UN	4.959 [125.96]	2.469 [62.71]	2.000-0.1P-0.2L-DS	2.219 [56.36]	.980 [24.89]	6.00 [152.40]
23	32	1.455 [36.96]	1.320 [33.53]	2.062-16 UNS	5.021 [127.53]	2.625 [66.67]	2.250-0.1P-0.2L-DS	2.469 [62.71]	.980 [24.89]	6.00 [152.40]
24	32	1.531 [38.89]	1.406 [35.71]	2.062-16 UNS	5.021 [127.53]	2.625 [66.67]	2.250-0.1P-0.2L-DS	2.469 [62.71]	.980 [24.89]	6.00 [152.40]
25	32	1.375 [34.92]	1.250 [31.75]	2.062-16 UNS	5.021 [127.53]	2.625 [66.67]	2.250-0.1P-0.2L-DS	2.469 [62.71]	.980 [24.89]	6.00 [152.40]
26	36	1.656 [42.06]	1.531 [38.89]	2.312-16 UNS	5.083 [129.11]	2.953 [75.01]	2.500-0.1P-0.2L-DS	2.719 [69.06]	.980 [24.89]	6.00 [152.40]
27	36	1.562 [39.67]	1.437 [36.50]	2.312-16 UNS	5.083 [129.11]	2.953 [75.01]	2.500-0.1P-0.2L-DS	2.719 [69.06]	.980 [24.89]	6.00 [152.40]
28	44	2.250 [57.15]	2.105 [53.47]	2.875-16 UN	6.471 [164.36]	3.500 [88.90]	3.000-0.1P-0.2L-DS	3.217 [81.71]	.980 [24.89]	6.00 [152.40]
29	44	2.170 [55.12]	2.025 [51.43]	2.875-16 UN	6.471 [164.36]	3.500 [88.90]	3.000-0.1P-0.2L-DS	3.217 [81.71]	.980 [24.89]	6.00 [152.40]

Dimensions in brackets [] are in millimeters.

† Applies only to M85049/3, not to MS17340.



M85049/3* B2

STRAIGHT ADAPTER WITH CABLE CLAMP

SUPERSEDES MS17340*B2

B049AK3*B2

FOR MIL-DTL-22992 CLASS C & R

Military — **M85049/3** **A 2 B 2**
MS17340 **N 2 B 2**
 Spacecraft — **B049AK3** **A 2 B 2**

SPECIFICATION DESIGNATOR

FINISH/MATERIAL

MS17340	M85049	B049AK	FINISH
C	-	-	Cadmium, olive drab
N	A	A	Hard anodize
-	W	W	Cadmium, olive drab over suitable underplate 1000 hr. salt spray
-	X	X	Aluminum, nickel fluorocarbon polymer (RoHS compliant)
-	Y	Y	Aluminum, pure dense electrodeposited aluminum (RoHS compliant)
-	Z	Z	Aluminum, zinc nickel, black (RoHS compliant)

STYLE

Style 1 adapters are for use with class R and C connectors.

Style 2 adapters are for use with class R, C and J connectors.

Styles 1 and 2 adapters are for use with connectors MS17343, MS17344, MS17345 and MS17347.

Style 3 applies only to M85049/3.

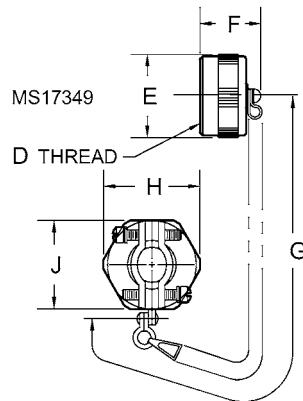
TYPE

A For use with MS17344.

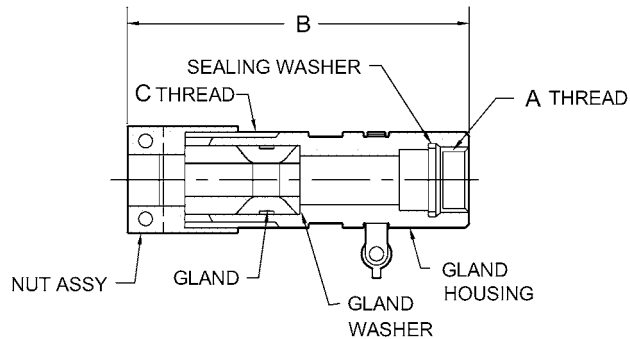
B For use with MS17343, MS17345 and MS17347.

ADAPTER SIZE

See Dimension Table below.



MATERIAL: Aluminum Alloy



ADAPT SIZE NO.	SIZE	CABLE RANGE		A THREAD CLASS 2B/LH	B MAX.	C GLAND THREADS CLASS 2-LH	D THREAD CLASS 2A/B	ØE MAX.	F MAX.	G WITHIN ONE LINK	H MAX.	J ±.005 [±0.13]
		MAX.	MIN.									
1	12	.396 [10.06]	.246 [6.25]	.750-20 UNEF	4.000 [101.60]	.9375-20 UNEF	.875-0.1P-0.2L-DS	1.094 [27.79]	.765 [19.43]	5.00 [127.00]	1.110 [28.19]	1.094 [27.79]
2	14	.521 [13.23]	.321 [8.15]	.875-20 UNEF	4.100 [104.14]	1.062-18 UNEF	1.000-0.1P-0.2L-DS	1.219 [30.96]	.765 [19.43]	5.00 [127.00]	1.320 [33.53]	1.219 [30.96]
3	16	.646 [16.41]	.446 [11.33]	1.000-20 UNEF	4.400 [111.76]	1.187-18 NEF	1.125-0.1P-0.2L-DS	1.344 [34.14]	.980 [24.89]	5.00 [127.00]	1.420 [36.07]	1.344 [34.14]
4	18	.765 [19.43]	.565 [14.35]	1.125-18 UNEF	4.900 [124.46]	1.312-18 NEF	1.250-0.1P-0.2L-DS	1.469 [37.31]	.980 [24.89]	5.00 [127.00]	1.600 [40.64]	1.469 [37.31]
5	20	.890 [22.61]	.690 [17.53]	1.250-18 UNEF	4.900 [124.46]	1.437-18 NEF	1.375-0.1P-0.2L-DS	1.562 [39.67]	.980 [24.89]	5.00 [127.00]	1.750 [44.45]	1.625 [41.27]
6	22	1.015 [25.78]	.815 [20.70]	1.375-18 UNEF	4.900 [124.46]	1.562-18 NEF	1.500-0.1P-0.2L-DS	1.688 [42.88]	.980 [24.89]	6.00 [152.40]	1.900 [48.26]	1.750 [44.45]
7	24	1.180 [29.97]	.980 [24.89]	1.625-18 NEF	5.000 [127.00]	1.812-16 N	1.750-0.1P-0.2L-DS	1.938 [49.23]	.980 [24.89]	6.00 [152.40]	2.190 [55.63]	2.000 [50.80]
8	28	1.430 [36.32]	1.230 [31.24]	1.875-16 UN	5.300 [134.62]	2.062-16 N	2.000-0.1P-0.2L-DS	2.219 [56.36]	.980 [24.89]	6.00 [152.40]	2.475 [62.86]	2.250 [57.15]
9	28	1.230 [31.24]	1.030 [26.16]	1.875-16 UN	5.300 [134.62]	2.062-16 N	2.000-0.1P-0.2L-DS	2.219 [56.36]	.980 [24.89]	6.00 [152.40]	2.475 [62.86]	2.250 [57.15]
10	32	1.670 [42.42]	1.430 [36.32]	2.062-16 N	5.600 [142.24]	2.312-16 N	2.250-0.1P-0.2L-DS	2.469 [62.71]	.980 [24.89]	6.00 [152.40]	2.715 [68.96]	2.500 [63.50]
11	36	1.860 [47.24]	1.660 [42.16]	2.312-16 N	5.600 [142.24]	2.500-16 UN	2.500-0.1P-0.2L-DS	2.719 [69.06]	.980 [24.89]	6.00 [152.40]	2.900 [73.66]	2.750 [69.85]
12	40	2.110 [53.59]	1.860 [47.24]	2.625-16 UN	5.725 [145.41]	2.875-16 UN	2.750-0.1P-0.2L-DS	2.969 [75.41]	.980 [24.89]	6.00 [152.40]	3.250 [82.55]	3.062 [77.77]

Dimensions in brackets [] are in millimeters.

M85049/3*B3

STRAIGHT ADAPTER WITH STRAIN RELIEF

SUPERSEDES MS90571*B

B049AK3*B3

FOR MIL-DTL-22992 CLASS C & R

Military — **M85049/3** A 2 B 3
 MS90571 N 2 B
 Spacecraft — **B049AK3** A 2 B 3

SPECIFICATION DESIGNATOR

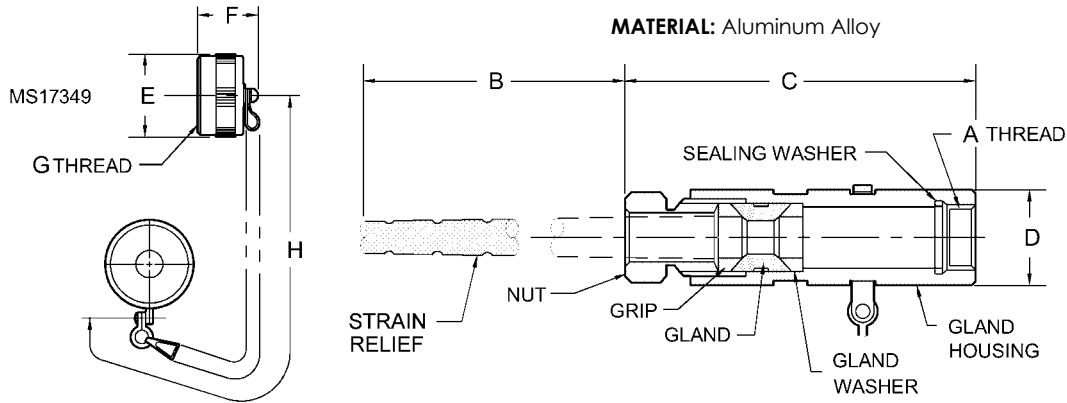
FINISH/MATERIAL

MS17340	M85049	B049AK	FINISH
C	-	-	Cadmium, olive drab
N	A	A	Hard anodize
-	W	W	Cadmium, olive drab over suitable underplate 1000 hr. salt spray
-	X	X	Aluminum, nickel fluorocarbon polymer (RoHS compliant)
-	Y	Y	Aluminum, pure dense electrodeposited aluminum (RoHS compliant)
-	Z	Z	Aluminum, zinc nickel, black (RoHS compliant)

STYLE
(M85049/3 Only.)

TYPE
A For use with MS17344.
B For use with MS17343, MS17345 and MS17347.

ADAPTER SIZE
 See Dimension Table below.



ADAPT SIZE NO.	SIZE	CABLE RANGE		A THREAD CLASS 2B-LH	B APPROX. FREE LENGTH	C MAX.	ØD +0.010 -0.020 [+0.25 -0.51]	ØE MAX.	F MAX.	G THREAD (PLATED) CLASS 2 (A OR B)	H WITHIN ONE LINK
		MAX.	MIN.								
1	12	.337 [8.56]	.281 [7.14]	.7500-20 UNEF	3.344 [84.94]	2.935 [74.55]	.938 [23.83]	1.094 [27.79]	.765 [19.43]	.875-01P-0.2L-DS	5.00 [127.00]
2	12	.281 [7.14]	.219 [5.56]	.7500-20 UNEF	2.844 [72.24]	2.935 [74.55]	.938 [23.83]	1.094 [27.79]	.765 [19.43]	.875-01P-0.2L-DS	5.00 [127.00]
3	14	.438 [11.13]	.400 [10.16]	.875-20 UNEF	4.344 [110.34]	3.248 [82.50]	1.062 [26.97]	1.219 [30.96]	.765 [19.43]	1.000-01P-0.2L-DS	5.00 [127.00]
4	16	.605 [15.37]	.511 [12.98]	1.000-20 UNEF	5.188 [131.78]	3.712 [94.28]	1.188 [30.18]	1.344 [34.14]	.980 [24.89]	1.125-01P-0.2L-DS	5.00 [127.00]
5	16	.530 [13.46]	.436 [11.07]	1.000-20 UNEF	4.688 [119.08]	3.712 [94.28]	1.188 [30.18]	1.344 [34.14]	.980 [24.89]	1.125-01P-0.2L-DS	5.00 [127.00]
6	16	.405 [10.29]	.316 [8.03]	1.000-20 UNEF	3.688 [93.68]	3.712 [94.28]	1.188 [30.18]	1.344 [34.14]	.980 [24.89]	1.125-01P-0.2L-DS	5.00 [127.00]
7	18	.699 [17.75]	.605 [15.37]	1.125-18 UNEF	6.188 [157.18]	4.024 [102.21]	1.312 [33.32]	1.469 [37.31]	.980 [24.89]	1.250-01P-0.2L-DS	5.00 [127.00]
8	18	.625 [15.87]	.560 [14.22]	1.125-18 UNEF	6.188 [157.18]	4.024 [102.21]	1.312 [33.32]	1.469 [37.31]	.980 [24.89]	1.250-01P-0.2L-DS	5.00 [127.00]
9	18	.455 [11.56]	.361 [9.17]	1.125-18 UNEF	4.188 [106.38]	4.024 [102.21]	1.312 [33.32]	1.469 [37.31]	.980 [24.89]	1.250-01P-0.2L-DS	5.00 [127.00]
10	20	.828 [21.03]	.715 [18.16]	1.250-18 UNEF	6.688 [169.88]	4.115 [104.52]	1.438 [36.53]	1.562 [39.67]	.980 [24.89]	1.375-01P-0.2L-DS	5.00 [127.00]
11	20	.562 [14.27]	.449 [11.40]	1.250-18 UNEF	5.188 [131.78]	4.115 [104.52]	1.438 [36.53]	1.562 [39.67]	.980 [24.89]	1.375-01P-0.2L-DS	5.00 [127.00]
12	22	.900 [22.86]	.787 [19.99]	1.375-18 UNEF	7.188 [182.58]	4.150 [105.41]	1.562 [39.67]	1.688 [42.88]	.980 [24.89]	1.500-01P-0.2L-DS	6.00 [152.40]

Dimensions in brackets [] are in millimeters.

ADAPT SIZE NO.	SIZE	CABLE RANGE		A THREAD CLASS 2B-LH	B APPROX. FREE LENGTH	C MAX.	ØD +.010 -.020 [+0.25 -0.51]	ØE MAX.	F MAX.	G THREAD (PLATED) CLASS 2 (A OR B)	H WITHIN ONE LINK
		MAX.	MIN.								
13	22	.750 [19.05]	.637 [16.18]	1.375-18 UNEF	6.688 [169.88]	4.150 [105.41]	1.562 [39.67]	1.688 [42.88]	.980 [24.89]	1.500-01P-0.2L-DS	6.00 [152.40]
14	24	1.109 [28.17]	.984 [24.99]	1.625-18 UNEF	7.688 [195.28]	4.212 [106.98]	1.812 [46.02]	1.938 [49.23]	.980 [24.89]	1.750-01P-0.2L-DS	6.00 [152.40]
15	24	1.000 [25.40]	.875 [22.22]	1.625-18 UNEF	7.188 [182.58]	4.212 [106.98]	1.812 [46.02]	1.938 [49.23]	.980 [24.89]	1.750-01P-0.2L-DS	6.00 [152.40]
16	24	.880 [22.35]	.755 [19.18]	1.625-18 UNEF	6.688 [169.88]	4.212 [106.98]	1.812 [46.02]	1.938 [49.23]	.980 [24.89]	1.750-01P-0.2L-DS	6.00 [152.40]
17	28	1.310 [33.27]	1.185 [30.10]	1.875-16 UNS	8.688 [220.68]	4.275 [108.58]	2.062 [52.37]	2.219 [56.36]	.980 [24.89]	2.000-01P-0.2L-DS	6.00 [152.40]
18	28	1.230 [31.24]	1.105 [28.07]	1.875-16 UNS	8.188 [207.98]	4.275 [108.58]	2.062 [52.37]	2.219 [56.36]	.980 [24.89]	2.000-01P-0.2L-DS	6.00 [152.40]
19	28	1.180 [29.97]	1.055 [26.80]	1.875-16 UN	8.188 [207.98]	4.275 [108.58]	2.062 [52.37]	2.219 [56.36]	.980 [24.89]	2.000-01P-0.2L-DS	6.00 [152.40]
20	32	1.531 [38.89]	1.406 [35.71]	2.062-16 UN	10.688 [271.48]	4.337 [110.16]	2.312 [58.72]	2.469 [62.71]	.980 [24.89]	2.250-01P-0.2L-DS	6.00 [152.40]
21	32	1.445 [36.70]	1.320 [33.53]	2.062-16 UN	9.688 [246.08]	4.337 [110.16]	2.312 [58.72]	2.469 [62.71]	.980 [24.89]	2.250-01P-0.2L-DS	6.00 [152.40]
22	32	1.375 [34.92]	1.250 [31.75]	2.062-16 UN	9.688 [246.08]	4.337 [110.16]	2.312 [58.72]	2.469 [62.71]	.980 [24.89]	2.250-01P-0.2L-DS	6.00 [152.40]
23	36	1.656 [42.06]	1.531 [38.89]	2.312-16 UN	12.688 [322.28]	4.399 [111.73]	2.562 [65.07]	2.719 [69.06]	.980 [24.89]	2.500-01P-0.2L-DS	6.00 [152.40]
24	36	1.562 [39.67]	1.437 [36.50]	2.312-16 UN	11.188 [284.18]	4.399 [111.73]	2.562 [65.07]	2.719 [69.06]	.980 [24.89]	2.500-01P-0.2L-DS	6.00 [152.40]
25†	44	2.250 [57.15]	2.105 [53.47]	2.875-16 UN	17.188 [436.58]	5.799 [147.29]	3.125 [79.37]	3.217 [81.71]	.980 [24.89]	3.000-01P-0.2L-DS	6.00 [152.40]
26†	44	2.170 [55.12]	2.025 [51.43]	2.875-16 UN	17.188 [436.58]	5.799 [147.29]	3.125 [79.37]	3.217 [81.71]	.980 [24.89]	3.000-01P-0.2L-DS	6.00 [152.40]

Dimensions in brackets [] are in millimeters.

† Applies to M85049/3, not MS90571.

M85049/4*A1

STEP-UP ADAPTER WITH CABLE CLAMP

SUPERSEDES MS17342*A1

B049AK4*A1

FOR MIL-DTL-22992 CLASS C & R

Military — **M85049/4** A 2 A 1
 — **MS17342** N 2 A 1
 Spacecraft — **B049AK4** A 2 A 1

SPECIFICATION DESIGNATOR

FINISH/MATERIAL

MS17340	M85049	B049AK	FINISH
C	-	-	Cadmium, olive drab
N	A	A	Hard anodize
-	W	W	Cadmium, olive drab over suitable underplate 1000 hr. salt spray
-	X	X	Aluminum, nickel fluorocarbon polymer (RoHS compliant)
-	Y	Y	Aluminum, pure dense electrodeposited aluminum (RoHS compliant)
-	Z	Z	Aluminum, zinc nickel, black (RoHS compliant)

ADAPTER SIZE

See Dimension Table below.

STYLE

Style 1 adapters are for use with class R and C connectors.

Style 2 adapters are for use with class R, C and J connectors.

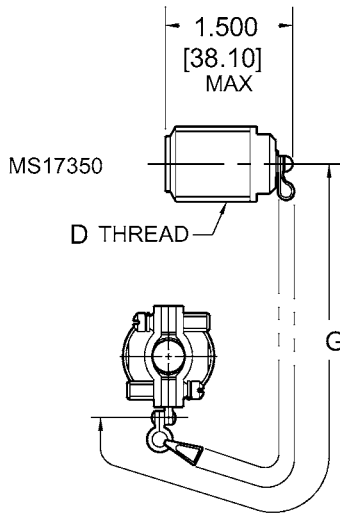
Styles 1 and 2 adapters are for use with connectors MS17343, MS17344, MS17345 and MS17347.

Style 3 applies only to M85049/4.

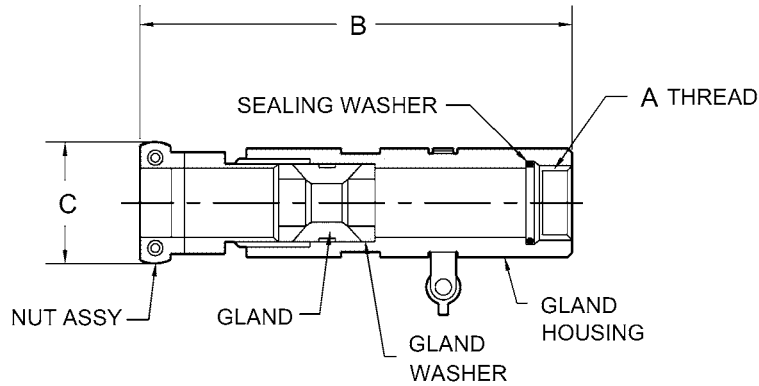
TYPE

A For use with MS17344.

B For use with MS17343, MS17345 and MS17347.



MATERIAL: Aluminum Alloy



ADAPT. SIZE NO.	SIZE	CABLE RANGE		A THREAD CLASS 2B-LH	B MAX.	C ±.031 [±0.79]	D THREAD CLASS 2 (A OR B)	ØE MAX.	F MAX.	G WITHIN ONE LINK
		MAX.	MIN.							
1	12	.530 [13.46]	.436 [11.07]	.750-20 UNEF	4.275 [108.58]	1.375 [34.92]	.875-0.1P-0.2L-DS	1.094 [27.79]	.765 [19.43]	5.00 [127.00]
2	12	.500 [12.70]	.406 [10.31]	.750-20 UNEF	3.678 [93.42]	1.125 [28.57]	.875-0.1P-0.2L-DS	1.094 [27.79]	.765 [19.43]	5.00 [127.00]
3	12	.405 [10.29]	.311 [7.90]	.750-20 UNEF	4.275 [108.58]	1.375 [34.92]	.875-0.1P-0.2L-DS	1.094 [27.79]	.765 [19.43]	5.00 [127.00]
4	14	.605 [15.37]	.511 [12.98]	.875-20 UNEF	4.177 [106.10]	1.375 [34.92]	1.000-0.1P-0.2L-DS	1.219 [30.96]	.765 [19.43]	5.00 [127.00]
5	14	.625 [15.87]	.531 [13.49]	.875-20 UNEF	4.489 [114.02]	1.562 [39.67]	1.000-0.1P-0.2L-DS	1.219 [30.96]	.765 [19.43]	5.00 [127.00]
6	14	.530 [13.46]	.436 [11.07]	.875-20 UNEF	4.177 [106.10]	1.375 [34.92]	1.000-0.1P-0.2L-DS	1.219 [30.96]	.765 [19.43]	5.00 [127.00]
7	14	.405 [10.29]	.311 [7.90]	.875-20 UNEF	4.177 [106.10]	1.375 [34.92]	1.000-0.1P-0.2L-DS	1.219 [30.96]	.765 [19.43]	5.00 [127.00]

Dimensions in brackets [] are in millimeters.



ADAPT. SIZE NO.	SIZE	CABLE RANGE		A THREAD CLASS 2B-LH	B MAX.	C ±.031 [±0.79]	D THREAD CLASS 2 (A OR B)	ØE MAX.	F MAX.	G WITHIN ONE LINK
		MAX.	MIN.							
8	18	.828 [21.03]	.715 [18.16]	1.125-18 NEF	4.584 [116.43]	1.688 [42.88]	1.250-0.1P-0.2L-DS	1.469 [37.31]	.980 [24.89]	5.00 [127.00]
9	20	.750 [19.05]	.637 [16.18]	1.250-18 NEF	4.647 [118.03]	1.812 [46.02]	1.375-0.1P-0.2L-DS	1.562 [39.67]	.980 [24.89]	5.00 [127.00]
10	20	1.000 [25.40]	.875 [22.22]	1.250-18 NEF	4.896 [124.36]	2.125 [53.97]	1.375-0.1P-0.2L-DS	1.562 [39.67]	.980 [24.89]	5.00 [127.00]
11	20	.900 [22.86]	.787 [19.99]	1.250-18 NEF	4.647 [118.03]	1.812 [46.02]	1.375-0.1P-0.2L-DS	1.562 [39.67]	.980 [24.89]	5.00 [127.00]
12	20	1.055 [26.80]	.930 [23.62]	1.250-18 NEF	4.896 [124.36]	2.125 [53.97]	1.375-0.1P-0.2L-DS	1.562 [39.67]	.980 [24.89]	5.00 [127.00]
13	22	1.000 [25.40]	.875 [22.22]	1.375-18 NEF	4.896 [124.36]	2.125 [53.97]	1.500-0.1P-0.2L-DS	1.688 [42.88]	.980 [24.89]	6.00 [152.40]
14	22	1.109 [28.17]	.984 [24.99]	1.375-18 NEF	4.896 [124.36]	2.125 [53.97]	1.500-0.1P-0.2L-DS	1.688 [42.88]	.980 [24.89]	6.00 [152.40]
15	24	1.180 [29.97]	1.055 [26.80]	1.625-18 UNEF	4.959 [125.96]	2.469 [62.71]	1.750-0.1P-0.2L-DS	1.938 [49.23]	.980 [24.89]	6.00 [152.40]
16	24	1.310 [33.27]	1.185 [30.10]	1.625-18 UNEF	4.959 [125.96]	2.469 [62.71]	1.750-0.1P-0.2L-DS	1.938 [49.23]	.980 [24.89]	6.00 [152.40]
17	24	1.230 [31.24]	1.105 [28.07]	1.625-18 UNEF	4.959 [125.96]	2.469 [62.71]	1.750-0.1P-0.2L-DS	1.938 [49.23]	.980 [24.89]	6.00 [152.40]
18	24	1.375 [34.92]	1.250 [31.75]	1.625-18 UNEF	4.959 [125.96]	2.625 [66.67]	1.750-0.1P-0.2L-DS	1.938 [49.23]	.980 [24.89]	6.00 [152.40]
19	28	1.445 [36.70]	1.320 [33.53]	1.875-16 UN	5.021 [127.53]	2.625 [66.67]	2.000-0.1P-0.2L-DS	2.219 [56.36]	.980 [24.89]	6.00 [152.40]
20	28	1.531 [38.89]	1.406 [35.71]	1.875-16 UN	5.021 [127.53]	2.625 [66.67]	2.000-0.1P-0.2L-DS	2.219 [56.36]	.980 [24.89]	6.00 [152.40]
21	28	1.375 [34.92]	1.250 [31.75]	1.875-16 UN	5.021 [127.53]	2.625 [66.67]	2.000-0.1P-0.2L-DS	2.219 [56.36]	.980 [24.89]	6.00 [152.40]
22	32	1.656 [42.06]	1.531 [38.89]	2.062-16 UNS	5.083 [129.11]	2.953 [75.01]	2.250-0.1P-0.2L-DS	2.469 [62.71]	.980 [24.89]	6.00 [152.40]
23	32	1.828 [46.43]	1.700 [43.18]	2.062-16 UNS	5.385 [136.78]	3.171 [80.54]	2.250-0.1P-0.2L-DS	2.469 [62.71]	.980 [24.89]	6.00 [152.40]
24	32	1.562 [39.67]	1.437 [36.50]	2.062-16 UNS	5.083 [129.11]	2.953 [75.01]	2.250-0.1P-0.2L-DS	2.469 [62.71]	.980 [24.89]	6.00 [152.40]
25	32	1.730 [43.94]	1.605 [40.77]	2.062-16 UNS	5.385 [136.78]	3.171 [80.54]	2.250-0.1P-0.2L-DS	2.469 [62.71]	.980 [24.89]	6.00 [152.40]
26	36	1.900 [48.26]	1.775 [45.08]	2.312-16 UNS	5.354 [135.99]	3.171 [80.54]	2.500-0.1P-0.2L-DS	2.719 [69.06]	.980 [24.89]	6.00 [152.40]
27	36	1.730 [43.94]	1.605 [40.77]	2.312-16 UNS	5.354 [135.99]	3.171 [80.54]	2.500-0.1P-0.2L-DS	2.719 [69.06]	.980 [24.89]	6.00 [152.40]
28	36	1.825 [46.35]	1.700 [43.18]	2.312-16 UNS	5.354 [135.99]	3.171 [80.54]	2.500-0.1P-0.2L-DS	2.719 [69.06]	.980 [24.89]	6.00 [152.40]
29	36	1.984 [50.39]	1.859 [47.22]	2.312-16 UNS	5.354 [135.99]	3.171 [80.54]	2.500-0.1P-0.2L-DS	2.719 [69.06]	.980 [24.89]	6.00 [152.40]
30	36	2.062 [52.37]	1.917 [48.69]	2.312-16 UNS	5.385 [136.78]	3.375 [85.72]	2.500-0.1P-0.2L-DS	2.719 [69.06]	.980 [24.89]	6.00 [152.40]
31	40	2.375 [60.32]	2.230 [56.64]	2.625-16 UN	5.682 [144.32]	3.625 [92.07]	2.750-0.1P-0.2L-DS	2.969 [75.41]	.980 [24.89]	6.00 [152.40]
32	40	2.250 [57.15]	2.105 [53.47]	2.625-16 UN	5.682 [144.32]	3.500 [88.90]	2.750-0.1P-0.2L-DS	2.969 [75.41]	.980 [24.89]	6.00 [152.40]
33	40	2.145 [54.48]	2.000 [50.80]	2.625-16 UN	5.620 [142.75]	3.375 [85.72]	2.750-0.1P-0.2L-DS	2.969 [75.41]	.980 [24.89]	6.00 [152.40]
34	40	2.062 [52.37]	1.917 [48.69]	2.625-16 UN	5.620 [142.75]	3.375 [85.72]	2.750-0.1P-0.2L-DS	2.969 [75.41]	.980 [24.89]	6.00 [152.40]
35	44	2.328 [59.13]	2.183 [55.45]	2.875-16 UN	6.471 [164.36]	3.531 [89.69]	3.000-0.1P-0.2L-DS	3.217 [81.71]	.980 [24.89]	6.00 [152.40]

Dimensions in brackets [] are in millimeters.

† Applies to M85049/4, not to MS17342.

5L



M85049/4*A2

STEP-UP ADAPTER WITH CABLE CLAMP

SUPERSEDES MS17342*A2

B049AK4*A2

FOR MIL-DTL-22992 CLASS C & R

Military — **M85049/4** A 2 A 2
 — **MS17342** N 2 A 2
 Spacecraft — **B049AK4** A 2 A 2

SPECIFICATION DESIGNATOR

FINISH/MATERIAL

MS17340	M85049	B049AK	FINISH
C	-	-	Cadmium, olive drab
N	A	A	Hard anodize
-	W	W	Cadmium, olive drab over suitable underplate 1000 hr. salt spray
-	X	X	Aluminum, nickel fluorocarbon polymer (RoHS compliant)
-	Y	Y	Aluminum, pure dense electrodeposited aluminum (RoHS compliant)
-	Z	Z	Aluminum, zinc nickel, black (RoHS compliant)

STYLE

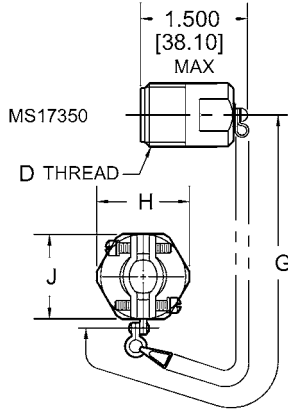
Style 1 adapters are for use with class R and C connectors.
 Style 2 adapters are for use with class R, C and J connectors.
 Styles 1 and 2 adapters are for use with connectors MS17343, MS17344, MS17345 and MS17347.
 Style 3 applies only to M85049/4.

TYPE

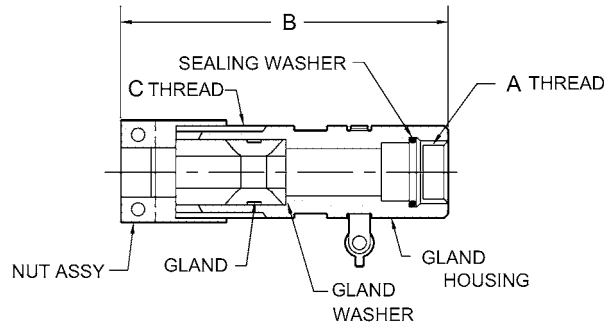
A For use with MS17344.
B For use with MS17343, MS17345 and MS17347.

ADAPTER SIZE

See Dimension Table below.



MATERIAL: Aluminum Alloy



ADAPT. SIZE NO.	SIZE	CABLE RANGE		A THREAD CLASS 2B/LH	B MAX.	C GLAND THREADS CLASS 2/LH	D THREAD CLASS 2A/B	ØE MAX.	F MAX.	G WITHIN ONE LINK	H MAX.	J ±.005 [±0.13]
		MAX.	MIN.									
1	12	.521 [13.23]	.321 [8.15]	.750-20 UNEF	4.000 [101.60]	1.062-18 UNEF	.875-0.1P-0.2L-DS	1.094 [27.79]	.765 [19.43]	5.00 [127.00]	1.320 [33.53]	1.219 [30.96]
2	14	.646 [16.41]	.446 [11.33]	.875-20 UNEF	4.100 [104.14]	1.187-18 NEF	1.000-0.1P-0.2L-DS	1.219 [30.96]	.765 [19.43]	5.00 [127.00]	1.420 [36.07]	1.344 [34.14]
3	16	.765 [19.43]	.565 [14.35]	1.000-20 UNEF	4.800 [121.92]	1.312-18 NEF	1.125-0.1P-0.2L-DS	1.344 [34.14]	.980 [24.89]	5.00 [127.00]	1.600 [40.64]	1.469 [37.31]
4	18	.890 [22.61]	.690 [17.53]	1.125-18 NEF	4.900 [124.46]	1.437-18 NEF	1.250-0.1P-0.2L-DS	1.469 [37.31]	.980 [24.89]	5.00 [127.00]	1.750 [44.45]	1.625 [41.27]
5	20	1.015 [25.78]	.815 [20.70]	1.250-18 NEF	4.900 [124.46]	1.562-18 NEF	1.375-0.1P-0.2L-DS	1.562 [39.67]	.980 [24.89]	5.00 [127.00]	1.900 [48.26]	1.750 [44.45]
6	22	1.180 [29.97]	.980 [24.89]	1.375-18 NEF	4.900 [124.46]	1.812-16 N	1.500-0.1P-0.2L-DS	1.688 [42.88]	.980 [24.89]	6.00 [152.40]	2.190 [55.63]	2.000 [50.80]
7	24	1.430 [36.32]	1.230 [31.24]	1.625-18 NEF	5.000 [127.00]	2.062-16 N	1.750-0.1P-0.2L-DS	1.938 [49.23]	.980 [24.89]	6.00 [152.40]	2.475 [62.86]	2.250 [57.15]
8	24	1.230 [31.24]	1.030 [26.16]	1.625-18 NEF	5.000 [127.00]	2.062-16 N	1.750-0.1P-0.2L-DS	1.938 [49.23]	.980 [24.89]	6.00 [152.40]	2.475 [62.86]	2.250 [57.15]
9	28	1.670 [42.42]	1.430 [36.32]	1.875-16 UN	5.300 [134.62]	2.312-16 UN	2.000-0.1P-0.2L-DS	2.219 [56.36]	.980 [24.89]	6.00 [152.40]	2.715 [68.96]	2.500 [63.50]
10	32	1.860 [47.24]	1.660 [42.16]	2.062-16 N	5.600 [142.24]	2.500-16 UN	2.250-0.1P-0.2L-DS	2.469 [62.71]	.980 [24.89]	6.00 [152.40]	2.900 [73.66]	2.750 [69.85]
11	36	2.110 [53.59]	1.860 [47.24]	2.312-16 N	5.725 [145.41]	2.875-16 UN	2.500-0.1P-0.2L-DS	2.719 [69.06]	.980 [24.89]	6.00 [152.40]	3.250 [82.55]	3.062 [77.77]
12	40	2.400 [60.96]	2.200 [55.88]	2.625-16 UN	5.725 [145.41]	3.125-16 UN	2.750-0.1P-0.2L-DS	2.969 [75.41]	.980 [24.89]	6.00 [152.40]	3.625 [92.07]	3.437 [87.30]
13	40	2.200 [55.88]	2.000 [50.80]	2.625-16 UN	5.725 [145.41]	3.125-16 UN	2.750-0.1P-0.2L-DS	2.969 [75.41]	.980 [24.89]	6.00 [152.40]	3.625 [92.07]	3.437 [87.30]

Dimensions in brackets [] are in millimeters.



M85049/4*A3

STEP-UP ADAPTER WITH STRAIN RELIEF

SUPERSEDES MS90569*A

B049AK4*A3

FOR MIL-DTL-22992 CLASS C & R

Military — **M85049/4** A 2 A 3
 MS90569 N 2 A
 Spacecraft — **B049AK4** A 2 A 3

SPECIFICATION DESIGNATOR

FINISH/MATERIAL

MS17340	M85049	B049AK	FINISH
C	-	-	Cadmium, olive drab
N	A	A	Hard anodize
-	W	W	Cadmium, olive drab over suitable underplate 1000 hr. salt spray
-	X	X	Aluminum, nickel fluorocarbon polymer (RoHS compliant)
-	Y	Y	Aluminum, pure dense electrodeposited aluminum (RoHS compliant)
-	Z	Z	Aluminum, zinc nickel, black (RoHS compliant)

STYLE

(M85049/4 Only.)

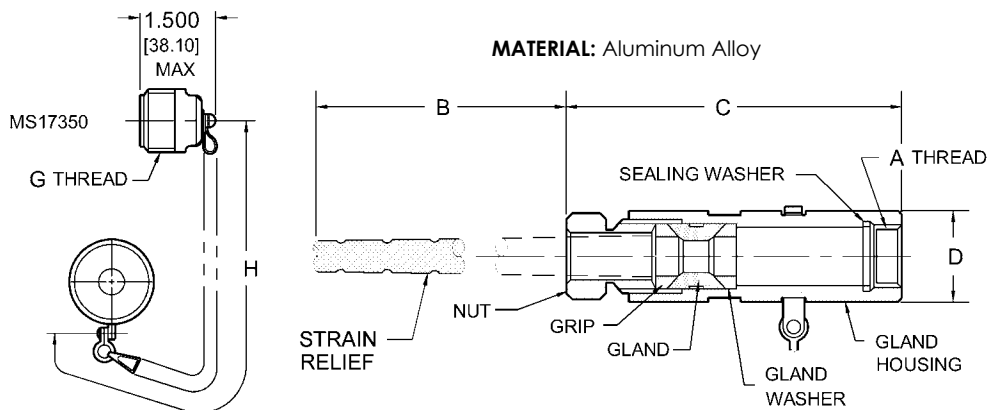
TYPE

A For use with MS17344.

B For use with MS17343, MS17345 and MS17347.

ADAPTER SIZE

See Dimension Table below.



MATERIAL: Aluminum Alloy

ADAPT SIZE NO.	SIZE	CABLE RANGE		A THREAD CLASS 2B-LH	B APPROX. FREE LENGTH	C MAX.	ØD +.010 -0.020 [+0.25 -0.51]	ØE MAX.	F MAX.	G THREAD (PLATED) CLASS 2 (A OR B)	H WITHIN ONE LINK
		MAX.	MIN.								
1	12	.530 [13.46]	.436 [11.07]	.7500-20 UNEF	4.688 [119.08]	3.810 [96.77]	.938 [23.83]	1.094 [27.79]	.765 [19.43]	.875-01P-0.2L-DS	5.00 [127.00]
2	12	.500 [12.70]	.406 [10.31]	.7500-20 UNEF	4.344 [110.34]	3.248 [82.50]	.938 [23.83]	1.094 [27.79]	.765 [19.43]	.875-01P-0.2L-DS	5.00 [127.00]
3	12	.405 [10.29]	.316 [8.03]	.7500-20 UNEF	3.688 [93.68]	3.810 [96.77]	.938 [23.83]	1.094 [27.79]	.765 [19.43]	.875-01P-0.2L-DS	5.00 [127.00]
4	14	.625 [15.87]	.560 [14.22]	.8750-20 UNEF	6.188 [157.18]	4.024 [102.21]	1.062 [26.97]	1.219 [30.96]	.765 [19.43]	1.000-01P-0.2L-DS	5.00 [127.00]
5	14	.605 [15.37]	.511 [12.98]	.8750-20 UNEF	5.188 [131.78]	3.712 [94.28]	1.062 [26.97]	1.219 [30.96]	.765 [19.43]	1.000-01P-0.2L-DS	5.00 [127.00]
6	14	.530 [13.46]	.436 [11.07]	.8750-20 UNEF	4.688 [119.08]	3.712 [94.28]	1.062 [26.97]	1.219 [30.96]	.765 [19.43]	1.000-01P-0.2L-DS	5.00 [127.00]
7	14	.405 [10.29]	.316 [8.03]	.8750-20 UNEF	3.688 [93.68]	3.712 [94.28]	1.062 [26.97]	1.219 [30.96]	.765 [19.43]	1.000-01P-0.2L-DS	5.00 [127.00]
8	18	.828 [21.03]	.715 [18.16]	1.1250-18 UNEF	6.688 [169.88]	4.087 [103.81]	1.312 [33.32]	1.469 [37.31]	.980 [24.89]	1.250-01P-0.2L-DS	5.00 [127.00]
9	20	1.055 [26.80]	.930 [23.62]	1.2500-18 UNEF	7.688 [195.28]	4.212 [106.98]	1.438 [36.53]	1.562 [39.67]	.980 [24.89]	1.375-01P-0.2L-DS	5.00 [127.00]
10	20	1.000 [25.40]	.875 [22.22]	1.2500-18 UNEF	7.188 [182.58]	4.212 [106.98]	1.438 [36.53]	1.562 [39.67]	.980 [24.89]	1.375-01P-0.2L-DS	5.00 [127.00]
11	20	.900 [22.86]	.787 [19.99]	1.2500-18 UNEF	7.188 [182.58]	4.150 [105.41]	1.438 [36.53]	1.562 [39.67]	.980 [24.89]	1.375-01P-0.2L-DS	5.00 [127.00]
12	20	.750 [19.05]	.637 [16.18]	1.2500-18 UNEF	6.688 [169.88]	4.150 [105.41]	1.438 [36.53]	1.562 [39.67]	.980 [24.89]	1.375-01P-0.2L-DS	5.00 [127.00]

Dimensions in brackets [] are in millimeters.

CONTINUED ON NEXT PAGE

M85049/4*A3

STEP-UP ADAPTER WITH STRAIN RELIEF

SUPERSEDES MS90569*A

B049AK4*A3

CONTINUED FROM PREVIOUS PAGE

ADAPT SIZE NO.	SIZE	CABLE RANGE		A THREAD CLASS 2B-LH	B APPROX. FREE LENGTH	C MAX.	ØD +0.010 -0.020 [+0.25 -0.51]	ØE MAX.	F MAX.	G THREAD (PLATED) CLASS 2 (A OR B)	H WITHIN ONE LINK
		MAX.	MIN.								
13	22	1.109 [28.17]	.984 [24.99]	1.375-18 UNEF	7.688 [195.28]	4.212 [106.98]	1.562 [39.67]	1.688 [42.88]	.980 [24.89]	1.500-01P-0.2L-DS	6.00 [152.40]
14	22	1.000 [25.40]	.875 [22.22]	1.375-18 UNEF	7.188 [182.58]	4.212 [106.98]	1.562 [39.67]	1.688 [42.88]	.980 [24.89]	1.500-01P-0.2L-DS	6.00 [152.40]
15	24	1.375 [34.92]	1.250 [31.75]	1.625-18 UNEF	9.688 [246.08]	4.275 [108.58]	1.812 [46.02]	1.938 [49.23]	.980 [24.89]	1.750-01P-0.2L-DS	6.00 [152.40]
16	24	1.310 [33.27]	1.185 [30.10]	1.625-18 UNEF	8.688 [220.68]	4.275 [108.58]	1.812 [46.02]	1.938 [49.23]	.980 [24.89]	1.750-01P-0.2L-DS	6.00 [152.40]
17	24	1.230 [31.24]	1.105 [28.07]	1.625-18 UNEF	8.188 [207.98]	4.275 [108.58]	1.812 [46.02]	1.938 [49.23]	.980 [24.89]	1.750-01P-0.2L-DS	6.00 [152.40]
18	24	1.180 [29.97]	1.055 [26.80]	1.625-18 UNEF	8.188 [207.98]	4.275 [108.58]	1.812 [46.02]	1.938 [49.23]	.980 [24.89]	1.750-01P-0.2L-DS	6.00 [152.40]
19	28	1.531 [38.89]	1.406 [35.71]	1.875-16 UN	10.688 [271.48]	4.377 [111.18]	2.062 [52.37]	2.219 [56.36]	.980 [24.89]	2.000-01P-0.2L-DS	6.00 [152.40]
20	28	1.445 [36.70]	1.320 [33.53]	1.875-16 UN	9.688 [246.08]	4.337 [110.16]	2.062 [52.37]	2.219 [56.36]	.980 [24.89]	2.000-01P-0.2L-DS	6.00 [152.40]
21	28	1.375 [34.92]	1.250 [31.75]	1.875-16 UN	9.688 [246.08]	4.337 [110.16]	2.062 [52.37]	2.219 [56.36]	.980 [24.89]	2.000-01P-0.2L-DS	6.00 [152.40]
22	32	1.825 [46.35]	1.700 [43.18]	2.062-16 UNS	13.688 [347.68]	4.704 [119.48]	2.312 [58.72]	2.469 [62.71]	.980 [24.89]	2.250-01P-0.2L-DS	6.00 [152.40]
23	32	1.730 [43.94]	1.605 [40.77]	2.062-16 UNS	13.688 [347.68]	4.704 [119.48]	2.312 [58.72]	2.469 [62.71]	.980 [24.89]	2.250-01P-0.2L-DS	6.00 [152.40]
24	32	1.656 [42.06]	1.531 [38.89]	2.062-16 UNS	12.688 [322.28]	4.399 [111.73]	2.312 [58.72]	2.469 [62.71]	.980 [24.89]	2.250-01P-0.2L-DS	6.00 [152.40]
25	36	2.062 [52.37]	1.917 [48.69]	2.312-16 UNS	14.188 [360.38]	4.704 [119.48]	2.562 [65.07]	2.719 [69.06]	.980 [24.89]	2.500-01P-0.2L-DS	6.00 [152.40]
26	36	1.984 [50.39]	1.859 [47.22]	2.312-16 UNS	13.688 [347.68]	4.673 [118.69]	2.562 [65.07]	2.719 [69.06]	.980 [24.89]	2.500-01P-0.2L-DS	6.00 [152.40]
27	36	1.900 [48.26]	1.775 [45.08]	2.132-16 UNS	13.688 [347.68]	4.673 [118.69]	2.562 [65.07]	2.719 [69.06]	.980 [24.89]	2.500-01P-0.2L-DS	6.00 [152.40]
28	36	1.825 [46.35]	1.700 [43.18]	2.312-16 UNS	13.688 [347.68]	4.673 [118.69]	2.562 [65.07]	2.719 [69.06]	.980 [24.89]	2.500-01P-0.2L-DS	6.00 [152.40]
29	36	1.730 [43.94]	1.605 [40.77]	2.312-16 UNS	13.688 [347.68]	4.673 [118.69]	2.562 [65.07]	2.719 [69.06]	.980 [24.89]	2.500-01P-0.2L-DS	6.00 [152.40]
30	40	2.375 [60.32]	2.230 [56.64]	2.625-16 UN	18.188 [461.98]	5.000 [127.00]	2.875 [73.02]	2.969 [75.41]	.980 [24.89]	2.750-01P-0.2L-DS	6.00 [152.40]
31	40	2.250 [57.15]	2.105 [53.47]	2.625-16 UN	17.188 [436.58]	5.000 [127.00]	2.875 [73.02]	2.969 [75.41]	.980 [24.89]	2.750-01P-0.2L-DS	6.00 [152.40]
32	40	2.145 [54.48]	2.000 [50.80]	2.625-16 UN	14.188 [360.38]	4.939 [125.45]	2.875 [73.02]	2.969 [75.41]	.980 [24.89]	2.750-01P-0.2L-DS	6.00 [152.40]
33	40	2.062 [52.37]	1.917 [48.69]	2.625-16 UN	14.188 [360.38]	4.939 [125.45]	2.875 [73.02]	2.969 [75.41]	.980 [24.89]	2.750-01P-0.2L-DS	6.00 [152.40]

Dimensions in brackets [] are in millimeters.



M85049/4*B1

STEP-UP ADAPTER WITH CABLE CLAMP

SUPERSEDES MS17342*B1

B049AK4*B1

FOR MIL-DTL-22992 CLASS C & R

Military — **M85049/4** **A 2 B 1**
MS17342 **N 2 B 1**
 Spacecraft — **B049AK4** **A 2 B 1**

SPECIFICATION DESIGNATOR

FINISH/MATERIAL

MS17340	M85049	B049AK	FINISH
C	-	-	Cadmium, olive drab
N	A	A	Hard anodize
-	W	W	Cadmium, olive drab over suitable underplate 1000 hr. salt spray
-	X	X	Aluminum, nickel fluorocarbon polymer (RoHS compliant)
-	Y	Y	Aluminum, pure dense electrodeposited aluminum (RoHS compliant)
-	Z	Z	Aluminum, zinc nickel, black (RoHS compliant)

ADAPTER SIZE

See Dimension Table below.

STYLE

Style 1 adapters are for use with class R and C connectors.

Style 2 adapters are for use with class R, C and J connectors.

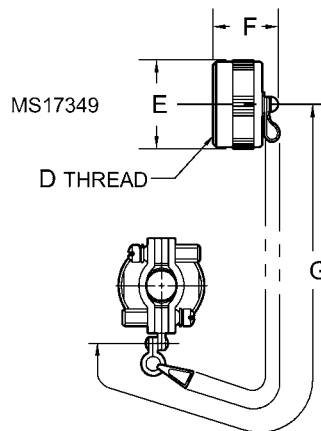
Styles 1 and 2 adapters are for use with connectors MS17343, MS17344, MS17345 and MS17347.

Style 3 applies only to M85049/4.

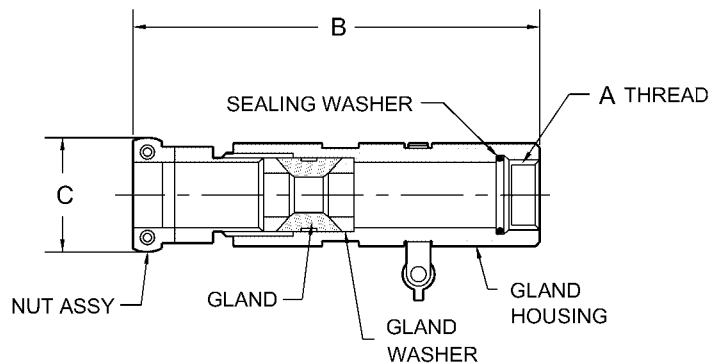
TYPE

A For use with MS17344.

B For use with MS17343, MS17345 and MS17347.



MATERIAL: Aluminum Alloy



ADAPT. SIZE NO.	SIZE	CABLE RANGE		A THREAD CLASS 2B-1H	B MAX.	C ±.031 [±0.79]	D THREAD CLASS 2 (A OR B)	ØE MAX.	F MAX.	G WITHIN ONE LINK
		MAX.	MIN.							
1	12	.530 [13.46]	.436 [11.07]	.750-20 UNEF	4.275 [108.58]	1.375 [34.92]	.875-0.1P-0.2L-DS	1.094 [27.79]	.765 [19.43]	5.00 [127.00]
2	12	.500 [12.70]	.406 [10.31]	.750-20 UNEF	3.678 [93.42]	1.125 [28.57]	.875-0.1P-0.2L-DS	1.094 [27.79]	.765 [19.43]	5.00 [127.00]
3	12	.405 [10.29]	.311 [7.90]	.750-20 UNEF	4.275 [108.58]	1.375 [34.92]	.875-0.1P-0.2L-DS	1.094 [27.79]	.765 [19.43]	5.00 [127.00]
4	14	.605 [15.37]	.511 [12.98]	.875-20 UNEF	4.177 [106.10]	1.375 [34.92]	1.000-0.1P-0.2L-DS	1.219 [30.96]	.765 [19.43]	5.00 [127.00]
5	14	.625 [15.87]	.531 [13.49]	.875-20 UNEF	4.489 [114.02]	1.562 [39.67]	1.000-0.1P-0.2L-DS	1.219 [30.96]	.765 [19.43]	5.00 [127.00]
6	14	.530 [13.46]	.436 [11.07]	.875-20 UNEF	4.177 [106.10]	1.375 [34.92]	1.000-0.1P-0.2L-DS	1.219 [30.96]	.765 [19.43]	5.00 [127.00]
7	14	.405 [10.29]	.311 [7.90]	.875-20 UNEF	4.177 [106.10]	1.375 [34.92]	1.000-0.1P-0.2L-DS	1.219 [30.96]	.765 [19.43]	5.00 [127.00]
8	18	.828 [21.03]	.715 [18.16]	1.125-18 NEF	4.584 [116.43]	1.688 [42.88]	1.250-0.1P-0.2L-DS	1.469 [37.31]	.980 [24.89]	5.00 [127.00]
9	20	.750 [19.05]	.637 [16.18]	1.250-18 NEF	4.647 [118.03]	1.812 [46.02]	1.375-0.1P-0.2L-DS	1.562 [39.67]	.980 [24.89]	5.00 [127.00]
10	20	1.000 [25.40]	.875 [22.22]	1.250-18 NEF	4.896 [124.36]	2.125 [53.97]	1.375-0.1P-0.2L-DS	1.562 [39.67]	.980 [24.89]	5.00 [127.00]

Dimensions in brackets [] are in millimeters.

CONTINUED ON NEXT PAGE

M85049/4*B1

STEP-UP ADAPTER WITH CABLE CLAMP

SUPERSEDES MS17342*B1

B049AK4*B1

CONTINUED FROM PREVIOUS PAGE

ADAPT. SIZE NO.	SIZE	CABLE RANGE		A THREAD CLASS 2B-LH	B MAX.	C ±.031 [±0.79]	D THREAD CLASS 2 (A OR B)	ØE MAX.	F MAX.	G WITHIN ONE LINK
		MAX.	MIN.							
10	20	1.000 [25.40]	.875 [22.22]	1.250-18 NEF	4.896 [124.36]	2.125 [53.97]	1.375-0.1P-0.2L-DS	1.562 [39.67]	.980 [24.89]	5.00 [127.00]
11	20	.900 [22.86]	.787 [19.99]	1.250-18 NEF	4.647 [118.03]	1.812 [46.02]	1.375-0.1P-0.2L-DS	1.562 [39.67]	.980 [24.89]	5.00 [127.00]
12	20	1.055 [26.80]	.930 [23.62]	1.250-18 NEF	4.896 [124.36]	2.125 [53.97]	1.375-0.1P-0.2L-DS	1.562 [39.67]	.980 [24.89]	5.00 [127.00]
13	22	1.000 [25.40]	.875 [22.22]	1.375-18 NEF	4.896 [124.36]	2.125 [53.97]	1.500-0.1P-0.2L-DS	1.688 [42.88]	.980 [24.89]	6.00 [152.40]
14	22	1.109 [28.17]	.984 [24.99]	1.375-18 NEF	4.896 [124.36]	2.125 [53.97]	1.500-0.1P-0.2L-DS	1.688 [42.88]	.980 [24.89]	6.00 [152.40]
15	24	1.180 [29.97]	1.055 [26.80]	1.625-18 UNEF	4.959 [125.96]	2.469 [62.71]	1.750-0.1P-0.2L-DS	1.938 [49.23]	.980 [24.89]	6.00 [152.40]
16	24	1.310 [33.27]	1.185 [30.10]	1.625-18 UNEF	4.959 [125.96]	2.469 [62.71]	1.750-0.1P-0.2L-DS	1.938 [49.23]	.980 [24.89]	6.00 [152.40]
17	24	1.230 [31.24]	1.105 [28.07]	1.625-18 UNEF	4.959 [125.96]	2.469 [62.71]	1.750-0.1P-0.2L-DS	1.938 [49.23]	.980 [24.89]	6.00 [152.40]
18	24	1.375 [34.92]	1.250 [31.75]	1.625-18 UNEF	4.959 [125.96]	2.625 [66.67]	1.750-0.1P-0.2L-DS	1.938 [49.23]	.980 [24.89]	6.00 [152.40]
19	28	1.445 [36.70]	1.320 [33.53]	1.875-16 UN	5.021 [127.53]	2.625 [66.67]	2.000-0.1P-0.2L-DS	2.219 [56.36]	.980 [24.89]	6.00 [152.40]
20	28	1.531 [38.89]	1.406 [35.71]	1.875-16 UN	5.021 [127.53]	2.625 [66.67]	2.000-0.1P-0.2L-DS	2.219 [56.36]	.980 [24.89]	6.00 [152.40]
21	28	1.375 [34.92]	1.250 [31.75]	1.875-16 UN	5.021 [127.53]	2.625 [66.67]	2.000-0.1P-0.2L-DS	2.219 [56.36]	.980 [24.89]	6.00 [152.40]
22	32	1.656 [42.06]	1.531 [38.89]	2.062-16 UNS	5.083 [129.11]	2.953 [75.01]	2.250-0.1P-0.2L-DS	2.469 [62.71]	.980 [24.89]	6.00 [152.40]
23	32	1.828 [46.43]	1.700 [43.18]	2.062-16 UNS	5.385 [136.78]	3.171 [80.54]	2.250-0.1P-0.2L-DS	2.469 [62.71]	.980 [24.89]	6.00 [152.40]
24	32	1.562 [39.67]	1.437 [36.50]	2.062-16 UNS	5.083 [129.11]	2.953 [75.01]	2.250-0.1P-0.2L-DS	2.469 [62.71]	.980 [24.89]	6.00 [152.40]
25	32	1.730 [43.94]	1.605 [40.77]	2.062-16 UNS	5.385 [136.78]	3.171 [80.54]	2.250-0.1P-0.2L-DS	2.469 [62.71]	.980 [24.89]	6.00 [152.40]
26	36	1.900 [48.26]	1.775 [45.08]	2.312-16 UNS	5.354 [135.99]	3.171 [80.54]	2.500-0.1P-0.2L-DS	2.719 [69.06]	.980 [24.89]	6.00 [152.40]
27	36	1.730 [43.94]	1.605 [40.77]	2.312-16 UNS	5.354 [135.99]	3.171 [80.54]	2.500-0.1P-0.2L-DS	2.719 [69.06]	.980 [24.89]	6.00 [152.40]
28	36	1.825 [46.35]	1.700 [43.18]	2.312-16 UNS	5.354 [135.99]	3.171 [80.54]	2.500-0.1P-0.2L-DS	2.719 [69.06]	.980 [24.89]	6.00 [152.40]
29	36	1.984 [50.39]	1.859 [47.22]	2.312-16 UNS	5.354 [135.99]	3.171 [80.54]	2.500-0.1P-0.2L-DS	2.719 [69.06]	.980 [24.89]	6.00 [152.40]
30	36	2.062 [52.37]	1.917 [48.69]	2.312-16 UNS	5.385 [136.78]	3.375 [85.72]	2.500-0.1P-0.2L-DS	2.719 [69.06]	.980 [24.89]	6.00 [152.40]
31	40	2.375 [60.32]	2.230 [56.64]	2.625-16 UN	5.682 [144.32]	3.625 [92.07]	2.750-0.1P-0.2L-DS	2.969 [75.41]	.980 [24.89]	6.00 [152.40]
32	40	2.250 [57.15]	2.105 [53.47]	2.625-16 UN	5.682 [144.32]	3.500 [88.90]	2.750-0.1P-0.2L-DS	2.969 [75.41]	.980 [24.89]	6.00 [152.40]
33	40	2.145 [54.48]	2.000 [50.80]	2.625-16 UN	5.620 [142.75]	3.375 [85.72]	2.750-0.1P-0.2L-DS	2.969 [75.41]	.980 [24.89]	6.00 [152.40]
34	40	2.062 [52.37]	1.917 [48.69]	2.625-16 UN	5.620 [142.75]	3.375 [85.72]	2.750-0.1P-0.2L-DS	2.969 [75.41]	.980 [24.89]	6.00 [152.40]
35†	44	2.328 [59.13]	2.183 [55.45]	2.875-16 UN	6.471 [164.36]	3.531 [89.69]	3.000-0.1P-0.2L-DS	3.217 [81.71]	.980 [24.89]	6.00 [152.40]

Dimensions in brackets [] are in millimeters.

† Applies to M85049/4, not to MS17342.



M85049/4*B2

STEP-UP ADAPTER WITH CABLE CLAMP

SUPERSEDES MS17342*B2

B049AK4*B2

FOR MIL-DTL-22992 CLASS C & R

Military — **M85049/4** **A 2 B 2**
MS17342 **N 2 B 2**
 Spacecraft — **B049AK4** **A 2 B 2**

SPECIFICATION DESIGNATOR

FINISH/MATERIAL

MS17340	M85049	B049AK	FINISH
C	-	-	Cadmium, olive drab
N	A	A	Hard anodize
-	W	W	Cadmium, olive drab over suitable underplate 1000 hr. salt spray
-	X	X	Aluminum, nickel fluorocarbon polymer (RoHS compliant)
-	Y	Y	Aluminum, pure dense electrodeposited aluminum (RoHS compliant)
-	Z	Z	Aluminum, zinc nickel, black (RoHS compliant)

ADAPTER SIZE

See Dimension Table below.

STYLE

Style 1 adapters are for use with class R and C connectors.

Style 2 adapters are for use with class R, C and J connectors.

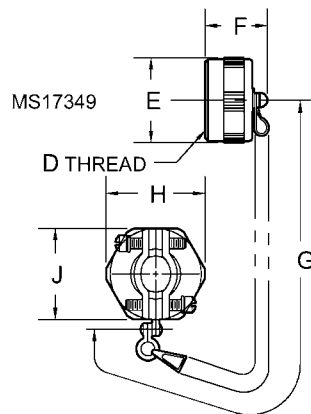
Styles 1 and 2 adapters are for use with connectors MS17343, MS17344, MS17345 and MS17347.

Style 3 applies only to M85049/4.

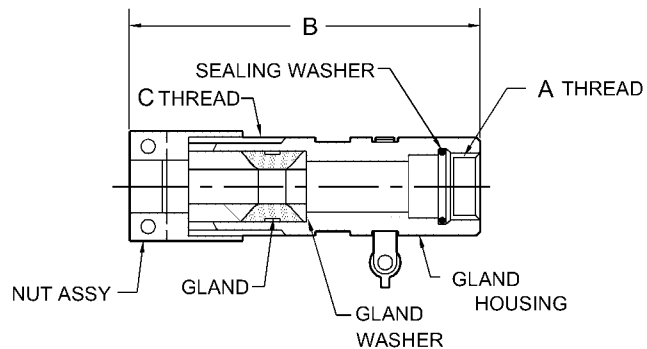
TYPE

A For use with MS17344.

B For use with MS17343, MS17345 and MS17347.



MATERIAL: Aluminum Alloy



ADAPT. SIZE NO.	SIZE	CABLE RANGE		A THREAD CLASS 2B-LH	B MAX.	C GLAND THREADS CLASS 2-LH	D THREAD CLASS 2A/B	ØE MAX.	F MAX.	G WITHIN ONE LINK	H MAX.	J ±.005 [±0.13]
		MAX.	MIN.									
1	12	.521 [13.23]	.321 [8.15]	.750-20 UNEF	4.000 [101.60]	1.062-18 UNEF	.875-0.1P-0.2L-DS	1.094 [27.79]	.765 [19.43]	5.00 [127.00]	1.320 [33.53]	1.219 [30.96]
2	14	.646 [16.41]	.446 [11.33]	.875-20 UNEF	4.100 [104.14]	1.187-18 NEF	1.000-0.1P-0.2L-DS	1.219 [30.96]	.765 [19.43]	5.00 [127.00]	1.420 [36.07]	1.344 [34.14]
3	16	.765 [19.43]	.565 [14.35]	1.000-20 UNEF	4.800 [121.92]	1.312-18 NEF	1.125-0.1P-0.2L-DS	1.344 [34.14]	.980 [24.89]	5.00 [127.00]	1.600 [40.64]	1.469 [37.31]
4	18	.890 [22.61]	.690 [17.53]	1.125-18 NEF	4.900 [124.46]	1.437-18 NEF	1.250-0.1P-0.2L-DS	1.469 [37.31]	.980 [24.89]	5.00 [127.00]	1.750 [44.45]	1.625 [41.27]
5	20	1.015 [25.78]	.815 [20.70]	1.250-18 NEF	4.900 [124.46]	1.562-18 NEF	1.375-0.1P-0.2L-DS	1.562 [39.67]	.980 [24.89]	5.00 [127.00]	1.900 [48.26]	1.750 [44.45]
6	22	1.180 [29.97]	.980 [24.89]	1.375-18 NEF	4.900 [124.46]	1.812-16 N	1.500-0.1P-0.2L-DS	1.688 [42.88]	.980 [24.89]	6.00 [152.40]	2.190 [55.63]	2.000 [50.80]
7	24	1.430 [36.32]	1.230 [31.24]	1.625-18 NEF	5.000 [127.00]	2.062-16 N	1.750-0.1P-0.2L-DS	1.938 [49.23]	.980 [24.89]	6.00 [152.40]	2.475 [62.86]	2.250 [57.15]
8	24	1.230 [31.24]	1.030 [26.16]	1.625-18 NEF	5.000 [127.00]	2.062-16 N	1.750-0.1P-0.2L-DS	1.938 [49.23]	.980 [24.89]	6.00 [152.40]	2.475 [62.86]	2.250 [57.15]
9	28	1.670 [42.42]	1.430 [36.32]	1.875-16 UN	5.300 [134.62]	2.312-16 UN	2.000-0.1P-0.2L-DS	2.219 [56.36]	.980 [24.89]	6.00 [152.40]	2.715 [68.96]	2.500 [63.50]
10	32	1.860 [47.24]	1.660 [42.16]	2.062-16 N	5.600 [142.24]	2.500-16 UN	2.250-0.1P-0.2L-DS	2.469 [62.71]	.980 [24.89]	6.00 [152.40]	2.900 [73.66]	2.750 [69.85]
11	36	2.110 [53.59]	1.860 [47.24]	2.312-16 N	5.725 [145.41]	2.875-16 UN	2.500-0.1P-0.2L-DS	2.719 [69.06]	.980 [24.89]	6.00 [152.40]	3.250 [82.55]	3.062 [77.77]

Dimensions in brackets [] are in millimeters.

M85049/4*B3

STEP-UP ADAPTER WITH STRAIN RELIEF

SUPERSEDES MS90569*B

B049AK4*B3

FOR MIL-DTL-22992 CLASS C & R

Military — **M85049/4** A 2 B 3
 — **MS90569** N 2 B
 Spacecraft — **B049AK4** A 2 B 3

SPECIFICATION DESIGNATOR

FINISH/MATERIAL

MS17340	M85049	B049AK	FINISH
C	-	-	Cadmium, olive drab
N	A	A	Hard anodize
-	W	W	Cadmium, olive drab over suitable underplate 1000 hr. salt spray
-	X	X	Aluminum, nickel fluorocarbon polymer (RoHS compliant)
-	Y	Y	Aluminum, pure dense electrodeposited aluminum (RoHS compliant)
-	Z	Z	Aluminum, zinc nickel, black (RoHS compliant)

STYLE

(M85049/4 Only.)

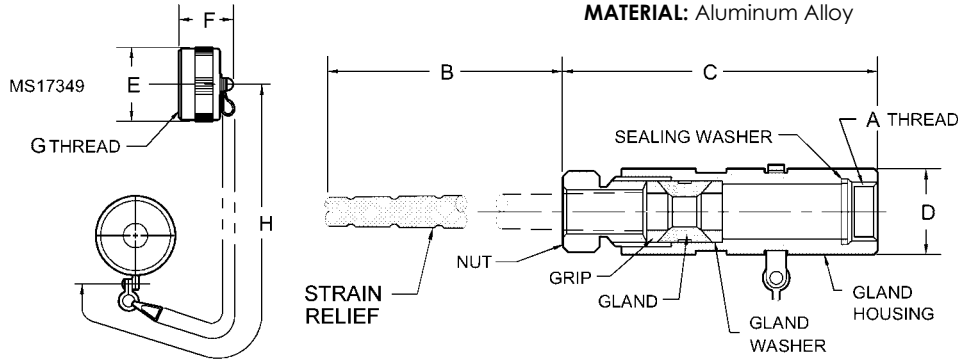
TYPE

A For use with MS17344.

B For use with MS17343, MS17345 and MS17347.

ADAPTER SIZE

See Dimension Table below.



ADAPT SIZE NO.	SIZE	CABLE RANGE		A THREAD CLASS 2B-LH	B APPROX. FREE LENGTH	C MAX.	ØD +.010 -0.020 [+0.25 -0.51]	ØE MAX.	F MAX.	G THREAD (PLATED) CLASS 2 (A OR B)	H WITHIN ONE LINK
		MAX.	MIN.								
1	12	.530 [13.46]	.436 [11.07]	.7500-20 UNEF	4.688 [119.08]	3.810 [96.77]	.938 [23.83]	1.094 [27.79]	.765 [19.43]	.875-01P-0.2L-DS	5.00 [127.00]
2	12	.500 [12.70]	.406 [10.31]	.7500-20 UNEF	4.344 [110.34]	3.248 [82.50]	.938 [23.83]	1.094 [27.79]	.765 [19.43]	.875-01P-0.2L-DS	5.00 [127.00]
3	12	.405 [10.29]	.316 [8.03]	.7500-20 UNEF	3.688 [93.68]	3.810 [96.77]	.938 [23.83]	1.094 [27.79]	.765 [19.43]	.875-01P-0.2L-DS	5.00 [127.00]
4	14	.625 [15.87]	.560 [14.22]	.8750-20 UNEF	6.188 [157.18]	4.024 [102.21]	1.062 [26.97]	1.219 [30.96]	.765 [19.43]	1.000-01P-0.2L-DS	5.00 [127.00]
5	14	.605 [15.37]	.511 [12.98]	.8750-20 UNEF	5.188 [131.78]	3.712 [94.28]	1.062 [26.97]	1.219 [30.96]	.765 [19.43]	1.000-01P-0.2L-DS	5.00 [127.00]
6	14	.530 [13.46]	.436 [11.07]	.8750-20 UNEF	4.688 [119.08]	3.712 [94.28]	1.062 [26.97]	1.219 [30.96]	.765 [19.43]	1.000-01P-0.2L-DS	5.00 [127.00]
7	14	.405 [10.29]	.316 [8.03]	.8750-20 UNEF	3.688 [93.68]	3.712 [94.28]	1.062 [26.97]	1.219 [30.96]	.765 [19.43]	1.000-01P-0.2L-DS	5.00 [127.00]
8	18	.828 [21.03]	.715 [18.16]	1.1250-18 UNEF	6.688 [169.88]	4.087 [103.81]	1.312 [33.32]	1.469 [37.31]	.980 [24.89]	1.250-01P-0.2L-DS	5.00 [127.00]
9	20	1.055 [26.80]	.930 [23.62]	1.2500-18 UNEF	7.688 [195.28]	4.212 [106.98]	1.438 [36.53]	1.562 [39.67]	.980 [24.89]	1.375-01P-0.2L-DS	5.00 [127.00]
10	20	1.000 [25.40]	.875 [22.22]	1.2500-18 UNEF	7.188 [182.58]	4.212 [106.98]	1.438 [36.53]	1.562 [39.67]	.980 [24.89]	1.375-01P-0.2L-DS	5.00 [127.00]
11	20	.900 [22.86]	.787 [19.99]	1.2500-18 UNEF	7.188 [182.58]	4.150 [105.41]	1.438 [36.53]	1.562 [39.67]	.980 [24.89]	1.375-01P-0.2L-DS	5.00 [127.00]
12	20	.750 [19.05]	.637 [16.18]	1.2500-18 UNEF	6.688 [169.88]	4.150 [105.41]	1.438 [36.53]	1.562 [39.67]	.980 [24.89]	1.375-01P-0.2L-DS	5.00 [127.00]
13	22	1.109 [28.17]	.984 [24.99]	1.375-18 UNEF	7.688 [195.28]	4.212 [106.98]	1.562 [39.67]	1.688 [42.88]	.980 [24.89]	1.500-01P-0.2L-DS	6.00 [152.40]

Dimensions in brackets [] are in millimeters.



ADAPT SIZE NO.	SIZE	CABLE RANGE		A THREAD CLASS 2B-LH	B APPROX. FREE LENGTH	C MAX.	ØD +.010 -.020 [+0.25 -.051]	ØE MAX.	F MAX.	G THREAD (PLATED) CLASS 2 (A OR B)	H WITHIN ONE LINK
		MAX.	MIN.								
14	22	1.000 [25.40]	.875 [22.22]	1.375-18 UNEF	7.188 [182.58]	4.212 [106.98]	1.562 [39.67]	1.688 [42.88]	.980 [24.89]	1.500-01P-0.2L-DS	6.00 [152.40]
15	24	1.375 [34.92]	1.250 [31.75]	1.625-18 UNEF	9.688 [246.08]	4.275 [108.58]	1.812 [46.02]	1.938 [49.23]	.980 [24.89]	1.750-01P-0.2L-DS	6.00 [152.40]
16	24	1.310 [33.27]	1.185 [30.10]	1.625-18 UNEF	8.688 [220.68]	4.275 [108.58]	1.812 [46.02]	1.938 [49.23]	.980 [24.89]	1.750-01P-0.2L-DS	6.00 [152.40]
17	24	1.230 [31.24]	1.105 [28.07]	1.625-18 UNEF	8.188 [207.98]	4.275 [108.58]	1.812 [46.02]	1.938 [49.23]	.980 [24.89]	1.750-01P-0.2L-DS	6.00 [152.40]
18	24	1.180 [29.97]	1.055 [26.80]	1.625-18 UNEF	8.188 [207.98]	4.275 [108.58]	1.812 [46.02]	1.938 [49.23]	.980 [24.89]	1.750-01P-0.2L-DS	6.00 [152.40]
19	28	1.531 [38.89]	1.406 [35.71]	1.875-16 UN	10.688 [271.48]	4.377 [111.18]	2.062 [52.37]	2.219 [56.36]	.980 [24.89]	2.000-01P-0.2L-DS	6.00 [152.40]
20	28	1.445 [36.70]	1.320 [33.53]	1.875-16 UN	9.688 [246.08]	4.377 [111.18]	2.062 [52.37]	2.219 [56.36]	.980 [24.89]	2.000-01P-0.2L-DS	6.00 [152.40]
21	28	1.375 [34.92]	1.250 [31.75]	1.875-16 UN	9.688 [246.08]	4.337 [110.16]	2.062 [52.37]	2.219 [56.36]	.980 [24.89]	2.000-01P-0.2L-DS	6.00 [152.40]
22	32	1.825 [46.35]	1.700 [43.18]	2.062-16 UNS	13.688 [347.68]	4.704 [119.48]	2.312 [58.72]	2.469 [62.71]	.980 [24.89]	2.250-01P-0.2L-DS	6.00 [152.40]
23	32	1.730 [43.94]	1.605 [40.77]	2.062-16 UNS	13.688 [347.68]	4.704 [119.48]	2.312 [58.72]	2.469 [62.71]	.980 [24.89]	2.250-01P-0.2L-DS	6.00 [152.40]
24	32	1.656 [42.06]	1.531 [38.89]	2.062-16 UNS	12.688 [322.28]	4.399 [111.73]	2.312 [58.72]	2.469 [62.71]	.980 [24.89]	2.250-01P-0.2L-DS	6.00 [152.40]
25	36	2.062 [52.37]	1.917 [48.69]	2.312-16 UNS	14.188 [360.38]	4.704 [119.48]	2.562 [65.07]	2.719 [69.06]	.980 [24.89]	2.500-01P-0.2L-DS	6.00 [152.40]
26	36	1.984 [50.39]	1.859 [47.22]	2.312-16 UNS	13.688 [347.68]	4.673 [118.69]	2.562 [65.07]	2.719 [69.06]	.980 [24.89]	2.500-01P-0.2L-DS	6.00 [152.40]
27	36	1.900 [48.26]	1.775 [45.08]	2.132-16 UNS	13.688 [347.68]	4.673 [118.69]	2.562 [65.07]	2.719 [69.06]	.980 [24.89]	2.500-01P-0.2L-DS	6.00 [152.40]
28	36	1.825 [46.35]	1.700 [43.18]	2.312-16 UNS	13.688 [347.68]	4.673 [118.69]	2.562 [65.07]	2.719 [69.06]	.980 [24.89]	2.500-01P-0.2L-DS	6.00 [152.40]
29	36	1.730 [43.94]	1.605 [40.77]	2.312-16 UNS	13.688 [347.68]	4.673 [118.69]	2.562 [65.07]	2.719 [69.06]	.980 [24.89]	2.500-01P-0.2L-DS	6.00 [152.40]
30	40	2.375 [60.32]	2.230 [56.64]	2.625-16 UN	18.188 [461.98]	5.000 [127.00]	2.875 [73.02]	2.969 [75.41]	.980 [24.89]	2.750-01P-0.2L-DS	6.00 [152.40]
31	40	2.250 [57.15]	2.105 [53.47]	2.625-16 UN	17.188 [436.58]	5.000 [127.00]	2.875 [73.02]	2.969 [75.41]	.980 [24.89]	2.750-01P-0.2L-DS	6.00 [152.40]
32	40	2.145 [54.48]	2.000 [50.80]	2.625-16 UN	14.188 [360.38]	4.939 [125.45]	2.875 [73.02]	2.969 [75.41]	.980 [24.89]	2.750-01P-0.2L-DS	6.00 [152.40]
33	40	2.062 [52.37]	1.917 [48.69]	2.625-16 UN	14.188 [360.38]	4.939 [125.45]	2.875 [73.02]	2.969 [75.41]	.980 [24.89]	2.750-01P-0.2L-DS	6.00 [152.40]

Dimensions in brackets [] are in millimeters.

5L

M85049/5*A1

STEP-DOWN ADAPTER WITH CABLE CLAMP

SUPERSEDES MS17341*A1

B049AK5*A1

FOR MIL-DTL-22992 CLASS C & R

Military — **M85049/5** **A 2 A 1**
MS17341 **N 2 A 1**
 Spacecraft — **B049AK4** **A 2 A 1**

SPECIFICATION DESIGNATOR

FINISH/MATERIAL

MS17340	M85049	B049AK	FINISH
C	-	-	Cadmium, olive drab
N	A	A	Hard anodize
-	W	W	Cadmium, olive drab over suitable underplate 1000 hr. salt spray
-	X	X	Aluminum, nickel fluorocarbon polymer (RoHS compliant)
-	Y	Y	Aluminum, pure dense electrodeposited aluminum (RoHS compliant)
-	Z	Z	Aluminum, zinc nickel, black (RoHS compliant)

ADAPTER SIZE

See Dimension Table below.

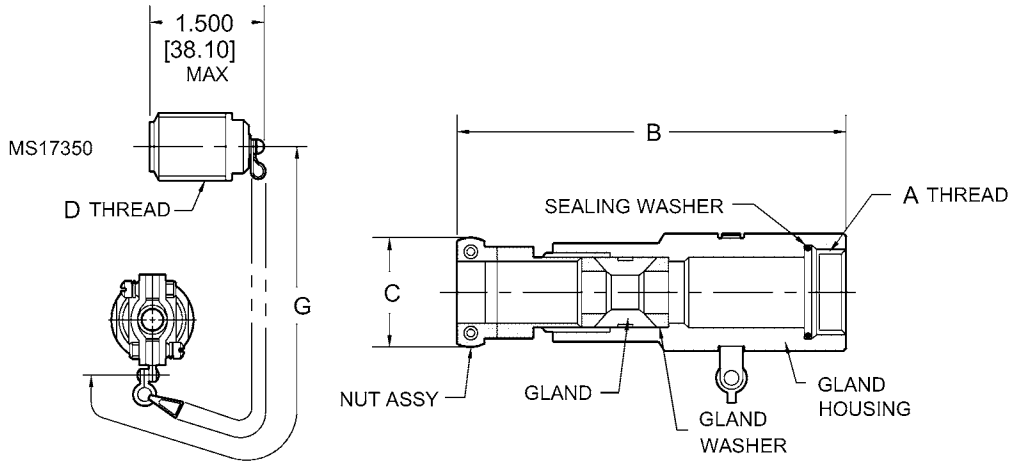
STYLE

Style 1 adapters are for use with class R and C connectors.
 Style 2 adapters are for use with class R, C and J connectors.
 Styles 1 and 2 adapters are for use with connectors MS17343, MS17344, MS17345 and MS17347.
 Style 3 applies only to M85049/5.

TYPE

A For use with MS17344.
B For use with MS17343, MS17345 and MS17347.

MATERIAL: Aluminum Alloy



ADAPT. SIZE NO.	SIZE	CABLE RANGE		A THREAD CLASS 2B-LH	B MAX.	±.031 [±0.79]	D THREAD CLASS 2 (A OR B)	ØE MAX.	F MAX.	G WITHIN ONE LINK
		MAX.	MIN.							
1	12	.250 [6.35]	.156 [3.96]	.750-20 UNEF	3.182 [80.82]	.938 [23.83]	.875-0.1P-0.2L-DS	1.094 [27.79]	.765 [19.43]	5.00 [127.00]
2	18	.375 [9.52]	.281 [7.14]	1.125-18 NEF	3.901 [99.09]	1.062 [26.97]	1.250-0.1P-0.2L-DS	1.469 [37.31]	.980 [24.89]	5.00 [127.00]
3	18	.375 [9.52]	.281 [7.14]	1.125-18 NEF	3.932 [99.87]	1.125 [28.57]	1.250-0.1P-0.2L-DS	1.469 [37.31]	.980 [24.89]	5.00 [127.00]
4	18	.281 [7.14]	.188 [4.78]	1.125-18 NEF	3.901 [99.09]	1.062 [26.97]	1.250-0.1P-0.2L-DS	1.469 [37.31]	.980 [24.89]	5.00 [127.00]
5	18	.605 [15.37]	.511 [12.98]	1.125-18 NEF	4.177 [106.10]	1.375 [34.92]	1.250-0.1P-0.2L-DS	1.469 [37.31]	.980 [24.89]	5.00 [127.00]
6	18	.530 [13.46]	.436 [11.07]	1.125-18 NEF	4.177 [106.10]	1.375 [34.92]	1.250-0.1P-0.2L-DS	1.469 [37.31]	.980 [24.89]	5.00 [127.00]
7	20	.699 [17.75]	.605 [15.37]	1.250-18 NEF	4.489 [114.02]	1.562 [39.67]	1.375-0.1P-0.2L-DS	1.562 [39.67]	.980 [24.89]	5.00 [127.00]
8	20	.455 [11.56]	.361 [9.17]	1.250-18 NEF	4.489 [114.02]	1.562 [39.67]	1.375-0.1P-0.2L-DS	1.562 [39.67]	.980 [24.89]	5.00 [127.00]
9	20	.605 [15.37]	.511 [12.98]	1.250-18 NEF	4.306 [109.37]	1.375 [34.92]	1.375-0.1P-0.2L-DS	1.562 [39.67]	.980 [24.89]	5.00 [127.00]
10	22	.562 [14.27]	.449 [11.40]	1.375-18 NEF	4.584 [116.43]	1.688 [42.88]	1.500-0.1P-0.2L-DS	1.688 [42.88]	.980 [24.89]	6.00 [152.40]

Dimensions in brackets [] are in millimeters.



M85049/5*A1

STEP-DOWN ADAPTER WITH CABLE CLAMP

SUPERSEDES MS17341*A1

B049AK5*A1

ADAPT. SIZE NO.	SIZE	CABLE RANGE		A THREAD CLASS 2B-LH	B MAX.	C ±.031 [±0.79]	D THREAD CLASS 2 (A OR B)	ØE MAX.	F MAX.	G WITHIN ONE LINK
		MAX.	MIN.							
11	22	.405 [10.29]	.311 [7.90]	1.375-18 NEF	4.306 [109.37]	1.375 [34.92]	1.500-0.1P-0.2L-DS	1.688 [42.88]	.980 [24.89]	6.00 [152.40]
12	22	.828 [21.03]	.715 [18.16]	1.375-18 NEF	4.584 [116.43]	1.688 [42.88]	1.500-0.1P-0.2L-DS	1.688 [42.88]	.980 [24.89]	6.00 [152.40]
13	24	.900 [22.86]	.787 [19.99]	1.625-18 NEF	4.647 [118.03]	1.812 [46.02]	1.750-0.1P-0.2L-DS	1.938 [49.23]	.980 [24.89]	6.00 [152.40]
14	24	.630 [16.00]	.517 [13.13]	1.625-18 NEF	4.647 [118.03]	1.812 [46.02]	1.750-0.1P-0.2L-DS	1.938 [49.23]	.980 [24.89]	6.00 [152.40]
15	24	.750 [19.05]	.637 [16.18]	1.625-18 NEF	4.647 [118.03]	1.812 [46.02]	1.750-0.1P-0.2L-DS	1.938 [49.23]	.980 [24.89]	6.00 [152.40]
16	24	.970 [24.64]	.857 [21.77]	1.625-18 NEF	4.647 [118.03]	1.812 [46.02]	1.750-0.1P-0.2L-DS	1.938 [49.23]	.980 [24.89]	6.00 [152.40]
17	24	.828 [21.03]	.715 [18.16]	1.625-18 NEF	4.542 [115.37]	1.688 [42.88]	1.750-0.1P-0.2L-DS	1.938 [49.23]	.980 [24.89]	6.00 [152.40]
18	24	.805 [20.45]	.692 [17.58]	1.625-18 NEF	4.647 [118.03]	1.812 [46.02]	1.750-0.1P-0.2L-DS	1.938 [49.23]	.980 [24.89]	6.00 [152.40]
19	28	.880 [22.35]	.755 [19.18]	1.875-16 UN	4.896 [124.36]	2.125 [53.97]	2.000-0.1P-0.2L-DS	2.219 [56.36]	.980 [24.89]	6.00 [152.40]
20	28	1.109 [28.17]	.984 [24.99]	1.875-16 UN	4.896 [124.36]	2.125 [53.97]	2.000-0.1P-0.2L-DS	2.219 [56.36]	.980 [24.89]	6.00 [152.40]
21	28	.750 [19.05]	.637 [16.18]	1.875-16 UN	4.647 [118.03]	1.812 [46.02]	2.000-0.1P-0.2L-DS	2.219 [56.36]	.980 [24.89]	6.00 [152.40]
22	28	.375 [9.52]	.281 [7.14]	1.875-16 UN	4.229 [107.42]	1.125 [28.57]	2.000-0.1P-0.2L-DS	2.219 [56.36]	.980 [24.89]	6.00 [152.40]
23	28	.970 [24.64]	.857 [21.77]	1.875-16 UN	4.647 [118.03]	1.812 [46.02]	2.000-0.1P-0.2L-DS	2.219 [56.36]	.980 [24.89]	6.00 [152.40]
24	28	1.000 [25.40]	.875 [22.22]	1.875-16 UN	4.896 [124.36]	2.125 [53.97]	2.000-0.1P-0.2L-DS	2.219 [56.36]	.980 [24.89]	6.00 [152.40]
25	28	.530 [13.46]	.436 [11.07]	1.875-16 UN	4.431 [112.55]	1.375 [34.92]	2.000-0.1P-0.2L-DS	2.219 [56.36]	.980 [24.89]	6.00 [152.40]
26	28	.680 [17.27]	.567 [14.40]	1.875-16 UN	4.647 [118.03]	1.812 [46.02]	2.000-0.1P-0.2L-DS	2.219 [56.36]	.980 [24.89]	6.00 [152.40]
27	32	1.055 [26.80]	.930 [23.62]	2.062-16 N	4.896 [124.36]	2.125 [53.97]	2.250-0.1P-0.2L-DS	2.469 [62.71]	.980 [24.89]	6.00 [152.40]
28	32	1.230 [31.24]	1.105 [28.07]	2.062-16 N	4.959 [125.96]	2.469 [62.71]	2.250-0.1P-0.2L-DS	2.469 [62.71]	.980 [24.89]	6.00 [152.40]
29	32	.750 [19.05]	.637 [16.18]	2.062-16 N	4.647 [118.03]	1.812 [46.02]	2.250-0.1P-0.2L-DS	2.469 [62.71]	.980 [24.89]	6.00 [152.40]
30	32	.880 [22.35]	.755 [19.18]	2.062-16 N	4.896 [124.36]	2.125 [53.97]	2.250-0.1P-0.2L-DS	2.469 [62.71]	.980 [24.89]	6.00 [152.40]
31	32	1.109 [28.17]	.984 [24.99]	2.062-16 N	4.896 [124.36]	2.125 [53.97]	2.250-0.1P-0.2L-DS	2.469 [62.71]	.980 [24.89]	6.00 [152.40]
32	32	.970 [24.64]	.857 [21.77]	2.062-16 N	4.647 [118.03]	1.812 [46.02]	2.250-0.1P-0.2L-DS	2.469 [62.71]	.980 [24.89]	6.00 [152.40]
33	32	.375 [9.52]	.281 [7.14]	2.062-16 N	4.276 [108.61]	1.125 [28.57]	2.250-0.1P-0.2L-DS	2.469 [62.71]	.980 [24.89]	6.00 [152.40]
34	32	.530 [13.46]	.436 [11.07]	2.062-16 N	4.431 [112.55]	1.375 [34.92]	2.250-0.1P-0.2L-DS	2.469 [62.71]	.980 [24.89]	6.00 [152.40]
35	32	1.130 [28.70]	1.005 [25.53]	2.062-16 N	4.959 [125.96]	2.469 [62.71]	2.250-0.1P-0.2L-DS	2.469 [62.71]	.980 [24.89]	6.00 [152.40]
36	36	1.310 [33.27]	1.185 [30.10]	2.312-16 N	4.959 [125.96]	2.469 [62.71]	2.500-0.1P-0.2L-DS	2.719 [69.06]	.980 [24.89]	6.00 [152.40]
37	36	1.109 [28.17]	.984 [24.99]	2.312-16 N	4.896 [124.36]	2.125 [53.97]	2.500-0.1P-0.2L-DS	2.719 [69.06]	.980 [24.89]	6.00 [152.40]
38	36	1.375 [34.92]	1.250 [31.75]	2.312-16 N	5.021 [127.53]	2.625 [66.67]	2.500-0.1P-0.2L-DS	2.719 [69.06]	.980 [24.89]	6.00 [152.40]
39	36	1.180 [29.97]	1.055 [26.80]	2.312-16 N	4.959 [125.96]	2.469 [62.71]	2.500-0.1P-0.2L-DS	2.719 [69.06]	.980 [24.89]	6.00 [152.40]
40	36	1.445 [36.70]	1.320 [33.53]	2.312-16 N	5.021 [127.53]	2.625 [66.67]	2.500-0.1P-0.2L-DS	2.719 [69.06]	.980 [24.89]	6.00 [152.40]
41	36	.970 [24.64]	.857 [21.77]	2.312-16 N	4.651 [118.14]	1.812 [46.02]	2.500-0.1P-0.2L-DS	2.719 [69.06]	.980 [24.89]	6.00 [152.40]
42	36	1.230 [31.24]	1.105 [28.07]	2.312-16 N	4.969 [126.21]	2.469 [62.71]	2.500-0.1P-0.2L-DS	2.719 [69.06]	.980 [24.89]	6.00 [152.40]
43	40	1.940 [49.28]	1.815 [46.10]	2.625-16 UN	6.354 [161.39]	3.171 [80.54]	2.750-0.1P-0.2L-DS	2.969 [75.41]	.980 [24.89]	6.00 [152.40]
44	40	1.825 [46.35]	1.700 [43.18]	2.625-16 UN	6.354 [161.39]	3.171 [80.54]	2.750-0.1P-0.2L-DS	2.969 [75.41]	.980 [24.89]	6.00 [152.40]
45	40	1.730 [43.94]	1.605 [40.77]	2.625-16 UN	6.354 [161.39]	3.171 [80.54]	2.750-0.1P-0.2L-DS	2.969 [75.41]	.980 [24.89]	6.00 [152.40]
46	40	1.656 [42.06]	1.531 [38.89]	2.625-16 UN	6.057 [153.85]	2.953 [75.01]	2.750-0.1P-0.2L-DS	2.969 [75.41]	.980 [24.89]	6.00 [152.40]
47†	44	2.000 [50.80]	1.867 [47.42]	2.875-16 UN	6.345 [161.16]	3.375 [85.72]	3.000-0.1P-0.2L-DS	3.217 [81.71]	.980 [24.89]	6.00 [152.40]
48†	44	1.900 [48.26]	1.775 [45.08]	2.875-16 UN	5.266 [133.76]	3.171 [80.54]	3.000-0.1P-0.2L-DS	3.217 [81.71]	.980 [24.89]	6.00 [152.40]

Dimensions in brackets [] are in millimeters.

† Applicable only to M85049/5, not MS17341.

5L

M85049/5*A2

STEP-DOWN ADAPTER WITH CABLE CLAMP

SUPERSEDES MS17341*A2

B049AK5*A2

FOR MIL-DTL-22992 CLASS C & R

Military — **M85049/5** A 2 A 2
 — **MS17341** N 2 A 2
 Spacecraft — **B049AK4** A 2 A 2

SPECIFICATION DESIGNATOR

FINISH/MATERIAL

MS17340	M85049	B049AK	FINISH
C	-	-	Cadmium, olive drab
N	A	A	Hard anodize
-	W	W	Cadmium, olive drab over suitable underplate 1000 hr. salt spray
-	X	X	Aluminum, nickel fluorocarbon polymer (RoHS compliant)
-	Y	Y	Aluminum, pure dense electrodeposited aluminum (RoHS compliant)
-	Z	Z	Aluminum, zinc nickel, black (RoHS compliant)

ADAPTER SIZE

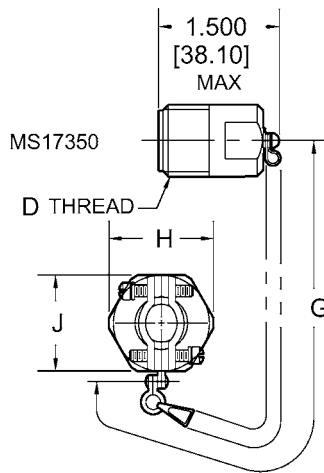
See Dimension Table below.

STYLE

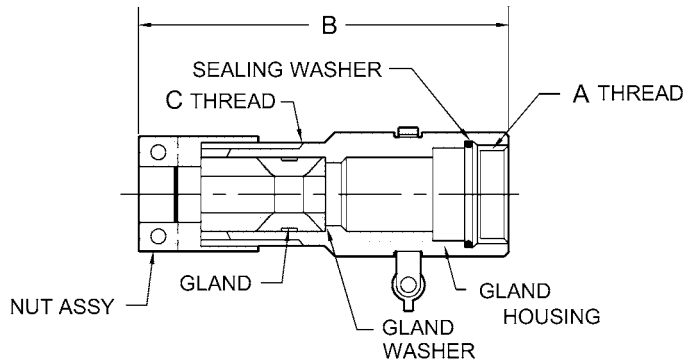
Style 1 adapters are for use with class R and C connectors.
 Style 2 adapters are for use with class R, C and J connectors.
 Styles 1 and 2 adapters are for use with connectors MS17343, MS17344, MS17345 and MS17347.
 Style 3 applies only to M85049/5.

TYPE

A For use with MS17344.
B For use with MS17343, MS17345 and MS17347.



MATERIAL: Aluminum Alloy



ADAPT. SIZE NO.	SIZE	CABLE RANGE		A THREAD CLASS 2B-LH	B MAX.	C GLAND THREADS CLASS 2-LH	D THREAD CLASS 2A/B	ØE MAX.	F MAX.	G WITHIN ONE LINK	H MAX.	J ±.005 [±0.13]
		MAX.	MIN.									
1	12	.280 [7.11]	.130 [3.30]	.750-20 UNEF	4.000 [101.60]	.812-20 UNEF	.875-0.1P-0.2L-DS	1.094 [27.79]	.765 [19.43]	5.00 [127.00]	1.000 [25.40]	.969 [24.61]
2	14	.396 [10.06]	.246 [6.25]	.875-20 UNEF	4.100 [104.14]	.937-20 UNEF	1.000-0.1P-0.2L-DS	1.219 [30.96]	.765 [19.43]	5.00 [127.00]	1.110 [28.19]	1.094 [27.79]
3	16	.521 [13.23]	.321 [8.15]	1.000-20 UNEF	4.400 [111.76]	1.062-18 NEF	1.125-0.1P-0.2L-DS	1.344 [34.14]	.980 [24.89]	5.00 [127.00]	1.320 [33.53]	1.219 [30.96]
4	18	.646 [16.41]	.446 [11.33]	1.125-18 NEF	4.600 [116.84]	1.187-18 NEF	1.250-0.1P-0.2L-DS	1.469 [37.31]	.980 [24.89]	5.00 [127.00]	1.420 [36.07]	1.344 [34.14]
5	18	.475 [12.06]	.300 [7.62]	1.125-18 NEF	4.600 [116.84]	1.187-18 NEF	1.250-0.1P-0.2L-DS	1.469 [37.31]	.980 [24.89]	5.00 [127.00]	1.420 [36.07]	1.344 [34.14]
6	20	.765 [19.43]	.565 [14.35]	1.250-18 NEF	4.900 [124.46]	1.312-18 NEF	1.375-0.1P-0.2L-DS	1.562 [39.67]	.980 [24.89]	5.00 [127.00]	1.600 [40.64]	1.469 [37.31]
7	20	.600 [15.24]	.400 [10.16]	1.250-18 NEF	4.900 [124.46]	1.312-18 NEF	1.375-0.1P-0.2L-DS	1.562 [39.67]	.980 [24.89]	5.00 [127.00]	1.600 [40.64]	1.469 [37.31]
8	22	.890 [22.61]	.690 [17.53]	1.375-18 NEF	4.900 [124.46]	1.437-18 NEF	1.500-0.1P-0.2L-DS	1.688 [42.88]	.980 [24.89]	6.00 [152.40]	1.750 [44.45]	1.625 [41.27]
9	22	.700 [17.78]	.500 [12.70]	1.375-18 NEF	4.900 [124.46]	1.437-18 NEF	1.500-0.1P-0.2L-DS	1.688 [42.88]	.980 [24.89]	6.00 [152.40]	1.750 [44.45]	1.625 [41.27]

Dimensions in brackets [] are in millimeters.



M85049/5*A2

STEP-DOWN ADAPTER WITH CABLE CLAMP

SUPERSEDES MS17341*A2

B049AK5*A2

ADAPT. SIZE NO.	SIZE	CABLE RANGE		A THREAD CLASS 2B-LH	B MAX.	C GLAND THREADS CLASS 2-LH	D THREAD CLASS 2A/B	ØE MAX.	F MAX.	G WITHIN ONE LINK	H MAX.	J ±.005 [±0.13]
		MAX.	MIN.									
10	22	.525 [13.33]	.400 [10.16]	1.375-18 NEF	4.900 [124.46]	1.437-18 NEF	1.500-0.1P-0.2L-DS	1.688 [42.88]	.980 [24.89]	6.00 [152.40]	1.750 [44.45]	1.625 [41.27]
11	24	1.015 [25.78]	.815 [20.70]	1.625-18 NEF	5.000 [127.00]	1.562-18 NEF	1.750-0.1P-0.2L-DS	1.938 [49.23]	.980 [24.89]	6.00 [152.40]	1.900 [48.26]	1.750 [44.45]
12	24	.815 [20.70]	.595 [15.11]	1.625-18 NEF	5.000 [127.00]	1.562-18 NEF	1.750-0.1P-0.2L-DS	1.938 [49.23]	.980 [24.89]	6.00 [152.40]	1.900 [48.26]	1.750 [44.45]
13	28	1.180 [29.97]	.980 [24.89]	1.625-16 N	5.300 [134.62]	1.812-16 N	2.000-0.1 P-0.2L-DS	2.219 [56.36]	.980 [24.89]	6.00 [152.40]	2.190 [55.63]	2.000 [50.80]
14	28	.980 [24.89]	.780 [19.81]	1.625-16 N	5.300 [134.62]	1.812-16 N	2.000-0.1 P-0.2L-DS	2.219 [56.36]	.980 [24.89]	6.00 [152.40]	2.190 [55.63]	2.000 [50.80]
15	32	1.430 [36.32]	1.230 [31.24]	2.062-16 N	5.600 [142.24]	2.062-16 N	2.250-0.1 P-0.2L-DS	2.469 [62.71]	.980 [24.89]	6.00 [152.40]	2.475 [62.86]	2.250 [57.15]
16	32	1.230 [31.24]	1.030 [26.16]	2.062-16 N	5.600 [142.24]	2.062-16 N	2.250-0.1 P-0.2L-DS	2.469 [62.71]	.980 [24.89]	6.00 [152.40]	2.475 [62.86]	2.250 [57.15]
17	36	1.670 [42.42]	1.470 [37.34]	2.312-16 N	5.600 [142.24]	2.312-16 N	2.500-0.1 P-0.2L-DS	2.719 [69.06]	.980 [24.89]	6.00 [152.40]	2.715 [68.96]	2.500 [63.50]
18	36	1.470 [37.34]	1.270 [32.26]	2.312-16 N	5.600 [142.24]	2.312-16 N	2.500-0.1 P-0.2L-DS	2.719 [69.06]	.980 [24.89]	6.00 [152.40]	2.715 [68.96]	2.500 [63.50]
19	40	1.860 [47.24]	1.660 [42.16]	2.625-16 UN	5.725 [145.41]	2.500-16 UN	2.750-0.1 P-0.2L-DS	2.969 [75.41]	.980 [24.89]	6.00 [152.40]	2.900 [73.66]	2.750 [69.85]
20	40	1.660 [42.16]	1.400 [35.56]	2.625-16 UN	5.725 [145.41]	2.500-16 UN	2.750-0.1 P-0.2L-DS	2.969 [75.41]	.980 [24.89]	6.00 [152.40]	2.900 [73.66]	2.750 [69.85]

Dimensions in brackets [] are in millimeters.

M85049/5*A3

STEP-DOWN ADAPTER WITH STRAIN RELIEF

SUPERSEDES MS90570*A

B049AK5*A3

FOR MIL-DTL-22992 CLASS C & R

Military — **M85049/5** A 2 A 3
MS90570 N 2 A
 Spacecraft — **B049AK4** A 2 A 3

SPECIFICATION DESIGNATOR

FINISH/MATERIAL

MS17340	M85049	B049AK	FINISH
C	-	-	Cadmium, olive drab
N	A	A	Hard anodize
-	W	W	Cadmium, olive drab over suitable underplate 1000 hr. salt spray
-	X	X	Aluminum, nickel fluorocarbon polymer (RoHS compliant)
-	Y	Y	Aluminum, pure dense electrodeposited aluminum (RoHS compliant)
-	Z	Z	Aluminum, zinc nickel, black (RoHS compliant)

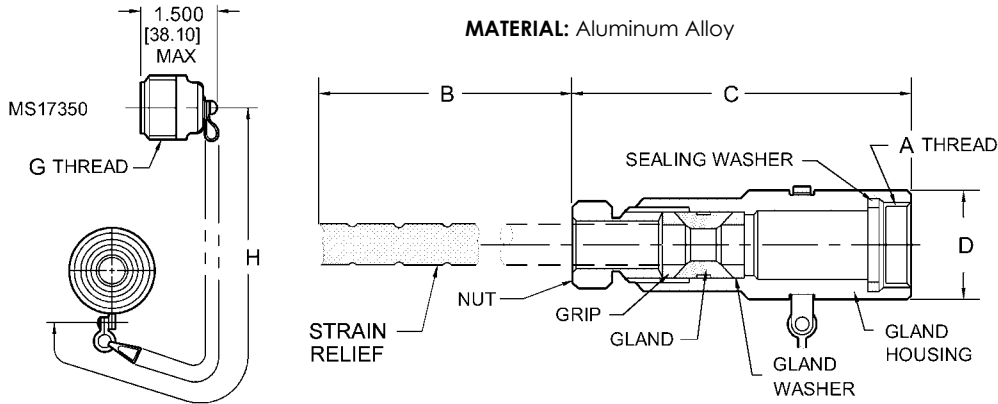
STYLE
(M85049/5 Only.)

TYPE

- A** For use with MS17344.
- B** For use with MS17343, MS17345 and MS17347.

ADAPTER SIZE

See Dimension Table below.



ADAPT SIZE NO.	SIZE	CABLE RANGE		A THREAD CLASS 2B-LH	B APPROX. FREE LENGTH	C MAX.	ØD +0.10 -0.20 [+0.25 -0.51]	ØE MAX.	F MAX.	G THREAD CLASS 2 (A OR B)	H WITHIN ONE LINK
		MAX.	MIN.								
1	12	.222 [5.64]	.160 [4.06]	.750-20 UNEF	2.406 [61.11]	2.752 [69.90]	.938 [23.83]	1.094 [27.79]	.765 [19.43]	.875-01P-0.2L-DS	5.00 [127.00]
2	18	.605 [15.37]	.511 [12.98]	1.125-18 UNEF	5.188 [131.78]	3.712 [94.28]	1.312 [33.32]	1.469 [37.31]	.980 [24.89]	1.250-01P-0.2L-DS	5.00 [127.00]
3	18	.530 [13.46]	.436 [11.07]	1.125-18 UNEF	4.688 [119.08]	3.712 [94.28]	1.312 [33.32]	1.469 [37.31]	.980 [24.89]	1.250-01P-0.2L-DS	5.00 [127.00]
4	18	.375 [9.52]	.306 [7.77]	1.125-18 UNEF	3.844 [97.64]	3.502 [88.95]	1.312 [33.32]	1.469 [37.31]	.980 [24.89]	1.250-01P-0.2L-DS	5.00 [127.00]
5	18	.281 [7.14]	.219 [5.56]	1.125-18 UNEF	2.844 [72.24]	3.471 [88.16]	1.312 [33.32]	1.469 [37.31]	.980 [24.89]	1.250-01P-0.2L-DS	5.00 [127.00]
6	20	.699 [17.75]	.605 [15.37]	1.250-18 UNEF	6.188 [157.18]	4.024 [102.21]	1.438 [36.53]	1.562 [39.67]	.980 [24.89]	1.375-01P-0.2L-DS	5.00 [127.00]
7	20	.605 [15.37]	.511 [12.98]	1.250-18 UNEF	5.188 [131.78]	3.841 [97.56]	1.438 [36.53]	1.562 [39.67]	.980 [24.89]	1.375-01P-0.2L-DS	5.00 [127.00]
8	20	.455 [11.56]	.361 [9.17]	1.250-18 UNEF	4.188 [106.38]	4.024 [102.21]	1.438 [36.53]	1.562 [39.67]	.980 [24.89]	1.375-01P-0.2L-DS	5.00 [127.00]
9	22	.828 [21.03]	.715 [18.16]	1.375-18 UNEF	6.688 [169.88]	4.087 [103.81]	1.562 [39.67]	1.688 [42.88]	.980 [24.89]	1.500-01P-0.2L-DS	6.00 [152.40]
10	22	.562 [14.27]	.449 [11.40]	1.375-18 UNEF	5.188 [131.78]	4.087 [103.81]	1.562 [39.67]	1.688 [42.88]	.980 [24.89]	1.500-01P-0.2L-DS	6.00 [152.40]
11	22	.405 [10.29]	.316 [8.03]	1.375-18 UNEF	3.688 [93.68]	3.841 [97.56]	1.562 [39.67]	1.688 [42.88]	.980 [24.89]	1.500-01P-0.2L-DS	6.00 [152.40]
12	24	.805 [20.45]	.692 [17.58]	1.625-18 UNEF	6.688 [169.88]	4.150 [105.41]	1.812 [46.02]	1.938 [49.23]	.980 [24.89]	1.750-01P-0.2L-DS	6.00 [152.40]

Dimensions in brackets [] are in millimeters.



ADAPT SIZE NO.	SIZE	CABLE RANGE		A THREAD CLASS 2B-LH	B APPROX. FREE LENGTH	C MAX.	ØD +.010 -.020 [+.025 -.051]	ØE MAX.	F MAX.	G THREAD CLASS 2 (A OR B)	H WITHIN ONE LINK
		MAX.	MIN.								
13	24	.750 [19.05]	.637 [16.18]	1.625-18 UNEF	6.688 [169.88]	4.150 [105.41]	1.812 [46.02]	1.938 [49.23]	.980 [24.89]	1.750-01P-0.2L-DS	6.00 [152.40]
14	24	.630 [16.00]	.517 [13.13]	1.625-18 UNEF	5.688 [144.48]	4.150 [105.41]	1.812 [46.02]	1.938 [49.23]	.980 [24.89]	1.750-01P-0.2L-DS	6.00 [152.40]
15	28	1.109 [28.17]	.984 [24.99]	1.875-16 UN	7.688 [195.28]	4.212 [106.98]	2.062 [52.37]	2.219 [56.36]	.980 [24.89]	2.000-01P-0.2L-DS	6.00 [152.40]
16	28	1.000 [25.40]	.875 [22.22]	1.875-16 UN	7.188 [182.58]	4.212 [106.98]	2.062 [52.37]	2.219 [56.36]	.980 [24.89]	2.000-01P-0.2L-DS	6.00 [152.40]
17	28	.880 [22.35]	.755 [19.18]	1.875-16 UN	6.688 [169.88]	4.212 [106.98]	2.062 [52.37]	2.219 [56.36]	.980 [24.89]	2.000-01P-0.2L-DS	6.00 [152.40]
18	28	.750 [19.05]	.637 [16.18]	1.875-16 UN	6.688 [169.88]	4.150 [105.41]	2.062 [52.37]	2.219 [56.36]	.980 [24.89]	2.000-01P-0.2L-DS	6.00 [152.40]
19	28	.680 [17.27]	.567 [14.40]	1.875-16 UN	6.688 [169.88]	4.150 [105.41]	2.062 [52.37]	2.219 [56.36]	.980 [24.89]	2.000-01P-0.2L-DS	6.00 [152.40]
20	28	.530 [13.46]	.436 [11.07]	1.875-16 UN	4.688 [119.08]	3.966 [100.74]	2.062 [52.37]	2.219 [56.36]	.980 [24.89]	2.000-01P-0.2L-DS	6.00 [152.40]
21	28	.375 [9.52]	.306 [7.77]	1.875-16 UN	3.844 [97.64]	3.799 [96.49]	2.062 [52.37]	2.219 [56.36]	.980 [24.89]	2.000-01P-0.2L-DS	6.00 [152.40]
22	32	1.230 [31.24]	1.105 [28.07]	2.062-16 UN	8.188 [207.98]	4.275 [108.58]	2.312 [58.72]	2.469 [62.71]	.980 [24.89]	2.250-01P-0.2L-DS	6.00 [152.40]
23	32	1.130 [28.70]	1.005 [25.53]	2.062-16 UN	7.188 [182.58]	4.275 [108.58]	2.312 [58.72]	2.469 [62.71]	.980 [24.89]	2.250-01P-0.2L-DS	6.00 [152.40]
24	32	1.055 [26.80]	.930 [23.62]	2.062-16 UN	7.688 [195.28]	4.212 [106.98]	2.312 [58.72]	2.469 [62.71]	.980 [24.89]	2.250-01P-0.2L-DS	6.00 [152.40]
25	32	.970 [24.64]	.857 [21.77]	2.062-16 UN	7.188 [182.58]	4.150 [105.41]	2.312 [58.72]	2.469 [62.71]	.980 [24.89]	2.250-01P-0.2L-DS	6.00 [152.40]
26	32	.880 [22.35]	.755 [19.18]	2.062-16 UN	6.688 [169.88]	4.212 [106.98]	2.312 [58.72]	2.469 [62.71]	.980 [24.89]	2.250-01P-0.2L-DS	6.00 [152.40]
27	32	.750 [19.05]	.637 [16.18]	2.062-16 UN	6.688 [169.88]	4.150 [105.41]	2.312 [58.72]	2.469 [62.71]	.980 [24.89]	2.250-01P-0.2L-DS	6.00 [152.40]
28	32	.530 [13.46]	.436 [11.07]	2.062-16 UN	4.688 [119.08]	3.966 [100.74]	2.312 [58.72]	2.469 [62.71]	.980 [24.89]	2.250-01P-0.2L-DS	6.00 [152.40]
29	32	.375 [9.52]	.306 [7.77]	2.062-16 UN	3.844 [97.64]	3.846 [97.69]	2.312 [58.72]	2.469 [62.71]	.980 [24.89]	2.250-01P-0.2L-DS	6.00 [152.40]
30	36	1.445 [36.70]	1.320 [33.53]	2.312-16 UN	9.688 [246.08]	4.337 [110.16]	2.562 [65.07]	2.719 [69.06]	.980 [24.89]	2.500-01P-0.2L-DS	6.00 [152.40]
31	36	1.375 [34.92]	1.250 [31.75]	2.312-16 UN	9.688 [246.08]	4.337 [110.16]	2.562 [65.07]	2.719 [69.06]	.980 [24.89]	2.500-01P-0.2L-DS	6.00 [152.40]
32	36	1.310 [33.27]	1.185 [30.10]	2.312-16 UN	8.688 [220.68]	4.275 [108.58]	2.562 [65.07]	2.719 [69.06]	.980 [24.89]	2.500-01P-0.2L-DS	6.00 [152.40]
33	36	1.230 [31.24]	1.105 [28.07]	2.312-16 UN	8.188 [207.98]	4.275 [108.58]	2.562 [65.07]	2.719 [69.06]	.980 [24.89]	2.500-01P-0.2L-DS	6.00 [152.40]
34	36	1.180 [29.97]	1.055 [26.80]	2.312-16 UN	8.188 [207.98]	4.275 [108.58]	2.562 [65.07]	2.719 [69.06]	.980 [24.89]	2.500-01P-0.2L-DS	6.00 [152.40]
35	36	1.109 [28.17]	.984 [24.99]	2.312-16 UN	7.688 [195.28]	4.212 [106.98]	2.562 [65.07]	2.719 [69.06]	.980 [24.89]	2.500-01P-0.2L-DS	6.00 [152.40]
36	36	.970 [24.64]	.857 [21.77]	2.312-16 UN	7.188 [182.58]	4.154 [105.51]	2.562 [65.07]	2.719 [69.06]	.980 [24.89]	2.500-01P-0.2L-DS	6.00 [152.40]
37	40	1.940 [49.28]	1.815 [46.10]	2.625-16 UN	13.688 [347.68]	5.673 [144.09]	2.875 [73.02]	2.969 [75.41]	.980 [24.89]	2.750-01P-0.2L-DS	6.00 [152.40]
38	40	1.825 [46.35]	1.700 [43.18]	2.625-16 UN	13.688 [347.68]	5.673 [144.09]	2.875 [73.02]	2.969 [75.41]	.980 [24.89]	2.750-01P-0.2L-DS	6.00 [152.40]
39	40	1.730 [43.94]	1.605 [40.77]	2.625-16 UN	13.688 [347.68]	5.673 [144.09]	2.875 [73.02]	2.969 [75.41]	.980 [24.89]	2.750-01P-0.2L-DS	6.00 [152.40]
40	40	1.656 [42.06]	1.531 [38.89]	2.625-16 UN	12.688 [322.28]	5.373 [136.47]	2.875 [73.02]	2.969 [75.41]	.980 [24.89]	2.750-01P-0.2L-DS	6.00 [152.40]
41†	44	2.000 [50.80]	1.867 [47.42]	2.875-16 UN	14.188 [360.38]	5.673 [144.09]	3.125 [79.37]	3.217 [81.71]	.980 [24.89]	3.000-01P-0.2L-DS	6.00 [152.40]
42†	44	1.900 [48.26]	1.775 [45.08]	2.875-16 UN	13.688 [347.68]	4.594 [116.69]	3.125 [79.37]	3.217 [81.71]	.980 [24.89]	3.000-01P-0.2L-DS	6.00 [152.40]

Dimensions in brackets [] are in millimeters.

† Applicable to M85049/5 only, not MS90570.

5L

M85049/5*B1

STEP-DOWN ADAPTER WITH CABLE CLAMP

SUPERSEDES MS17341*B1

B049AK5*B1

FOR MIL-DTL-22992 CLASS C & R

Military — **M85049/5** A 2 B 1
 — **MS17342** N 2 B 1
 Spacecraft — **B049AK4** A 2 B 1

SPECIFICATION DESIGNATOR

FINISH/MATERIAL

MS17340	M85049	B049AK	FINISH
C	-	-	Cadmium, olive drab
N	A	A	Hard anodize
-	W	W	Cadmium, olive drab over suitable underplate 1000 hr. salt spray
-	X	X	Aluminum, nickel fluorocarbon polymer (RoHS compliant)
-	Y	Y	Aluminum, pure dense electrodeposited aluminum (RoHS compliant)
-	Z	Z	Aluminum, zinc nickel, black (RoHS compliant)

ADAPTER SIZE

See Dimension Table below.

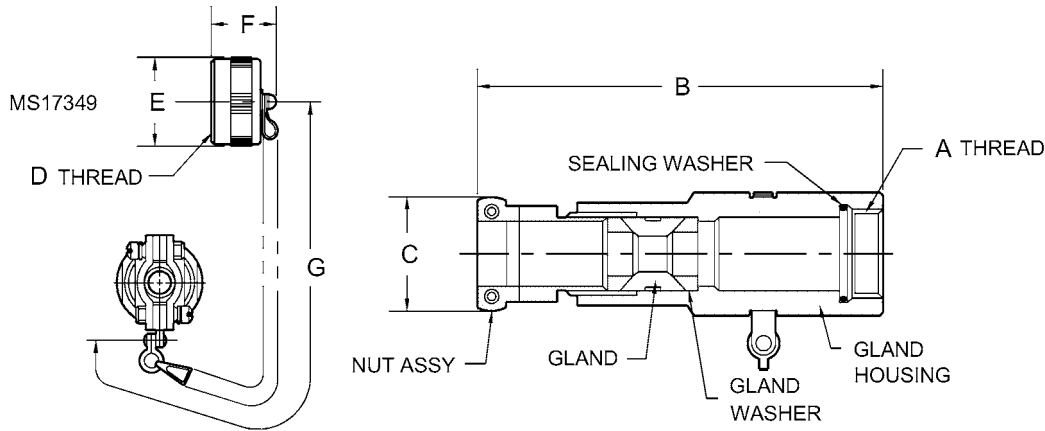
STYLE

Style 1 adapters are for use with class R and C connectors.
 Style 2 adapters are for use with class R, C and J connectors.
 Styles 1 and 2 adapters are for use with connectors MS17343, MS17344, MS17345 and MS17347.
 Style 3 applies only to M85049/5.

TYPE

A For use with MS17344.
B For use with MS17343, MS17345 and MS17347.

MATERIAL: Aluminum Alloy



ADAPT. SIZE NO.	SIZE	CABLE RANGE		A THREAD CLASS 2B-LH	B MAX.	C ±.031 [±0.79]	D THREAD CLASS 2 (A OR B)	ØE MAX.	F MAX.	G WITHIN ONE LINK
		MAX.	MIN.							
1	12	.250 [6.35]	.156 [3.96]	.750-20 UNEF	3.182 [80.82]	.938 [23.83]	.875-0.1P-0.2L-DS	1.094 [27.79]	.765 [19.43]	5.00 [127.00]
2	18	.375 [9.52]	.281 [7.14]	1.125-18 NEF	3.901 [99.09]	1.062 [26.97]	1.250-0.1P-0.2L-DS	1.469 [37.31]	.980 [24.89]	5.00 [127.00]
3	18	.375 [9.52]	.281 [7.14]	1.125-18 NEF	3.932 [99.87]	1.125 [28.57]	1.250-0.1P-0.2L-DS	1.469 [37.31]	.980 [24.89]	5.00 [127.00]
4	18	.281 [7.14]	.188 [4.78]	1.125-18 NEF	3.901 [99.09]	1.062 [26.97]	1.250-0.1P-0.2L-DS	1.469 [37.31]	.980 [24.89]	5.00 [127.00]
5	18	.605 [15.37]	.511 [12.98]	1.125-18 NEF	4.177 [106.10]	1.375 [34.92]	1.250-0.1P-0.2L-DS	1.469 [37.31]	.980 [24.89]	5.00 [127.00]
6	18	.530 [13.46]	.436 [11.07]	1.125-18 NEF	4.177 [106.10]	1.375 [34.92]	1.250-0.1P-0.2L-DS	1.469 [37.31]	.980 [24.89]	5.00 [127.00]
7	20	.699 [17.75]	.605 [15.37]	1.250-18 NEF	4.489 [114.02]	1.562 [39.67]	1.375-0.1P-0.2L-DS	1.562 [39.67]	.980 [24.89]	5.00 [127.00]
8	20	.455 [11.56]	.361 [9.17]	1.250-18 NEF	4.489 [114.02]	1.562 [39.67]	1.375-0.1P-0.2L-DS	1.562 [39.67]	.980 [24.89]	5.00 [127.00]
9	20	.605 [15.37]	.511 [12.98]	1.250-18 NEF	4.306 [109.37]	1.375 [34.92]	1.375-0.1P-0.2L-DS	1.562 [39.67]	.980 [24.89]	5.00 [127.00]
10	22	.562 [14.27]	.449 [11.40]	1.375-18 NEF	4.584 [116.43]	1.688 [42.88]	1.500-0.1P-0.2L-DS	1.688 [42.88]	.980 [24.89]	6.00 [152.40]

Dimensions in brackets [] are in millimeters.



M85049/5*B1

STEP-DOWN ADAPTER WITH CABLE CLAMP

SUPERSEDES MS17341*B1

B049AK5*B1

ADAPT. SIZE NO.	SIZE	CABLE RANGE		A THREAD CLASS 2B-LH	B MAX.	C ±.031 [±0.79]	D THREAD CLASS 2 (A OR B)	ØE MAX.	F MAX.	G WITHIN ONE LINK
		MAX.	MIN.							
11	22	.405 [10.29]	.311 [7.90]	1.375-18 NEF	4.306 [109.37]	1.375 [34.92]	1.500-0.1P-0.2L-DS	1.688 [42.88]	.980 [24.89]	6.00 [152.40]
12	22	.828 [21.03]	.715 [18.16]	1.375-18 NEF	4.584 [116.43]	1.688 [42.88]	1.500-0.1P-0.2L-DS	1.688 [42.88]	.980 [24.89]	6.00 [152.40]
13	24	.900 [22.86]	.787 [19.99]	1.625-18 NEF	4.647 [118.03]	1.812 [46.02]	1.750-0.1P-0.2L-DS	1.938 [49.23]	.980 [24.89]	6.00 [152.40]
14	24	.630 [16.00]	.517 [13.13]	1.625-18 NEF	4.647 [118.03]	1.812 [46.02]	1.750-0.1P-0.2L-DS	1.938 [49.23]	.980 [24.89]	6.00 [152.40]
15	24	.750 [19.05]	.637 [16.18]	1.625-18 NEF	4.647 [118.03]	1.812 [46.02]	1.750-0.1P-0.2L-DS	1.938 [49.23]	.980 [24.89]	6.00 [152.40]
16	24	.970 [24.64]	.857 [21.77]	1.625-18 NEF	4.647 [118.03]	1.812 [46.02]	1.750-0.1P-0.2L-DS	1.938 [49.23]	.980 [24.89]	6.00 [152.40]
17	24	.828 [21.03]	.715 [18.16]	1.625-18 NEF	4.542 [115.37]	1.688 [42.88]	1.750-0.1P-0.2L-DS	1.938 [49.23]	.980 [24.89]	6.00 [152.40]
18	24	.805 [20.45]	.692 [17.58]	1.625-18 NEF	4.647 [118.03]	1.812 [46.02]	1.750-0.1P-0.2L-DS	1.938 [49.23]	.980 [24.89]	6.00 [152.40]
19	28	.880 [22.35]	.755 [19.18]	1.875-16 UN	4.896 [124.36]	2.125 [53.97]	2.000-0.1P-0.2L-DS	2.219 [56.36]	.980 [24.89]	6.00 [152.40]
20	28	1.109 [28.17]	.984 [24.99]	1.875-16 UN	4.896 [124.36]	2.125 [53.97]	2.000-0.1P-0.2L-DS	2.219 [56.36]	.980 [24.89]	6.00 [152.40]
21	28	.750 [19.05]	.637 [16.18]	1.875-16 UN	4.647 [118.03]	1.812 [46.02]	2.000-0.1P-0.2L-DS	2.219 [56.36]	.980 [24.89]	6.00 [152.40]
22	28	.375 [9.52]	.281 [7.14]	1.875-16 UN	4.229 [107.42]	1.125 [28.57]	2.000-0.1P-0.2L-DS	2.219 [56.36]	.980 [24.89]	6.00 [152.40]
23	28	.970 [24.64]	.857 [21.77]	1.875-16 UN	4.647 [118.03]	1.812 [46.02]	2.000-0.1P-0.2L-DS	2.219 [56.36]	.980 [24.89]	6.00 [152.40]
24	28	1.000 [25.40]	.875 [22.22]	1.875-16 UN	4.896 [124.36]	2.125 [53.97]	2.000-0.1P-0.2L-DS	2.219 [56.36]	.980 [24.89]	6.00 [152.40]
25	28	.530 [13.46]	.436 [11.07]	1.875-16 UN	4.431 [112.55]	1.375 [34.92]	2.000-0.1P-0.2L-DS	2.219 [56.36]	.980 [24.89]	6.00 [152.40]
26	28	.680 [17.27]	.567 [14.40]	1.875-16 UN	4.647 [118.03]	1.812 [46.02]	2.000-0.1P-0.2L-DS	2.219 [56.36]	.980 [24.89]	6.00 [152.40]
27	32	1.055 [26.80]	.930 [23.62]	2.062-16 N	4.896 [124.36]	2.125 [53.97]	2.250-0.1P-0.2L-DS	2.469 [62.71]	.980 [24.89]	6.00 [152.40]
28	32	1.230 [31.24]	1.105 [28.07]	2.062-16 N	4.959 [125.96]	2.469 [62.71]	2.250-0.1P-0.2L-DS	2.469 [62.71]	.980 [24.89]	6.00 [152.40]
29	32	.750 [19.05]	.637 [16.18]	2.062-16 N	4.647 [118.03]	1.812 [46.02]	2.250-0.1P-0.2L-DS	2.469 [62.71]	.980 [24.89]	6.00 [152.40]
30	32	.880 [22.35]	.755 [19.18]	2.062-16 N	4.896 [124.36]	2.125 [53.97]	2.250-0.1P-0.2L-DS	2.469 [62.71]	.980 [24.89]	6.00 [152.40]
31	32	1.109 [28.17]	.984 [24.99]	2.062-16 N	4.896 [124.36]	2.125 [53.97]	2.250-0.1P-0.2L-DS	2.469 [62.71]	.980 [24.89]	6.00 [152.40]
32	32	.970 [24.64]	.857 [21.77]	2.062-16 N	4.647 [118.03]	1.812 [46.02]	2.250-0.1P-0.2L-DS	2.469 [62.71]	.980 [24.89]	6.00 [152.40]
33	32	.375 [9.52]	.281 [7.14]	2.062-16 N	4.276 [108.61]	1.125 [28.57]	2.250-0.1P-0.2L-DS	2.469 [62.71]	.980 [24.89]	6.00 [152.40]
34	32	.530 [13.46]	.436 [11.07]	2.062-16 N	4.431 [112.55]	1.375 [34.92]	2.250-0.1P-0.2L-DS	2.469 [62.71]	.980 [24.89]	6.00 [152.40]
35	32	1.130 [28.70]	1.005 [25.53]	2.062-16 N	4.959 [125.96]	2.469 [62.71]	2.250-0.1P-0.2L-DS	2.469 [62.71]	.980 [24.89]	6.00 [152.40]
36	36	1.310 [33.27]	1.185 [30.10]	2.312-16 N	4.959 [125.96]	2.469 [62.71]	2.500-0.1P-0.2L-DS	2.719 [69.06]	.980 [24.89]	6.00 [152.40]
37	36	1.109 [28.17]	.984 [24.99]	2.312-16 N	4.896 [124.36]	2.125 [53.97]	2.500-0.1P-0.2L-DS	2.719 [69.06]	.980 [24.89]	6.00 [152.40]
38	36	1.375 [34.92]	1.250 [31.75]	2.312-16 N	5.021 [127.53]	2.625 [66.67]	2.500-0.1P-0.2L-DS	2.719 [69.06]	.980 [24.89]	6.00 [152.40]
39	36	1.180 [29.97]	1.055 [26.80]	2.312-16 N	4.959 [125.96]	2.469 [62.71]	2.500-0.1P-0.2L-DS	2.719 [69.06]	.980 [24.89]	6.00 [152.40]
40	36	1.445 [36.70]	1.320 [33.53]	2.312-16 N	5.021 [127.53]	2.625 [66.67]	2.500-0.1P-0.2L-DS	2.719 [69.06]	.980 [24.89]	6.00 [152.40]
41	36	.970 [24.64]	.857 [21.77]	2.312-16 N	4.651 [118.14]	1.812 [46.02]	2.500-0.1P-0.2L-DS	2.719 [69.06]	.980 [24.89]	6.00 [152.40]
42	36	1.230 [31.24]	1.105 [28.07]	2.312-16 N	4.969 [126.21]	2.469 [62.71]	2.500-0.1P-0.2L-DS	2.719 [69.06]	.980 [24.89]	6.00 [152.40]
43	40	1.940 [49.28]	1.815 [46.10]	2.625-16 UN	6.354 [161.39]	3.171 [80.54]	2.750-0.1P-0.2L-DS	2.969 [75.41]	.980 [24.89]	6.00 [152.40]
44	40	1.825 [46.35]	1.700 [43.18]	2.625-16 UN	6.354 [161.39]	3.171 [80.54]	2.750-0.1P-0.2L-DS	2.969 [75.41]	.980 [24.89]	6.00 [152.40]
45	40	1.730 [43.94]	1.605 [40.77]	2.625-16 UN	6.354 [161.39]	3.171 [80.54]	2.750-0.1P-0.2L-DS	2.969 [75.41]	.980 [24.89]	6.00 [152.40]
46	40	1.656 [42.06]	1.531 [38.89]	2.625-16 UN	6.057 [153.85]	2.953 [75.01]	2.750-0.1P-0.2L-DS	2.969 [75.41]	.980 [24.89]	6.00 [152.40]
47†	44	2.000 [50.80]	1.867 [47.42]	2.875-16 UN	6.345 [161.16]	3.375 [85.72]	3.000-0.1P-0.2L-DS	3.217 [81.71]	.980 [24.89]	6.00 [152.40]
48†	44	1.900 [48.26]	1.775 [45.08]	2.875-16 UN	5.266 [133.76]	3.171 [80.54]	3.000-0.1P-0.2L-DS	3.217 [81.71]	.980 [24.89]	6.00 [152.40]

Dimensions in brackets [] are in millimeters.

† Applicable only to M85049/5, not MS17341.

5L

M85049/5*B2

STEP-DOWN ADAPTER WITH CABLE CLAMP

SUPERSEDES MS17341*B2

B049AK5*B2

FOR MIL-DTL-22992 CLASS C & R

Military — **M85049/5** **A 2 B 2**
MS17341 **N 2 B 2**
 Spacecraft — **B049AK4** **A 2 B 2**

SPECIFICATION DESIGNATOR

FINISH/MATERIAL

MS17340	M85049	B049AK	FINISH
C	-	-	Cadmium, olive drab
N	A	A	Hard anodize
-	W	W	Cadmium, olive drab over suitable underplate 1000 hr. salt spray
-	X	X	Aluminum, nickel fluorocarbon polymer (RoHS compliant)
-	Y	Y	Aluminum, pure dense electrodeposited aluminum (RoHS compliant)
-	Z	Z	Aluminum, zinc nickel, black (RoHS compliant)

STYLE

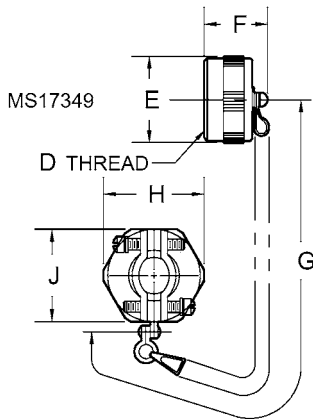
Style 1 adapters are for use with class R and C connectors.
 Style 2 adapters are for use with class R, C and J connectors.
 Styles 1 and 2 adapters are for use with connectors MS17343, MS17344, MS17345 and MS17347.
 Style 3 applies only to M85049/5.

TYPE

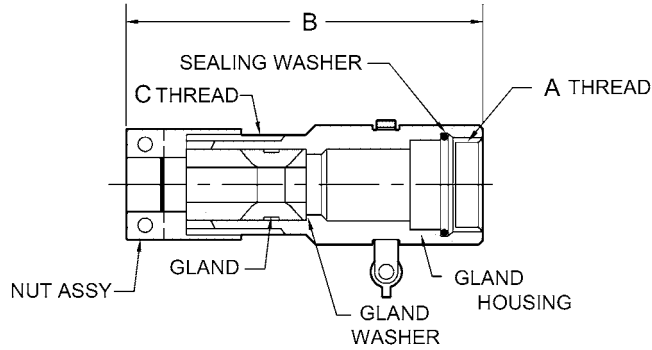
A For use with MS17344.
B For use with MS17343, MS17345 and MS17347.

ADAPTER SIZE

See Dimension Table below.



MATERIAL: Aluminum Alloy



ADAPT. SIZE NO.	SIZE	CABLE RANGE		A THREAD CLASS 2B-LH	B MAX.	C GLAND THREADS CLASS 2-LH	D THREAD CLASS 2A/B	ØE MAX.	F MAX.	G WITHIN ONE LINK	H MAX.	J ±.005 [±0.13]
		MAX.	MIN.									
1	12	.280 [7.11]	.130 [3.30]	.750-20 UNEF	4.000 [101.60]	.812-20 UNEF	.875-0.1 P-0.2L-DS	1.094 [27.79]	.765 [19.43]	5.00 [127.00]	1.000 [25.40]	.969 [24.61]
2	14	.396 [10.06]	.246 [6.25]	.875-20 UNEF	4.100 [104.14]	.937-20 UNEF	1.000-0.1P-0.2L-DS	1.219 [30.96]	.765 [19.43]	5.00 [127.00]	1.110 [28.19]	1.094 [27.79]
3	16	.521 [13.23]	.321 [8.15]	1.000-20 UNEF	4.400 [111.76]	1.062-18 NEF	1.125-0.1P-0.2L-DS	1.344 [34.14]	.980 [24.89]	5.00 [127.00]	1.320 [33.53]	1.219 [30.96]
4	18	.646 [16.41]	.446 [11.33]	1.125-18 NEF	4.600 [116.84]	1.187-18 NEF	1.250-0.1P-0.2L-DS	1.469 [37.31]	.980 [24.89]	5.00 [127.00]	1.420 [36.07]	1.344 [34.14]
5	18	.475 [12.06]	.300 [7.62]	1.125-18 NEF	4.600 [116.84]	1.187-18 NEF	1.250-0.1P-0.2L-DS	1.469 [37.31]	.980 [24.89]	5.00 [127.00]	1.420 [36.07]	1.344 [34.14]
6	20	.765 [19.43]	.565 [14.35]	1.250-18 NEF	4.900 [124.46]	1.312-18 NEF	1.375-0.1P-0.2L-DS	1.562 [39.67]	.980 [24.89]	5.00 [127.00]	1.600 [40.64]	1.469 [37.31]
7	20	.600 [15.24]	.400 [10.16]	1.250-18 NEF	4.900 [124.46]	1.312-18 NEF	1.375-0.1P-0.2L-DS	1.562 [39.67]	.980 [24.89]	5.00 [127.00]	1.600 [40.64]	1.469 [37.31]
8	22	.890 [22.61]	.690 [17.53]	1.375-18 NEF	4.900 [124.46]	1.437-18 NEF	1.500-0.1P-0.2L-DS	1.688 [42.88]	.980 [24.89]	6.00 [152.40]	1.750 [44.45]	1.625 [41.27]
9	22	.700 [17.78]	.500 [12.70]	1.375-18 NEF	4.900 [124.46]	1.437-18 NEF	1.500-0.1P-0.2L-DS	1.688 [42.88]	.980 [24.89]	6.00 [152.40]	1.750 [44.45]	1.625 [41.27]
10	22	.525 [13.33]	.400 [10.16]	1.375-18 NEF	4.900 [124.46]	1.437-18 NEF	1.500-0.1P-0.2L-DS	1.688 [42.88]	.980 [24.89]	6.00 [152.40]	1.750 [44.45]	1.625 [41.27]

Dimensions in brackets [] are in millimeters.



M85049/5*B2

STEP-DOWN ADAPTER WITH CABLE CLAMP

SUPERSEDES MS17341*B2

B049AK5*B2

ADAPT. SIZE NO.	SIZE	CABLE RANGE		A THREAD CLASS 2B-LH	B MAX.	C GLAND THREADS CLASS 2-LH	D THREAD CLASS 2A/B	ØE MAX.	F MAX.	G WITHIN ONE LINK	H MAX.	J ±.005 [±0.13]
		MAX.	MIN.									
11	24	1.015 [25.78]	.815 [20.70]	1.625-18 NEF	5.000 [127.00]	1.562-18 NEF	1.750-0.1P-0.2L-DS	1.938 [49.23]	.980 [24.89]	6.00 [152.40]	1.900 [48.26]	1.750 [44.45]
12	24	.815 [20.70]	.595 [15.11]	1.625-18 NEF	5.000 [127.00]	1.562-18 NEF	1.750-0.1P-0.2L-DS	1.938 [49.23]	.980 [24.89]	6.00 [152.40]	1.900 [48.26]	1.750 [44.45]
13	28	1.180 [29.97]	.980 [24.89]	1.625-16 N	5.300 [134.62]	1.812-16 N	2.000-0.1P-0.2L-DS	2.219 [56.36]	.980 [24.89]	6.00 [152.40]	2.190 [55.63]	2.000 [50.80]
14	28	.980 [24.89]	.780 [19.81]	1.625-16 N	5.300 [134.62]	1.812-16 N	2.000-0.1P-0.2L-DS	2.219 [56.36]	.980 [24.89]	6.00 [152.40]	2.190 [55.63]	2.000 [50.80]
15	32	1.430 [36.32]	1.230 [31.24]	2.062-16 N	5.600 [142.24]	2.062-16 N	2.250-0.1P-0.2L-DS	2.469 [62.71]	.980 [24.89]	6.00 [152.40]	2.475 [62.86]	2.250 [57.15]
16	32	1.230 [31.24]	1.030 [26.16]	2.062-16 N	5.600 [142.24]	2.062-16 N	2.250-0.1P-0.2L-DS	2.469 [62.71]	.980 [24.89]	6.00 [152.40]	2.475 [62.86]	2.250 [57.15]
17	36	1.670 [42.42]	1.470 [37.34]	2.312-16 N	5.600 [142.24]	2.312-16 N	2.500-0.1P-0.2L-DS	2.719 [69.06]	.980 [24.89]	6.00 [152.40]	2.715 [68.96]	2.500 [63.50]
18	36	1.470 [37.34]	1.270 [32.26]	2.312-16 N	5.600 [142.24]	2.312-16 N	2.500-0.1P-0.2L-DS	2.719 [69.06]	.980 [24.89]	6.00 [152.40]	2.715 [68.96]	2.500 [63.50]
19	40	1.860 [47.24]	1.660 [42.16]	2.625-16 UN	5.725 [145.41]	2.500-16 UN	2.750-0.1P-0.2L-DS	2.969 [75.41]	.980 [24.89]	6.00 [152.40]	2.900 [73.66]	2.750 [69.85]
20	40	1.660 [42.16]	1.400 [35.56]	2.625-16 UN	5.725 [145.41]	2.500-16 UN	2.750-0.1P-0.2L-DS	2.969 [75.41]	.980 [24.89]	6.00 [152.40]	2.900 [73.66]	2.750 [69.85]

Dimensions in brackets [] are in millimeters.

M85049/5*B3

STEP-DOWN ADAPTER WITH STRAIN RELIEF

SUPERSEDES MS90570*B

B049AK5*B3

FOR MIL-DTL-22992 CLASS C & R

Military — **M85049/5** A 2 B 3
MS90570 N 2 B
 Spacecraft — **B049AK4** A 2 B 3

SPECIFICATION DESIGNATOR

FINISH/MATERIAL

MS17340	M85049	B049AK	FINISH
C	-	-	Cadmium, olive drab
N	A	A	Hard anodize
-	W	W	Cadmium, olive drab over suitable underplate 1000 hr. salt spray
-	X	X	Aluminum, nickel fluorocarbon polymer (RoHS compliant)
-	Y	Y	Aluminum, pure dense electrodeposited aluminum (RoHS compliant)
-	Z	Z	Aluminum, zinc nickel, black (RoHS compliant)

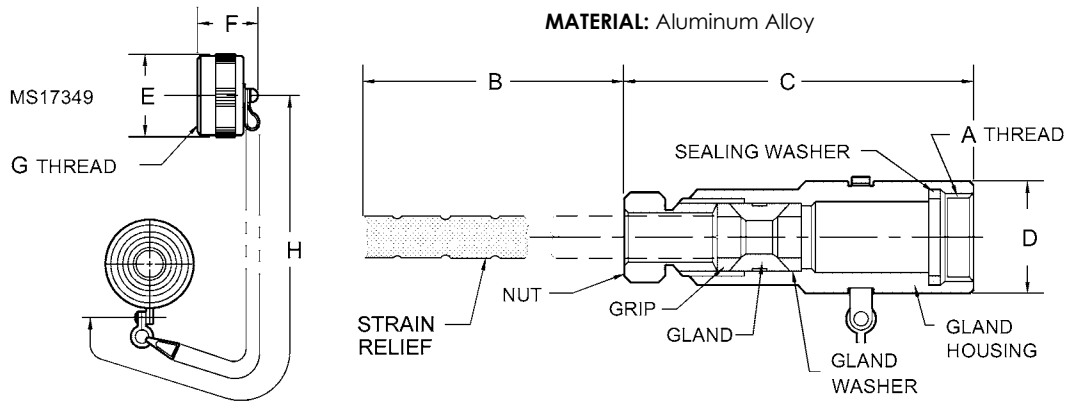
STYLE
(M85049/5 Only.)

TYPE

- A** For use with MS17344.
- B** For use with MS17343, MS17345 and MS17347.

ADAPTER SIZE

See Dimension Table below.



ADAPT SIZE NO.	SIZE	CABLE RANGE		A THREAD CLASS 2B-LH	B APPROX. FREE LENGTH	C MAX.	ØD +0.010 -0.020 [+0.25 -0.51]	ØE MAX.	F MAX.	G THREAD CLASS 2 (A OR B)	H WITHIN ONE LINK
		MAX.	MIN.								
1	12	.222 [5.64]	.160 [4.06]	.750-20 UNEF	2.406 [61.11]	2.752 [69.90]	.938 [23.83]	1.094 [27.79]	.765 [19.43]	.875-01P-0.2L-DS	5.00 [127.00]
2	18	.605 [15.37]	.511 [12.98]	1.125-18 UNEF	5.188 [131.78]	3.712 [94.28]	1.312 [33.32]	1.469 [37.31]	.980 [24.89]	1.250-01P-0.2L-DS	5.00 [127.00]
3	18	.530 [13.46]	.436 [11.07]	1.125-18 UNEF	4.688 [119.08]	3.712 [94.28]	1.312 [33.32]	1.469 [37.31]	.980 [24.89]	1.250-01P-0.2L-DS	5.00 [127.00]
4	18	.375 [9.52]	.306 [7.77]	1.125-18 UNEF	3.844 [97.64]	3.502 [88.95]	1.312 [33.32]	1.469 [37.31]	.980 [24.89]	1.250-01P-0.2L-DS	5.00 [127.00]
5	18	.281 [7.14]	.219 [5.56]	1.125-18 UNEF	2.844 [72.24]	3.471 [88.16]	1.312 [33.32]	1.469 [37.31]	.980 [24.89]	1.250-01P-0.2L-DS	5.00 [127.00]
6	20	.699 [17.75]	.605 [15.37]	1.250-18 UNEF	6.188 [157.18]	4.024 [102.21]	1.438 [36.53]	1.562 [39.67]	.980 [24.89]	1.375-01P-0.2L-DS	5.00 [127.00]
7	20	.605 [15.37]	.511 [12.98]	1.250-18 UNEF	5.188 [131.78]	3.841 [97.56]	1.438 [36.53]	1.562 [39.67]	.980 [24.89]	1.375-01P-0.2L-DS	5.00 [127.00]
8	20	.455 [11.56]	.361 [9.17]	1.250-18 UNEF	4.188 [106.38]	4.024 [102.21]	1.438 [36.53]	1.562 [39.67]	.980 [24.89]	1.375-01P-0.2L-DS	5.00 [127.00]
9	22	.828 [21.03]	.715 [18.16]	1.375-18 UNEF	6.688 [169.88]	4.087 [103.81]	1.562 [39.67]	1.688 [42.88]	.980 [24.89]	1.500-01P-0.2L-DS	6.00 [152.40]
10	22	.562 [14.27]	.449 [11.40]	1.375-18 UNEF	5.188 [131.78]	4.087 [103.81]	1.562 [39.67]	1.688 [42.88]	.980 [24.89]	1.500-01P-0.2L-DS	6.00 [152.40]
11	22	.405 [10.29]	.316 [8.03]	1.375-18 UNEF	3.688 [93.68]	3.841 [97.56]	1.562 [39.67]	1.688 [42.88]	.980 [24.89]	1.500-01P-0.2L-DS	6.00 [152.40]
12	24	.805 [20.45]	.692 [17.58]	1.625-18 UNEF	6.688 [169.88]	4.150 [105.41]	1.812 [46.02]	1.938 [49.23]	.980 [24.89]	1.750-01P-0.2L-DS	6.00 [152.40]

Dimensions in brackets [] are in millimeters.



ADAPT SIZE NO.	SIZE	CABLE RANGE		A THREAD CLASS 2B-LH	B APPROX. FREE LENGTH	C MAX.	ØD +.010 -.020 [+0.25 -0.51]	ØE MAX.	F MAX.	G THREAD CLASS 2 (A OR B)	H WITHIN ONE LINK
		MAX.	MIN.								
13	24	.750 [19.05]	.637 [16.18]	1.625-18 UNEF	6.688 [169.88]	4.150 [105.41]	1.812 [46.02]	1.938 [49.23]	.980 [24.89]	1.750-01P-0.2L-DS	6.00 [152.40]
14	24	.630 [16.00]	.517 [13.13]	1.625-18 UNEF	5.688 [144.48]	4.150 [105.41]	1.812 [46.02]	1.938 [49.23]	.980 [24.89]	1.750-01P-0.2L-DS	6.00 [152.40]
15	28	1.109 [28.17]	.984 [24.99]	1.875-16 UN	7.688 [195.28]	4.212 [106.98]	2.062 [52.37]	2.219 [56.36]	.980 [24.89]	2.000-01P-0.2L-DS	6.00 [152.40]
16	28	1.000 [25.40]	.875 [22.22]	1.875-16 UN	7.188 [182.58]	4.212 [106.98]	2.062 [52.37]	2.219 [56.36]	.980 [24.89]	2.000-01P-0.2L-DS	6.00 [152.40]
17	28	.880 [22.35]	.755 [19.18]	1.875-16 UN	6.688 [169.88]	4.212 [106.98]	2.062 [52.37]	2.219 [56.36]	.980 [24.89]	2.000-01P-0.2L-DS	6.00 [152.40]
18	28	.750 [19.05]	.637 [16.18]	1.875-16 UN	6.688 [169.88]	4.150 [105.41]	2.062 [52.37]	2.219 [56.36]	.980 [24.89]	2.000-01P-0.2L-DS	6.00 [152.40]
19	28	.680 [17.27]	.567 [14.40]	1.875-16 UN	6.688 [169.88]	4.150 [105.41]	2.062 [52.37]	2.219 [56.36]	.980 [24.89]	2.000-01P-0.2L-DS	6.00 [152.40]
20	28	.530 [13.46]	.436 [11.07]	1.875-16 UN	4.688 [119.08]	3.966 [100.74]	2.062 [52.37]	2.219 [56.36]	.980 [24.89]	2.000-01P-0.2L-DS	6.00 [152.40]
21	28	.375 [9.52]	.306 [7.77]	1.875-16 UN	3.844 [97.64]	3.799 [96.49]	2.062 [52.37]	2.219 [56.36]	.980 [24.89]	2.000-01P-0.2L-DS	6.00 [152.40]
22	32	1.230 [31.24]	1.105 [28.07]	2.062-16 UN	8.188 [207.98]	4.275 [108.58]	2.312 [58.72]	2.469 [62.71]	.980 [24.89]	2.250-01P-0.2L-DS	6.00 [152.40]
23	32	1.130 [28.70]	1.005 [25.53]	2.062-16 UN	7.188 [182.58]	4.275 [108.58]	2.312 [58.72]	2.469 [62.71]	.980 [24.89]	2.250-01P-0.2L-DS	6.00 [152.40]
24	32	1.055 [26.80]	.930 [23.62]	2.062-16 UN	7.688 [195.28]	4.212 [106.98]	2.312 [58.72]	2.469 [62.71]	.980 [24.89]	2.250-01P-0.2L-DS	6.00 [152.40]
25	32	.970 [24.64]	.857 [21.77]	2.062-16 UN	7.188 [182.58]	4.150 [105.41]	2.312 [58.72]	2.469 [62.71]	.980 [24.89]	2.250-01P-0.2L-DS	6.00 [152.40]
26	32	.880 [22.35]	.755 [19.18]	2.062-16 UN	6.688 [169.88]	4.212 [106.98]	2.312 [58.72]	2.469 [62.71]	.980 [24.89]	2.250-01P-0.2L-DS	6.00 [152.40]
27	32	.750 [19.05]	.637 [16.18]	2.062-16 UN	6.688 [169.88]	4.150 [105.41]	2.312 [58.72]	2.469 [62.71]	.980 [24.89]	2.250-01P-0.2L-DS	6.00 [152.40]
28	32	.530 [13.46]	.436 [11.07]	2.062-16 UN	4.688 [119.08]	3.966 [100.74]	2.312 [58.72]	2.469 [62.71]	.980 [24.89]	2.250-01P-0.2L-DS	6.00 [152.40]
29	32	.375 [9.52]	.306 [7.77]	2.062-16 UN	3.844 [97.64]	3.846 [97.69]	2.312 [58.72]	2.469 [62.71]	.980 [24.89]	2.250-01P-0.2L-DS	6.00 [152.40]
30	36	1.445 [36.70]	1.320 [33.53]	2.312-16 UN	9.688 [246.08]	4.337 [110.16]	2.562 [65.07]	2.719 [69.06]	.980 [24.89]	2.500-01P-0.2L-DS	6.00 [152.40]
31	36	1.375 [34.92]	1.250 [31.75]	2.312-16 UN	9.688 [246.08]	4.337 [110.16]	2.562 [65.07]	2.719 [69.06]	.980 [24.89]	2.500-01P-0.2L-DS	6.00 [152.40]
32	36	1.310 [33.27]	1.185 [30.10]	2.312-16 UN	8.688 [220.68]	4.275 [108.58]	2.562 [65.07]	2.719 [69.06]	.980 [24.89]	2.500-01P-0.2L-DS	6.00 [152.40]
33	36	1.230 [31.24]	1.105 [28.07]	2.312-16 UN	8.188 [207.98]	4.275 [108.58]	2.562 [65.07]	2.719 [69.06]	.980 [24.89]	2.500-01P-0.2L-DS	6.00 [152.40]
34	36	1.180 [29.97]	1.055 [26.80]	2.312-16 UN	8.188 [207.98]	4.275 [108.58]	2.562 [65.07]	2.719 [69.06]	.980 [24.89]	2.500-01P-0.2L-DS	6.00 [152.40]
35	36	1.109 [28.17]	.984 [24.99]	2.312-16 UN	7.688 [195.28]	4.212 [106.98]	2.562 [65.07]	2.719 [69.06]	.980 [24.89]	2.500-01P-0.2L-DS	6.00 [152.40]
36	36	.970 [24.64]	.857 [21.77]	2.312-16 UN	7.188 [182.58]	4.154 [105.51]	2.562 [65.07]	2.719 [69.06]	.980 [24.89]	2.500-01P-0.2L-DS	6.00 [152.40]
37	40	1.940 [49.28]	1.815 [46.10]	2.625-16 UN	13.688 [347.68]	5.673 [144.09]	2.875 [73.02]	2.969 [75.41]	.980 [24.89]	2.750-01P-0.2L-DS	6.00 [152.40]
38	40	1.825 [46.35]	1.700 [43.18]	2.625-16 UN	13.688 [347.68]	5.673 [144.09]	2.875 [73.02]	2.969 [75.41]	.980 [24.89]	2.750-01P-0.2L-DS	6.00 [152.40]
39	40	1.730 [43.94]	1.605 [40.77]	2.625-16 UN	13.688 [347.68]	5.673 [144.09]	2.875 [73.02]	2.969 [75.41]	.980 [24.89]	2.750-01P-0.2L-DS	6.00 [152.40]
40	40	1.656 [42.06]	1.531 [38.89]	2.625-16 UN	12.688 [322.28]	5.373 [136.47]	2.875 [73.02]	2.969 [75.41]	.980 [24.89]	2.750-01P-0.2L-DS	6.00 [152.40]
41†	44	2.000 [50.80]	1.867 [47.42]	2.875-16 UN	14.188 [360.38]	5.673 [144.09]	3.125 [79.37]	3.217 [81.71]	.980 [24.89]	3.000-01P-0.2L-DS	6.00 [152.40]
42†	44	1.900 [48.26]	1.775 [45.08]	2.875-16 UN	13.688 [347.68]	4.594 [116.69]	3.125 [79.37]	3.217 [81.71]	.980 [24.89]	3.000-01P-0.2L-DS	6.00 [152.40]

Dimensions in brackets [] are in millimeters.

† Applicable to M85049/5 only, not MS90570.

5L

M85049/59

STEP-DOWN ADAPTER WITH STRAIN RELIEF

SUPERSEDES MS90568*

B049AK59*

FOR MIL-DTL-22992 CLASS C, J AND R

M85049/59 C 12

MS90568 N 12

B049AK59 C 12

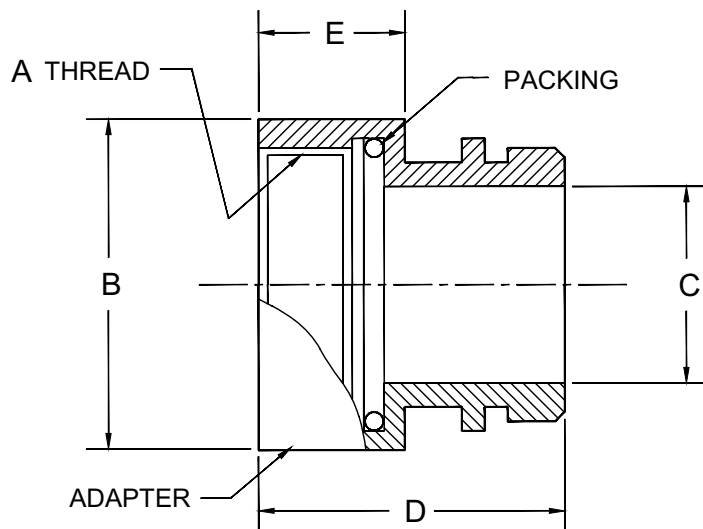
MIL SPEC

ADAPTER SIZE

FINISH

See Dimension Table below.

MS90568	M85049	FINISH
C	W	Conductive Cadmium Olive Drab over suitable underplate, 1000 hr. Salt Spray
N	A	Non-conductive, Hard anodize
-	T	Nickel Fluorocarbon Polymer
-	Z	Zinc Nickel, Black



ADAPTER SIZE	PACKAGING PERFORMED	A THREAD CLASS 2B-LH	B ±.010 [±0.25]	ØC ±.031 [±0.79]	D ±.031 [±0.79]	E ±.016 [±0.41]
12	MS9021-017	.7500-20 UNEF	.923 [23.44]	.500 [12.70]	1.175 [29.84]	.479 [12.17]
14	MS9021-019	.8750-20 UNEF	1.047 [26.59]	.656 [16.66]	1.175 [29.84]	.479 [12.17]
16	MS9021-021	1.0000-20 UNEF	1.172 [29.77]	.813 [20.65]	1.175 [29.84]	.479 [12.17]
18	MS9021-023	1.1250-18 UNEF	1.297 [32.94]	.938 [23.83]	1.175 [29.84]	.479 [12.17]
20	MS9021-025	1.2500-18 UNEF	1.422 [36.12]	1.063 [27.00]	1.175 [29.84]	.479 [12.17]
22	MS9021-027	1.3750-18 UNEF	1.547 [39.29]	1.188 [30.18]	1.175 [29.84]	.479 [12.17]
24	MS9021-030	1.6250-18 UNEF	1.787 [45.39]	1.312 [33.32]	1.175 [29.84]	.479 [12.17]
28	MS9021-032	1.8750-16 UN	2.047 [51.99]	1.500 [38.10]	1.175 [29.84]	.479 [12.17]
32	MS9021-033	2.0625-16 UN	2.297 [58.34]	1.800 [45.72]	1.175 [29.84]	.479 [12.17]
36	MS9021-035	2.3125-16 UN	2.547 [64.69]	2.000 [50.80]	1.175 [29.84]	.479 [12.17]
40	MS9021-038	2.6250-16 UN	2.859 [72.62]	2.250 [57.15]	1.375 [34.92]	.667 [16.94]
44	MS9021-040	2.8750-16 UN	3.110 [78.99]	2.459 [62.46]	2.857 [72.57]	2.982 [75.74]

Dimensions in brackets [] are in millimeters.



MS18062

DUMMY RECEPTACLE

SCP18062

DRP02

FOR MIL-DTL-22992 CLASS C, J OR R

MATES WITH MS17344 PLUG

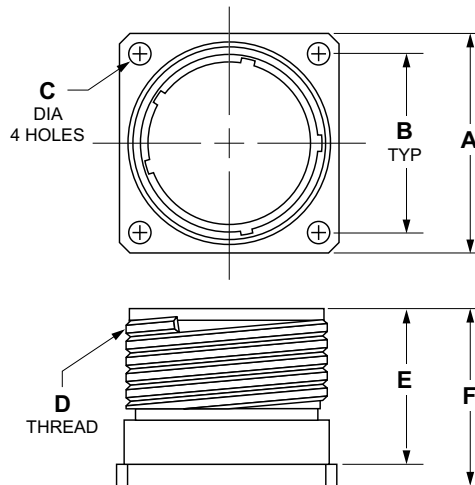
Military **MS18062** C 22
 Spacecraft **SCP18062** C 22

SPECIFICATION DESIGNATOR — **SHELL SIZE**
 See Dimension Table below.

FINISH
C Conductive, Olive Drab.
N Non-Conductive, Hard anodize.
T Nickel Fluorocarbon Polymer.
Z Zinc Nickel, Black.

MATERIAL: Aluminum.

DRP 02 A 22 0
SERIES PREFIX — **MODIFICATION**
Blank No modification.
 Consult factory for codes.
MATING CONNECTOR — **SERIES CODE**
FINISH — **GASKET MATERIAL**
 See Table I on Page 5L-38.
 See Table III on Page 5L-38.
SHELL SIZE —
 See Table below.



SHELL SIZE	A +.021 -.020 [+0.53 -0.51]	B	C ±.005 [±0.13]	D THREAD CLASS 2A	E +.010 -.000 [+0.25 -0.00]	F +.021 -.010 [+0.53 -0.25]
12	1.188 [30.18]	.906 [23.01]	.150 [3.81]	.8750-0.1P-0.2L-DS	.797 [20.24]	.938 [23.83]
14	1.281 [32.54]	.969 [24.61]	.150 [3.81]	1.000-0.1P-0.2L-DS	.797 [20.24]	.938 [23.83]
16	1.375 [34.92]	1.062 [26.97]	.150 [3.81]	1.1250-0.1P-0.2L-DS	.797 [20.24]	.938 [23.83]
18	1.500 [38.10]	1.156 [29.36]	.177 [4.50]	1.2500-0.1P-0.2L-DS	.797 [20.24]	.953 [24.21]
20	1.625 [41.27]	1.250 [31.75]	.177 [4.50]	1.3750-0.1P-0.2L-DS	.797 [20.24]	.953 [24.21]
22	1.750 [44.45]	1.375 [34.92]	.177 [4.50]	1.5000-0.1P-0.2L-DS	.797 [20.24]	.953 [24.21]
24	2.000 [50.80]	1.562 [39.67]	.177 [4.50]	1.7500-0.1P-0.2L-DS	.859 [21.82]	1.047 [26.59]
28	2.250 [57.15]	1.750 [44.45]	.177 [4.50]	2.0000-0.1P-0.2L-DS	.859 [21.82]	1.047 [26.59]
32	2.500 [63.50]	1.938 [49.23]	.209 [5.31]	2.2500-0.1P-0.2L-DS	.922 [23.42]	1.110 [28.19]
36	2.750 [69.85]	2.188 [55.58]	.209 [5.31]	2.5000-0.1P-0.2L-DS	.922 [23.42]	1.110 [28.19]
40	3.000 [76.20]	2.375 [60.32]	.209 [5.31]	2.7500-0.1P-0.2L-DS	.922 [23.42]	1.110 [28.19]
44	3.250 [82.55]	2.625 [66.67]	.209 [5.31]	3.0000-0.1P-0.2L-DS	.922 [23.42]	1.109 [28.17]

Dimensions in brackets [] are in millimeters.

MS17349

METAL DUST CAP FOR RECEPTACLE

SCP17349

DCR02

FOR MIL-DTL-22992 CLASS C, J OR R

Military **MS17349** C 20 A
 Spacecraft **SCP17349** C 20 A

SPECIFICATION DESIGNATOR ————
FINISH ————
STYLE ————
SHELL SIZE ————
MATERIAL: Cap - Aluminum alloy.
 Gasket/disk - Neoprene rubber.
 Chain - Stainless steel.

C Cadmium, conductive, olive drab.
N Hard anodize, nonconductive, gray/black.
P Pure dense electrodeposited aluminum, conductive, nonreflective.
T Nickel fluorocarbon polymer, conductive, nonreflective.
Z Zinc nickel, conductive, nonreflective.

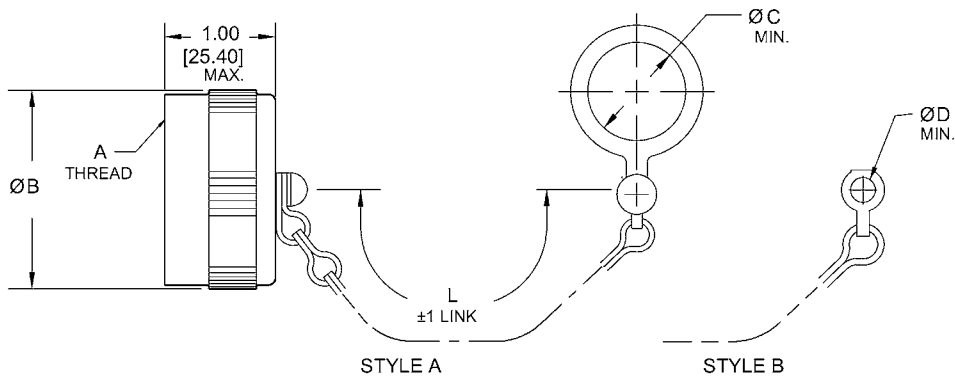
A For use on MS17345, MS17347 & MS17348.
B For use on MS17343 & MS17346.

See Dimension Table below.

DCR 02 A 20 S C 08 - 04

DUST CAP STYLE ————
MATING CONNECTOR SERIES CODE ————
FINISH ————
SHELL SIZE ————
GASKET MATERIAL ————
END FITTING DESIGNATION ————
LENGTH OF ATTACHMENT (±.250) ————
ATTACHMENT CODE ————

See Table I on Page 5L-38.
 See Tables below.
 See Table III on Page 5L-38.
 See Tables IV & V on Page 5L-38.
 Designate in 1/2" increments (Always use two digits. i.e., 08=4 inches, 12=6 inches, etc.)
 See Table II on Page 5L-38.



SHELL SIZE	A THREAD CLASS 2A	B MAX.	ØC MIN.	ØD MIN.	L ±1 LINK
12	.875-0.1P-0.2L-DS	1.094 [27.79]	1.106 [28.09]	.150 [3.81]	5.00 [127.00]
14	1.000-0.1P-0.2L-DS	1.219 [30.96]	1.141 [28.98]	.150 [3.81]	5.00 [127.00]
16	1.125-0.1P-0.2L-DS	1.344 [34.14]	1.266 [32.16]	.150 [3.81]	5.00 [127.00]
18	1.250-0.1P-0.2L-DS	1.469 [37.31]	1.391 [35.33]	.177 [4.49]	5.00 [127.00]
20	1.375-0.1P-0.2L-DS	1.562 [39.67]	1.516 [38.51]	.177 [4.49]	5.00 [127.00]
22	1.500-0.1P-0.2L-DS	1.688 [42.88]	1.641 [41.68]	.177 [4.49]	6.00 [152.40]
24	1.750-0.1P-0.2L-DS	1.938 [49.23]	1.891 [48.03]	.177 [4.49]	6.00 [152.40]
28	2.000-0.1P-0.2L-DS	2.219 [56.36]	2.141 [54.38]	.177 [4.49]	6.00 [152.40]
32	2.250-0.1P-0.2L-DS	2.469 [62.71]	2.391 [60.73]	.177 [4.49]	6.00 [152.40]
36	2.500-0.1P-0.2L-DS	2.719 [69.06]	2.641 [67.08]	.199 [5.05]	6.00 [152.40]
40	2.750-0.1P-0.2L-DS	2.969 [75.41]	2.891 [73.43]	.199 [5.05]	6.00 [152.40]
44	3.000-0.1P-0.2L-DS	3.219 [81.76]	3.141 [79.78]	.199 [5.05]	6.00 [152.40]

Dimensions in brackets [] are in millimeters.



FOR MIL-DTL-22992 CLASS C, J OR R

Military **MS17350 C 20**
 Spacecraft **SCP17350 C 20**

SPECIFICATION DESIGNATOR

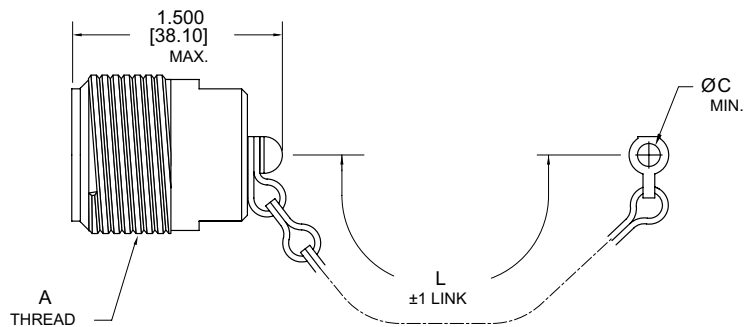
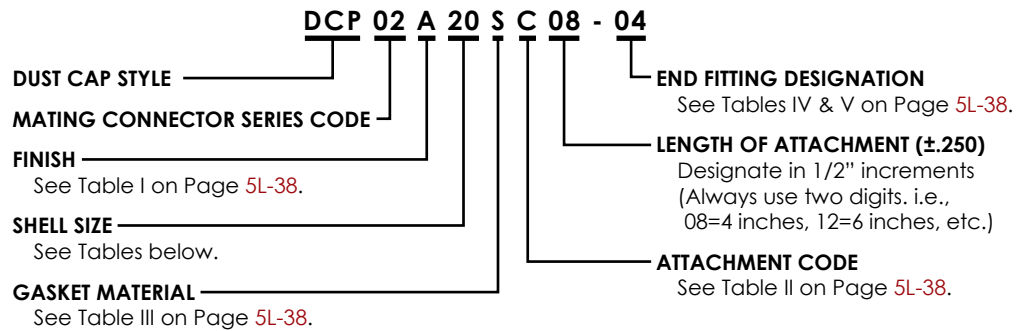
SHELL SIZE

See Dimension Table below.

FINISH

- C** Cadmium, conductive, olive drab.
- N** Hard anodize, nonconductive, gray/black.
- P** Pure dense electrodeposited aluminum, conductive, nonreflective.
- T** Nickel fluorocarbon polymer, conductive, nonreflective.
- Z** Zinc nickel, conductive, nonreflective.

MATERIAL: Cap - Aluminum alloy.
 Chain - Stainless steel.



SHELL SIZE	A THREAD CLASS 2A	B MAX.	ØC MIN.	L ±1 LINK
12	.875-0.1P-0.2L-DS	.906 [23.01]	.150 [3.81]	5.00 [127.00]
14	1.000-0.1P-0.2L-DS	1.031 [26.19]	.150 [3.81]	5.00 [127.00]
16	1.125-0.1P-0.2L-DS	1.156 [29.36]	.150 [3.81]	5.00 [127.00]
18	1.250-0.1P-0.2L-DS	1.281 [32.54]	.177 [4.50]	5.00 [127.00]
20	1.375-0.1P-0.2L-DS	1.406 [35.71]	.177 [4.50]	5.00 [127.00]
22	1.500-0.1P-0.2L-DS	1.531 [38.89]	.177 [4.50]	6.00 [152.40]
24	1.750-0.1P-0.2L-DS	1.781 [45.24]	.177 [4.50]	6.00 [152.40]
28	2.000-0.1P-0.2L-DS	2.031 [51.59]	.177 [4.50]	6.00 [152.40]
32	2.250-0.1P-0.2L-DS	2.281 [57.94]	.199 [5.05]	6.00 [152.40]
36	2.500-0.1P-0.2L-DS	2.531 [64.29]	.199 [5.05]	6.00 [152.40]
40	2.750-0.1P-0.2L-DS	2.781 [70.64]	.199 [5.05]	6.00 [152.40]
44	3.000-0.1P-0.2L-DS	—	.199 [5.05]	6.00 [152.40]

Dimensions in brackets [] are in millimeters.

DUST CAPS & DUMMY RECEPTACLES

FINISH, ATTACHMENT & GASKET CODES

TABLE I. FINISH CODES

CONSULT FACTORY FOR OTHER AVAILABLE FINISHES

Spacecraft Code	Finish	Specification(s)
H	Anodize, Black	AMS-A-8625, Type II, Class 2
B	Cadmium Plate, Black	AMS-QQ-P-416, Type II, Class 3
X	Cadmium Plate, Bright Over Electroless Nickel	AMS-QQ-P-416, Type I, Class 3 ASTMB 733-90, SC2, Type I, Class 5 over AMS-C-26074, Class 4, Grade B
E	Cadmium Plate, Gold Iridite, Over Electroless Nickel	MIL-C-5541, Class 3 AMS-QQ-P-416, Type II, Class 3 over AMS-C-26074, Class 4, Grade B
C	Cadmium Plate, Olive Drab	AMS-QQ-P-416, Type II, Class 3, 48 Hours
A	Cadmium Plate, Olive Drab Over Electroless Nickel	1000 Hour Corrosion Resistance
N	Electroless Nickel	AMS-C-26074, Class 4, Grade B
L	Zinc Cobalt, Dark Olive Drab	96 Hour Corrosion Resistance
P	Passivated, Stainless Steel	AMS-QQ-P-35
T	Nickel, Fluorocarbon Polymer	500 Hour Corrosion Resistance
W	Zinc Nickel, Black	ASTM B841 Type D

TABLE II. ATTACHMENT CODES

Attachment Code	Description
A	No Attachment Required
B	Bead Chain, Brass, Nickel Plated
C	Sash Chain, SST, Passivated
D	Bead Chain, SST, Passivated
E	Bead Chain, Brass, Cadmium, Olive Drab Plated
F	Bead Chain, Brass, Unfinished
I	Bead Chain, Brass, Black Oxide Finish
N	Wire Rope, No Jacket
P	Wire Rope, Polyurethane Jacket with Terminal
R	Wire Rope, SST, PVC Covered, Green Color
T	Wire Rope, SST, Teflon Covered, Natural Cover
U	Wire Rope, SST, Nylon Covered, Brown Color
V	Wire Rope, SST, Viton Covered, Black Color
W	Nylon Cord, Green Color, SST Terminal

TABLE III. GASKET MATERIAL CODES

Material Code	Material Description
A	Fluorosilicone, Blue
N	Neoprene, Black, MIL-R-3065
O	None Required
S	Silicone, Red, ZZ-R-765
C	Conductive Silicone

TABLE IV. EYELET END FITTING STYLES AND SIZES (NOT USED WITH ATTACHMENT CODE A)

Dash No. Code	Y Ref. Dia.
00	No Eyelet
01	.125
02	.141
03	.167
04	.188
05	.219
06	.250
07	.156
08	.121

USED WITH ATTACHMENT CODES:

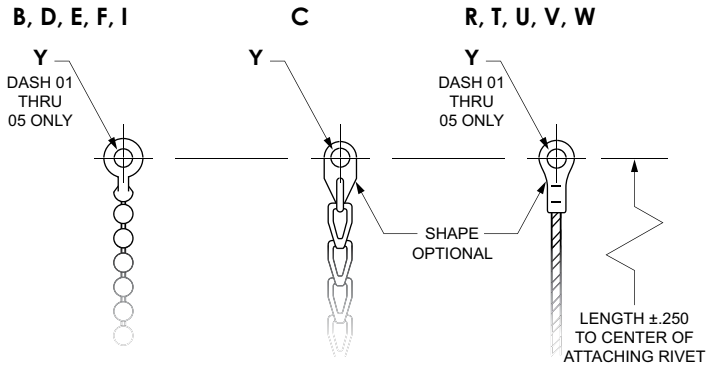
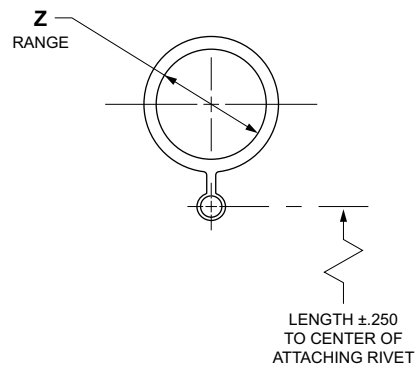


TABLE V. RING END FITTING SIZES (NOT USED WITH ATTACHMENT CODE A)

Z RANGE	DASH NO. CODE	Z RANGE	DASH NO. CODE	Z RANGE	DASH NO. CODE
.401 - .391	33	1.276 - 1.266	42	2.088 - 2.078	47
.454 - 444	34	1.322 - 1.302	17	2.151 - 2.141	25
.464 - .454	35	1.401 - 1.391	43	2.275 - 2.265	48
.526 - .516	36	1.448 - 1.428	18	2.276 - 2.266	26
.604 - .584	11	1.546 - 1.536	44	2.338 - 2.328	27
.651 - .641	37	1.572 - 1.552	19	2.401 - 2.391	28
.729 - .709	12	1.651 - 1.641	45	2.520 - 2.510	49
.885 - .865	13	1.698 - 1.678	20	2.526 - 2.516	29
.906 - .896	40	1.776 - 1.766	46	2.651 - 2.641	30
.948 - .918	14	1.822 - 1.802	21	2.901 - 2.891	31
1.072 - 1.052	15	1.948 - 1.928	22	3.026 - 3.016	32
1.151 - 1.141	41	2.026 - 2.016	23		
1.198 - 1.178	16	2.088 - 2.078	24		

USED WITH ATTACHMENT CODES: B THRU W



SECTION 6L

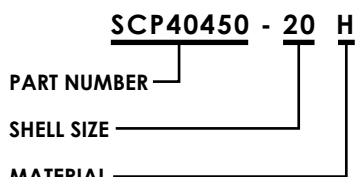
GASKETS FOR FLANGE MOUNT RECEPTACLES

6L

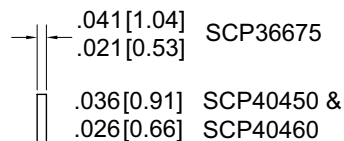
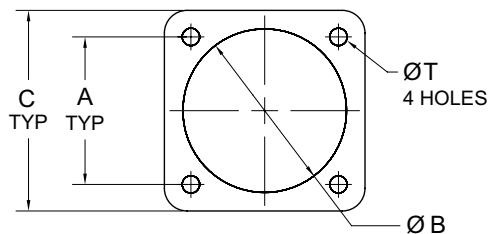
GASKETS FOR FLANGE MOUNT RECEPTACLES

MIL-DTL-22992

SCP36675, SCP40450, M85049/130



- BLANK** Neoprene 80 shore.
F Silicone.
FS Silicone with shielded wire mesh.
H Halogen-free.
S Shielded, wire mesh.



MIL-DTL-22992 SERIES SHELL TYPES: SCP17343, SCP17346 FRONT PANEL MOUNT

SIZE	PART NUMBER (-67°F to -278°F)	PART NUMBER (0°F to +257°F) NOTE 2	A ±.010	B +.016 -.000	C +.016 -.000	ØT ±.010	ALTERNATE PART #	M85049 /130
12	SCP36675-14	SCP40450-14	.906 [23.01]	.875 [22.23]	1.188 [30.18]	.172 [4.37]	930-1490-XXX	-
14	SCP36675-16	SCP40450-16	.969 [24.60]	1.000 [25.40]	1.281 [32.54]	.172 [4.37]	930-1690-XXX	-
16	SCP36675-18	SCP40450-18	1.062 [27.00]	1.125 [28.58]	1.375 [34.93]	.203 [5.16]	930-1890-XXX	-
18	SCP36675-20	SCP40450-20	1.156 [29.36]	1.250 [31.75]	1.500 [38.10]	.203 [5.16]	930-2090-XXX	-
20	SCP36675-22	SCP40450-22	1.250 [31.75]	1.375 [34.93]	1.625 [41.28]	.203 [5.16]	930-2290-XXX	-
22	SCP36675-24	SCP40450-24	1.375 [34.93]	1.500 [38.10]	1.750 [44.45]	.203 [5.16]	930-2490-XXX	-
24	SCP36675-28	SCP40450-28	1.563 [39.70]	1.750 [44.45]	2.000 [50.80]	.203 [5.16]	930-2890-XXX	-36
28	SCP36675-32	SCP40450-32	1.750 [44.45]	2.000 [50.80]	2.250 [57.15]	.219 [5.56]	930-3290-XXX	-40
32	SCP36675-36	SCP40450-36	1.938 [49.23]	2.188 [55.58]	2.500 [63.50]	.219 [5.56]	930-3690-XXX	-
36	SCP36675-40	SCP40450-40	2.188 [55.58]	2.438 [61.93]	2.750 [69.85]	.219 [5.56]	930-4090-XXX	-
40	SCP36675-44	SCP40450-44	2.375 [60.33]	2.688 [68.28]	3.000 [76.20]	.219 [5.56]	930-4490-XXX	-
44	SCP36675-48	SCP40450-48	2.625 [66.68]	2.938 [74.63]	3.250 [82.55]	.219 [5.56]	930-4890-XXX	-

- Dimensions in brackets [] are in millimeters.
- For shielding add "S" after the part number.
- For silicone material add "FS" after part number.



SECTION 7L

CATALOG INDEX

7L



CROSS REFERENCE/INDEX

B049AK3★A1	Straight Adapter with Cable Clamp	.5L-2
B049AK3★A2	Straight Adapter with Cable Clamp	.5L-4
B049AK3★A3	Straight Adapter with Strain Relief	.5L-5
B049AK3★B1	Straight Adapter with Cable Clamp	.5L-7
B049AK3★B2	Straight Adapter with Cable Clamp	.5L-9
B049AK3★B3	Straight Adapter with Strain Relief	.5L-10
B049AK4★A1	Straight Adapter with Cable Clamp	.5L-12
B049AK4★A2	Straight Adapter with Cable Clamp	.5L-14
B049AK4★A3	Straight Adapter with Strain Relief	.5L-15
B049AK4★B1	Straight Adapter with Cable Clamp	.5L-17
B049AK4★B2	Straight Adapter with Cable Clamp	.5L-19
B049AK4★B3	Straight Adapter with Strain Relief	.5L-20
B049AK5★A1	Straight Adapter with Cable Clamp	.5L-22
B049AK5★A2	Straight Adapter with Cable Clamp	.5L-24
B049AK5★A3	Straight Adapter with Strain Relief	.5L-26
B049AK5★B1	Straight Adapter with Cable Clamp	.5L-28
B049AK5★B2	Straight Adapter with Cable Clamp	.5L-30
B049AK5★B3	Straight Adapter with Strain Relief	.5L-32
B049AK59-★	Shrinkboot Adapter	.5L-34
M22520/1-01	Crimp Tool Frame	.4L-9
M85049/3★A1	Straight Adapter with Cable Clamp	.5L-2
M85049/3★A2	Straight Adapter with Cable Clamp	.5L-4
M85049/3★A3	Straight Adapter with Strain Relief	.5L-5
M85049/3★B1	Straight Adapter with Cable Clamp	.5L-7
M85049/3★B2	Straight Adapter with Cable Clamp	.5L-9
M85049/3★B3	Straight Adapter with Strain Relief	.5L-10
M85049/4★A1	Straight Adapter with Cable Clamp	.5L-12
M85049/4★A2	Straight Adapter with Cable Clamp	.5L-14
M85049/4★A3	Straight Adapter with Strain Relief	.5L-15
M85049/4★B1	Straight Adapter with Cable Clamp	.5L-17
M85049/4★B2	Straight Adapter with Cable Clamp	.5L-19
M85049/4★B3	Straight Adapter with Strain Relief	.5L-20
M85049/5★A1	Straight Adapter with Cable Clamp	.5L-22
M85049/5★A2	Straight Adapter with Cable Clamp	.5L-24
M85049/5★A3	Straight Adapter with Strain Relief	.5L-26
M85049/5★B1	Straight Adapter with Cable Clamp	.5L-28
M85049/5★B2	Straight Adapter with Cable Clamp	.5L-30
M85049/5★B3	Straight Adapter with Strain Relief	.5L-32
M85049/59-★	Shrinkboot Adapter	.5L-34
MS3191★	Crimp Tool Frame	.4L-9
MS17340★★A	Straight Adapter with Strain Relief	.5L-5
MS17340★★A1	Straight Adapter with Cable Clamp	.5L-2
MS17340★★A2	Straight Adapter with Cable Clamp	.5L-4
MS17340★★A2	Straight Adapter with Cable Clamp	.5L-14
MS17340★★B1	Straight Adapter with Cable Clamp	.5L-7
MS17340★★B2	Straight Adapter with Cable Clamp	.5L-9
MS17341★★A	Straight Adapter with Strain Relief	.5L-26
MS17341★★A1	Straight Adapter with Cable Clamp	.5L-22
MS17341★★A2	Straight Adapter with Cable Clamp	.5L-24
MS17341★★B	Straight Adapter with Strain Relief	.5L-32
MS17341★★B1	Straight Adapter with Cable Clamp	.5L-28
MS17341★★B2	Straight Adapter with Cable Clamp	.5L-30
MS17342★★A1	Straight Adapter with Cable Clamp	.5L-12
MS17342★★B1	Straight Adapter with Cable Clamp	.5L-17
MS17342★★B2	Straight Adapter with Cable Clamp	.5L-19
MS17343C★C★	MIL-DTL-22992 Mount Receptacle (SCP17343C★C★)	.1L-4
MS17343C★N★	MIL-DTL-22992 Wall Mount Receptacle (SCP17343C★N★)	.1L-4
MS17343R★C★	MIL-DTL-22992 Wall Mount Receptacle (SCP17343R★C★)	.1L-4
MS17343R★N★	MIL-DTL-22992 Wall Mount Receptacle (SCP17343R★N★)	.1L-4
MS17344C★C★	MIL-DTL-22992 Straight Plug (SCP17344C★C★)	.1L-5
MS17344C★N★	MIL-DTL-22992 Straight Plug (SCP17344C★N★)	.1L-5
MS17344R★C★	MIL-DTL-22992 Straight Plug (SCP17344R★C★)	.1L-5
MS17344R★N★	MIL-DTL-22992 Straight Plug (SCP17344R★N★)	.1L-5
MS17345C★C★	MIL-DTL-22992 In-line Receptacle (SCP17345C★C★)	.1L-6
MS17345C★N★	MIL-DTL-22992 In-line Receptacle (SCP17345C★N★)	.1L-6
MS17345R★C★	MIL-DTL-22992 In-line Receptacle (SCP17345R★C★)	.1L-6
MS17345R★N★	MIL-DTL-22992 In-line Receptacle (SCP17345R★N★)	.1L-6
MS17346C★C★	MIL-DTL-22992 Box Mount Receptacle (SCP17346C★C★)	.1L-7

★ Indicates additional alpha-numeric are required to complete part numbers.
CS Contact our Sales Department for information on this part.



CROSS REFERENCE/INDEX

MS17346C★N★	MIL-DTL-22992 Box Mount Receptacle (SCP17346C★N★)	1L-7
MS17346R★C★	MIL-DTL-22992 Box Mount Receptacle (SCP17346R★C★)	1L-7
MS17346R★N★	MIL-DTL-22992 Box Mount Receptacle (SCP17346R★N★)	1L-7
MS17347C★C★	MIL-DTL-22992 Jam Nut Receptacle (SCP17347C★C★)	1L-8
MS17347C★N★	MIL-DTL-22992 Jam Nut Receptacle (SCP17347C★N★)	1L-8
MS17347R★C★	MIL-DTL-22992 Jam Nut Receptacle (SCP17347R★C★)	1L-8
MS17347R★N★	MIL-DTL-22992 Jam Nut Receptacle (SCP17347R★N★)	1L-8
MS17348C★C★	MIL-DTL-22992 Jam Nut Receptacle (SCP17348C★C★)	1L-9
MS17348C★N★	MIL-DTL-22992 Jam Nut Receptacle (SCP17348C★N★)	1L-9
MS17348R★C★	MIL-DTL-22992 Jam Nut Receptacle (SCP17348R★C★)	1L-9
MS17348R★N★	MIL-DTL-22992 Jam Nut Receptacle (SCP17348R★N★)	1L-9
MS17349-★	Dust Cap for Receptacle	.5L-36
MS17350-★	Dust Cap for Plug	.5L-37
MS18062-★	Dummy Receptacle	.5L-35
MS90569★★A	Straight Adapter with Strain Relief	.5L-15
MS90569★★B	Straight Adapter with Strain Relief	.5L-20
MS90571★★B	Straight Adapter with Strain Relief	.5L-10
R12-2500-★	Pin Contact, Crimp (F80), Size 18	4L-4
R12-3600-★	Pin Contact, Crimp (F80), Size 16	4L-4
R12-3608-★	Pin Contact, Crimp (F80), Size 16	4L-4
R12-3612-★	Pin Contact, Crimp (F80), Size 16	4L-4
R12-3613-★	Pin Contact, Crimp (F80), Size 16	4L-4
R12-3615-★	Pin Contact, Crimp (F80), Size 16	4L-4
R12-3620-★	Pin Contact, Crimp (F80), Size 16	4L-4
R12-3626-★	Pin Contact, Crimp (F80), Size 16	4L-4
R12-4900-★	Pin Contact, Crimp (F80), Size 16S	4L-4
R12-4912-★	Pin Contact, Crimp (F80), Size 16S	4L-4
R12-4913-★	Pin Contact, Crimp (F80), Size 16S	4L-4
R12-4915-★	Pin Contact, Crimp (F80), Size 16S	4L-4
R12-4926-★	Pin Contact, Crimp (F80), Size 16S	4L-4
R12-6400-★	Pin Contact, Crimp (F80), Size 12	4L-4
R12-6408-★	Pin Contact, Crimp (F80), Size 12	4L-4
R12-6412-★	Pin Contact, Crimp (F80), Size 12	4L-4
R12-6415-★	Pin Contact, Crimp (F80), Size 12	4L-4
R12-6420-★	Pin Contact, Crimp (F80), Size 12	4L-4
R12-6422-★	Pin Contact, Crimp (F80), Size 12	4L-4
R12-6430-★	Pin Contact, Crimp (F80), Size 12	4L-4
R12-6431-★	Pin Contact, Crimp (F80), Size 12	4L-4
R12-6438-★	Pin Contact, Crimp (F80), Size 12	4L-4
R12-7900-★	Pin Contact, Crimp (F80), Size 8	4L-5
R12-7915-★	Pin Contact, Crimp (F80), Size 8	4L-5
R12-7918-★	Pin Contact, Crimp (F80), Size 8	4L-5
R12-7926-★	Pin Contact, Crimp (F80), Size 8	4L-5
R12-7930-★	Pin Contact, Crimp (F80), Size 8	4L-5
R12-7950-★	Pin Contact, Crimp (F80), Size 8	4L-5
R12-7958-★	Pin Contact, Crimp (F80), Size 8	4L-5
R12-8500-★	Pin Contact, Crimp (F80), Size 4	4L-5
R12-8522-★	Pin Contact, Crimp (F80), Size 4	4L-5
R12-8525-★	Pin Contact, Crimp (F80), Size 4	4L-5
R12-8526-★	Pin Contact, Crimp (F80), Size 4	4L-5
R12-8530-★	Pin Contact, Crimp (F80), Size 4	4L-5
R12-8535-★	Pin Contact, Crimp (F80), Size 4	4L-5
R12-8550-★	Pin Contact, Crimp (F80), Size 4	4L-5
R12-8562-★	Pin Contact, Crimp (F80), Size 4	4L-5
R12-9200-★	Pin Contact, Crimp (F80), Size 1/0	4L-5
R12-9225-★	Pin Contact, Crimp (F80), Size 1/0	4L-5
R12-9235-★	Pin Contact, Crimp (F80), Size 1/0	4L-5
R12-9245-★	Pin Contact, Crimp (F80), Size 1/0	4L-5
R12-9246-★	Pin Contact, Crimp (F80), Size 1/0	4L-5
R12-9250-★	Pin Contact, Crimp (F80), Size 1/0	4L-5
R12-9275-★	Pin Contact, Crimp (F80), Size 1/0	4L-5
R12-9790-★	Pin Contact, Crimp (F80), Size 4/0	4L-5
R12-9700-★	Pin Contact, Crimp (F80), Size 4/0	4L-5
R12-97115-★	Pin Contact, Crimp (F80), Size 4/0	4L-5
R12-97135-★	Pin Contact, Crimp (F80), Size 4/0	4L-5
R12-9790-★	Pin Contact, Crimp (F80), Size 4/0	4L-5
S12-3800-★	Socket Contact, Solder, Size 16	4L-3
S12-5100-★	Socket Contact, Solder, Size 16S	4L-3

★ Indicates additional alpha- numerics are required to complete part numbers.
CS Contact our Sales Department for information on this part.

CROSS REFERENCE/INDEX

S12-6500-★	Socket Contact, Solder, Size 12	4L-3
S12-7900-★	Socket Contact, Solder, Size 8	4L-3
S12-8500-★	Socket Contact, Solder, Size 4	4L-3
S12-9200-★	Socket Contact, Solder, Size 1/0	4L-3
SCP1940★	Threaded Wall Mount Receptacle	1L-4
SCP1941★	Threaded In-line Receptacle	1L-6
SCP1942★	Threaded Box Mount Receptacle	1L-7
SCP1943★	Threaded Jam Nut Receptacle	1L-8
SCP1946★	Threaded Straight Plug	1L-5
SCP17343★-★	Threaded Wall Mount Receptacle	1L-4
SCP17344★-★	Threaded Straight Plug	1L-5
SCP17345★-★	Threaded In-line Receptacle	1L-6
SCP17346★-★	Threaded Box Mount Receptacle	1L-7
SCP17347★-★	Threaded Jam Nut Receptacle, Wall Mount	1L-8
SCP17348★-★	Threaded Jam Nut Receptacle, Box Mount	1L-9
SCP36675-★	Flange Gasket	6L-2
SCP40450-★	Flange Gasket	6L-2
T12-2500-★	Socket Contact, Crimp (F80), Size 18	4L-6
T12-3600-★	Socket Contact, Crimp (F80), Size 16	4L-6
T12-3608-★	Socket Contact, Crimp (F80), Size 16	4L-6
T12-3612-★	Socket Contact, Crimp (F80), Size 16	4L-6
T12-3613-★	Socket Contact, Crimp (F80), Size 16	4L-6
T12-3615-★	Socket Contact, Crimp (F80), Size 16	4L-6
T12-3620-★	Socket Contact, Crimp (F80), Size 16	4L-6
T12-3626-★	Socket Contact, Crimp (F80), Size 16	4L-6
T12-4900-★	Socket Contact, Crimp (F80), Size 16S	4L-6
T12-4912-★	Socket Contact, Crimp (F80), Size 16S	4L-6
T12-4913-★	Socket Contact, Crimp (F80), Size 16S	4L-6
T12-4915-★	Socket Contact, Crimp (F80), Size 16S	4L-6
T12-4926-★	Socket Contact, Crimp (F80), Size 16S	4L-6
T12-6400-★	Socket Contact, Crimp (F80), Size 12	4L-6
T12-6408-★	Socket Contact, Crimp (F80), Size 12	4L-6
T12-6412-★	Socket Contact, Crimp (F80), Size 12	4L-6
T12-6415-★	Socket Contact, Crimp (F80), Size 12	4L-6
T12-6420-★	Socket Contact, Crimp (F80), Size 12	4L-6
T12-6422-★	Socket Contact, Crimp (F80), Size 12	4L-6
T12-6430-★	Socket Contact, Crimp (F80), Size 12	4L-6
T12-6431-★	Socket Contact, Crimp (F80), Size 12	4L-6
T12-6438-★	Socket Contact, Crimp (F80), Size 12	4L-6
T12-7900-★	Socket Contact, Crimp (F80), Size 8	4L-7
T12-7915-★	Socket Contact, Crimp (F80), Size 8	4L-7
T12-7918-★	Socket Contact, Crimp (F80), Size 8	4L-7
T12-7926-★	Socket Contact, Crimp (F80), Size 8	4L-7
T12-7930-★	Socket Contact, Crimp (F80), Size 8	4L-7
T12-7950-★	Socket Contact, Crimp (F80), Size 8	4L-7
T12-7958-★	Socket Contact, Crimp (F80), Size 8	4L-7
T12-8500-★	Socket Contact, Crimp (F80), Size 4	4L-7
T12-8522-★	Socket Contact, Crimp (F80), Size 4	4L-7
T12-8525-★	Socket Contact, Crimp (F80), Size 4	4L-7
T12-8526-★	Socket Contact, Crimp (F80), Size 4	4L-7
T12-8530-★	Socket Contact, Crimp (F80), Size 4	4L-7
T12-8535-★	Socket Contact, Crimp (F80), Size 4	4L-7
T12-8550-★	Socket Contact, Crimp (F80), Size 4	4L-7
T12-8562-★	Socket Contact, Crimp (F80), Size 4	4L-7
T12-9200-★	Socket Contact, Crimp (F80), Size 1/0	4L-7
T12-9225-★	Socket Contact, Crimp (F80), Size 1/0	4L-7
T12-9235-★	Socket Contact, Crimp (F80), Size 1/0	4L-7
T12-9245-★	Socket Contact, Crimp (F80), Size 1/0	4L-7
T12-9246-★	Socket Contact, Crimp (F80), Size 1/0	4L-7
T12-9250-★	Socket Contact, Crimp (F80), Size 1/0	4L-7
T12-9275-★	Socket Contact, Crimp (F80), Size 1/0	4L-7
T12-9700-★	Socket Contact, Crimp (F80), Size 4/0	4L-7
T12-9715-★	Socket Contact, Crimp (F80), Size 4/0	4L-7
T12-9735-★	Socket Contact, Crimp (F80), Size 4/0	4L-7
T12-9790-★	Socket Contact, Crimp (F80), Size 4/0	4L-7
T98143	Contact Insertion Tool (T117346)	4L-9
T117082	Contact Insertion Tool	4L-9
T117344	Contact Insertion Tool	4L-9

★ Indicates additional alpha-numeric are required to complete part numbers.
 CS Contact our Sales Department for information on this part.



CROSS REFERENCE/INDEX

T117345	Contact Insertion Tool	4L-9
T117346	Contact Insertion Tool	4L-9
T117347	Contact Insertion Tool	4L-9
T117348	Contact Insertion Tool	4L-9
T118249	Removal Tool Kit, Size 18 Contact	4L-9
T118250	Removal Tool Kit, Size 12 & 16 Contact	4L-9
T118260	Removal Tool Kit, Size 8	4L-9
T118270	Removal Tool Kit, Size 4	4L-9
T118280	Contact Removal Tool Kit, Size 1/0	4L-9
T125000	Guide Pin, Size 18 Contact	4L-9
T125001	Guide Pin, Size 16	4L-9
T125002	Guide Pin, Size 12 Contact	4L-9
TH378	Crimp Tool Locator	4L-9
TH379	Crimp Tool Locator	4L-9
300	Crimp Tool	4L-9
314DA-12	Crimp Tool Die	4L-9
314DA-16	Crimp Tool Die	4L-9
314DA-20	Crimp Tool Die	4L-9
400-BHD	Crimp Tool	4L-9
414DA-0N	Crimp Tool Die	4L-9
414DA-0N315	Crimp Tool Die	4L-9
414DA-4N	Crimp Tool Die	4L-9
414DA-4N	Crimp Tool Die	4L-9
414DA-4N215	Crimp Tool Die	4L-9
414DA-6N155	Crimp Tool Die	4L-9
414DA-6N170	Crimp Tool Die	4L-9
414DA-8N142	Crimp Tool Die	4L-9
414DA-10N	Crimp Tool Die	4L-9
414DA-10N096	Crimp Tool Die	4L-9
414DA-10N105	Crimp Tool Die	4L-9
414DA-12N	Crimp Tool Die	4L-9
414DA-12N077	Crimp Tool Die	4L-9
414DA-16N	Crimp Tool Die	4L-9
414DA-18N	Crimp Tool Die	4L-9
414DA-20N	Crimp Tool Die	4L-9
414DA-22N	Crimp Tool Die	4L-9
500-D	Crimp Tool	4L-9
514DA-N345	Crimp Tool Die	4L-9
514DA-N470	Crimp Tool Die	4L-9
514DA-0N	Crimp Tool Die	4L-9
514DA-0N315	Crimp Tool Die	4L-9
514DA-4N	Crimp Tool Die	4L-9
514DA-4N215	Crimp Tool Die	4L-9
514DA-6N155	Crimp Tool Die	4L-9
514DA-6N170	Crimp Tool Die	4L-9
514DA-8N142	Crimp Tool Die	4L-9
514DA-10N	Crimp Tool Die	4L-9
514DA-10N096	Crimp Tool Die	4L-9
514DA-10N105	Crimp Tool Die	4L-9
514DA-12N	Crimp Tool Die	4L-9
514DA-12N077	Crimp Tool Die	4L-9
514DA-16N	Crimp Tool Die	4L-9
514DA-16N048	Crimp Tool Die	4L-9
514DA-18N	Crimp Tool Die	4L-9
514DA-20N	Crimp Tool Die	4L-9
9632	Crimp Tool Locator	4L-9
9633	Crimp Tool Locator	4L-9
9634	Crimp Tool Locator	4L-9
9635	Crimp Tool Locator	4L-9
9636	Crimp Tool Locator	4L-9
9637	Crimp Tool Locator	4L-9
9638	Crimp Tool Locator	4L-9
9639	Crimp Tool Locator	4L-9
9641	Crimp Tool Locator	4L-9
9642	Crimp Tool Locator	4L-9
10627	Crimp Tool Locator	4L-9
10628	Crimp Tool Locator	4L-9
10629	Crimp Tool Locator	4L-9

★ Indicates additional alpha-numeric are required to complete part numbers.

CS Contact our Sales Department for information on this part.

CROSS REFERENCE/INDEX

10630	Crimp Tool Locator	.4L-9
10631	Crimp Tool Locator	.4L-9
10632	Crimp Tool Locator	.4L-9
10633	Crimp Tool Locator	.4L-9
10634	Crimp Tool Locator	.4L-9
10635	Crimp Tool Locator	.4L-9
10636	Crimp Tool Locator	.4L-9
10637	Crimp Tool Locator	.4L-9
10638	Crimp Tool Locator	.4L-9
10639	Crimp Tool Locator	.4L-9
10640	Crimp Tool Locator	.4L-9
10641	Crimp Tool Locator	.4L-9

★ Indicates additional alpha-numeric are required to complete part numbers.
CS Contact our Sales Department for information on this part.





Including additional information on Spacecraft Components, connector education, videos and more.

Get your **FREE** copy by contacting us today!

**All of Our
Catalogs &
Product Brochures
on One Disc!**



**SPACECRAFT
COMPONENTS CORP.**

702-851-7600

www.spacecraft.com

SPACECRAFT COMPONENTS CORP.

Your Connector Consultant Since 1962

CATALOG
102

CATALOG
202

CATALOG
302

CATALOG
402

CATALOG
601

CATALOG
802

Try Our Other Connector Products

SCP 5015
vStyle
Connectors

SCPT 26482 Style
SC1 38999 Series I
SC2 38999 Series II
SC39 38999 Series III

SCPB Series

Connector
Accessories

Connectors
with Integrated
Backshells

AS95234
Reverse
Bayonet
Connectors

Get All of Our Catalogs & Product Brochures on One Disc



SPACECRAFT COMPONENTS CORP.

Headquarters

3040 Clayton Street
North Las Vegas, NV 89032

Phone: 702.851.7600
Fax: 702.851.7620

Email: salesinfo@spacecraft.com
Web: www.spacecraft.com

Florida Office

4577 Nob Hill Road
Suite 106
Sunrise, FL 33351
Tel: 954.748.4540
Fax: 954.748.4128

South Carolina Office

25 Woods Lake Rd.,
Suite 403
Greenville, SC 29607
Tel: 954.748.4540
Fax: 954.748.4128

Italy Office

Spacecraft Components, sp A
Milan, Italy
+39 (335) 719.4512

MAY 2019
CAT-900

COMPILED AND PRODUCED BY SPACECRAFT COMPONENTS CORP.
©2019 SPACECRAFT COMPONENTS CORP., NORTH LAS VEGAS, NV 89032